

Installation Instructions for Cirrus Float End Feed

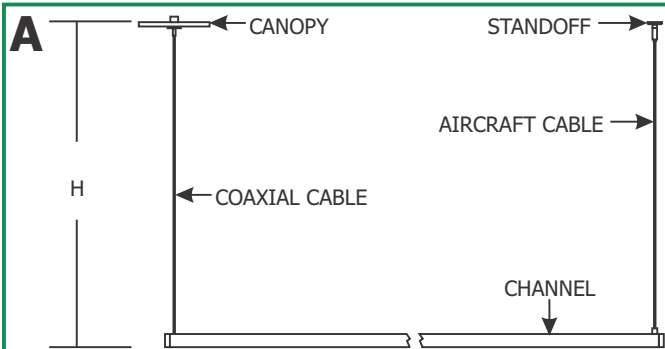
IMPORTANT INFORMATION

- This product is suitable for indoor locations.
- This instruction shows a typical installation.
- Ensure that power to the junction box is **OFF** before beginning any electrical work.

SAVE THESE INSTRUCTIONS!



Install the Fixture

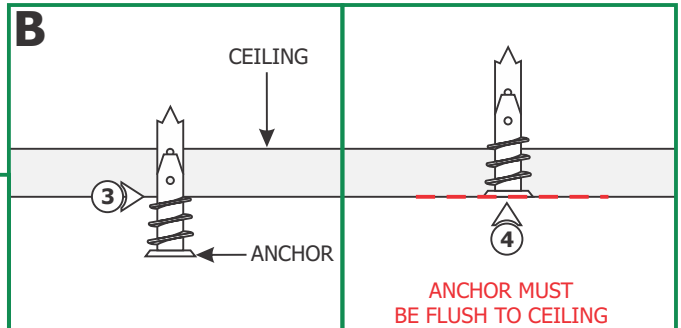


1: Measure the distance between the coaxial cable and the aircraft cable mounted on the channel. This measurement varies on the fixture length.

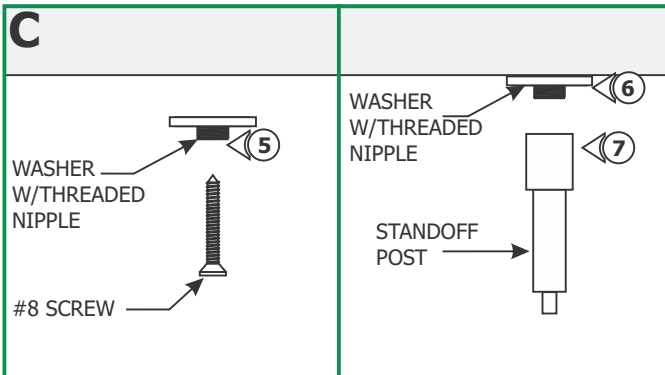
2: Mark the standoff location from the center of the electrical box for the distant achieved on step 1.

3: Tap the anchors onto the marked points up to the threaded portion with a hammer.

4: Screw in the threaded portion of the anchors with a Phillips screwdriver.



ANCHOR MUST BE FLUSH TO CEILING

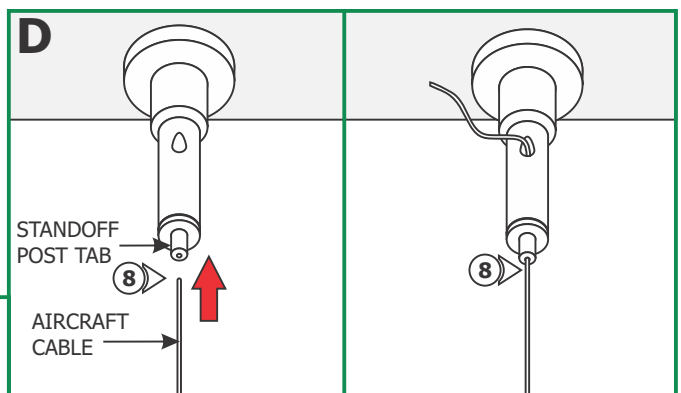


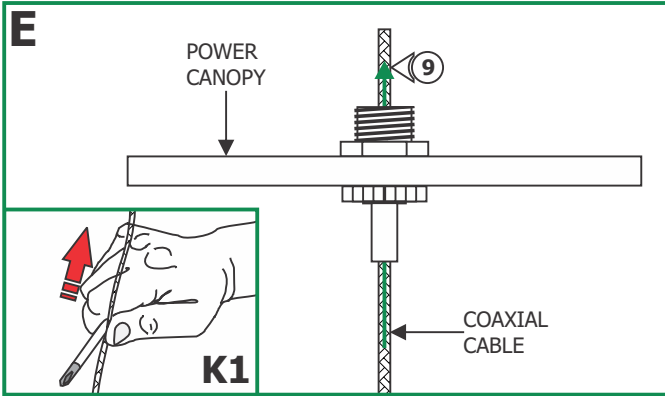
5: Feed the #8 screw through the washer w/threaded nipple into the anchor.

6: Tighten the #8-32 screw completely into the anchor.

7: Tighten the standoff posts completely onto the threaded

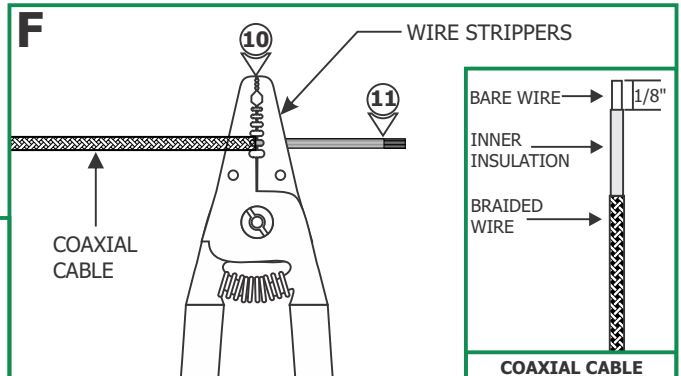
8: Push the tab on standoff and feed the aircraft cable from the channel into a standoff, to hold the one end of the fixture in place.





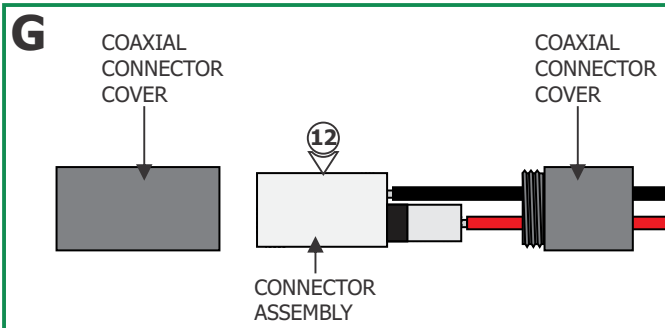
9: Feed the coaxial cable through the power feed canopy.

NOTE: If cable is curled or kinked, straighten by holding between the shaft of a screwdriver and thumb and pulling the cable through (see inset **K1**)

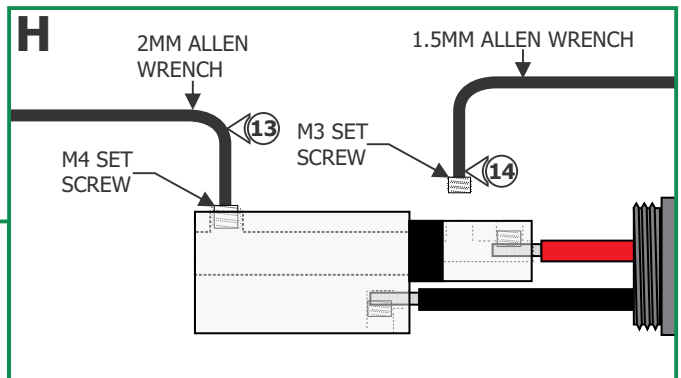


10: Using the 18 AWG hole of the wire strippers, remove 1" of the outer braided wire.

11: Using the 20 AWG hole of the wire strippers, remove 1/8" of inner plastic insulation from the end of the coaxial cable.

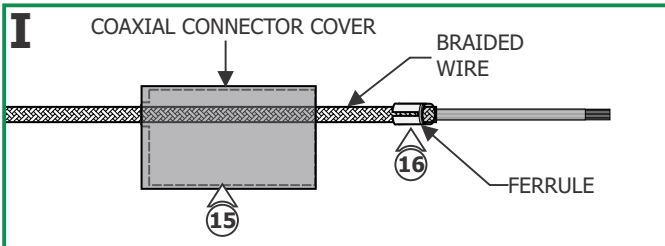


12: Unscrew the coaxial connector covers and remove from the connector assembly.



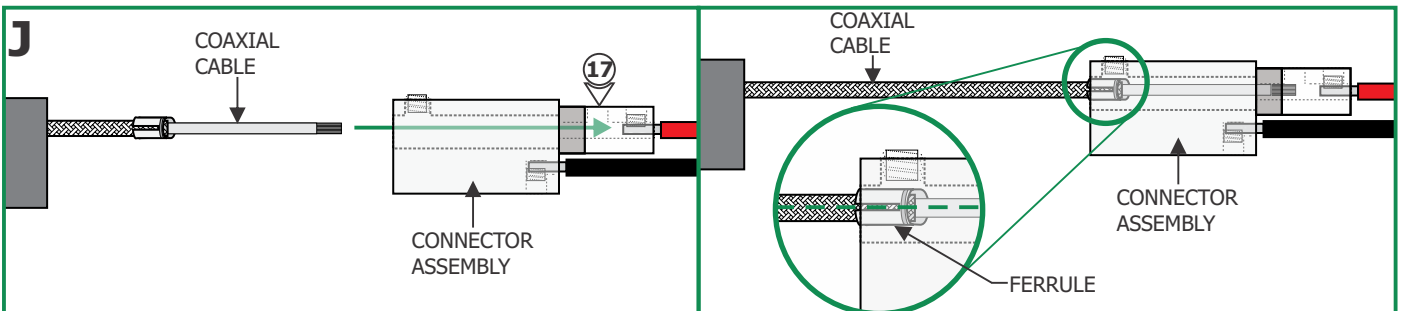
13: Using the provided 1.5mm Allen Wrench, remove the M3 set screw from the coaxial connector assembly.

14: Using the provided 2mm Allen wrench to loosen (do not remove) the M4 set screw.



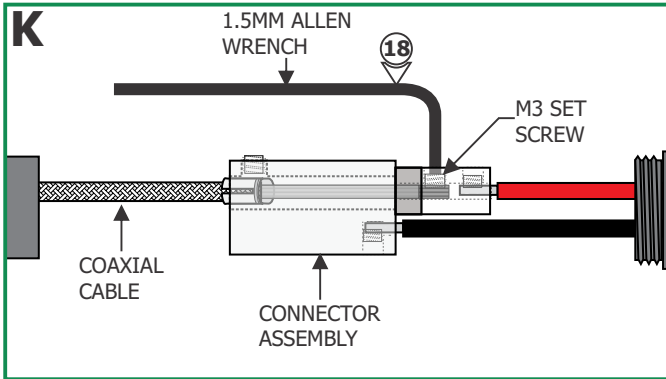
15: Slide the connector cover over the coaxial cable.

16: Place the ferrule over the braided wire of the coaxial cable.

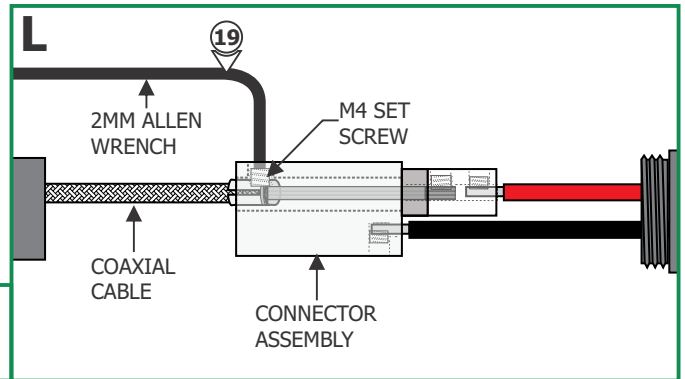


17: Insert the coaxial cable into the coaxial connector until the wires of the center conductor are visible through the M3 set screw hole.

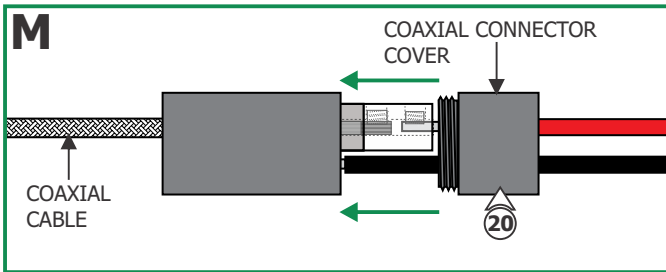
NOTE: Ensure that the split in the ferrule is aligned 90° from the M4 set screw (see inset).



18: Use the provided 1.5mm Allen wrench to replace and securely tighten the M3 set screw.



19: Use the provided 2mm Allen wrench to securely tighten the M4 set screw until it squeezes the wire ferrule tightly to the coaxial cable.



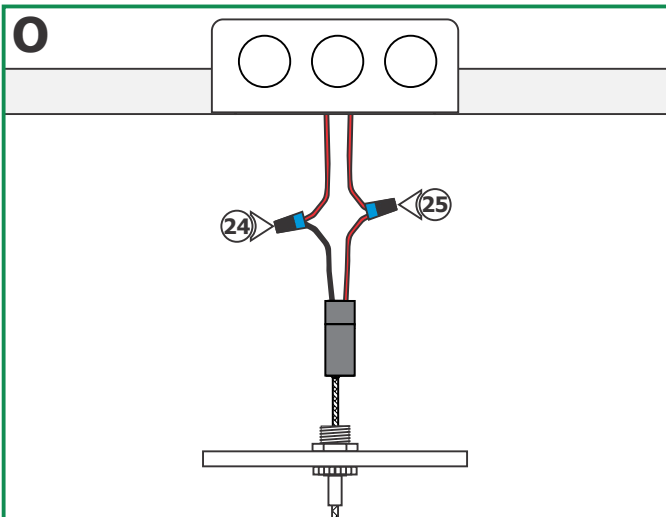
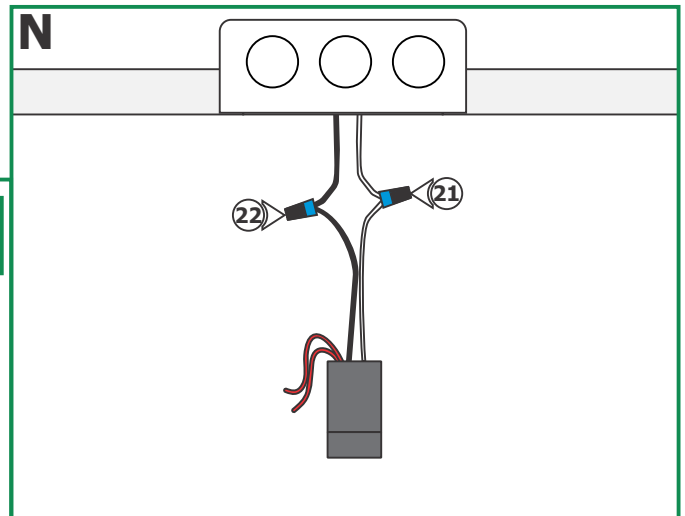
20: Replace the coaxial connector cover and tighten into place.

NOTE: Ensure that power to the junction box is **OFF** before beginning any electrical work.

21: Connect the white transformer wire to the neutral power wire with a wire nut.

22: Connect the black transformer wire to the hot power wire with a wire nut.

23: Place the transformer and transformer wires inside the junction box.

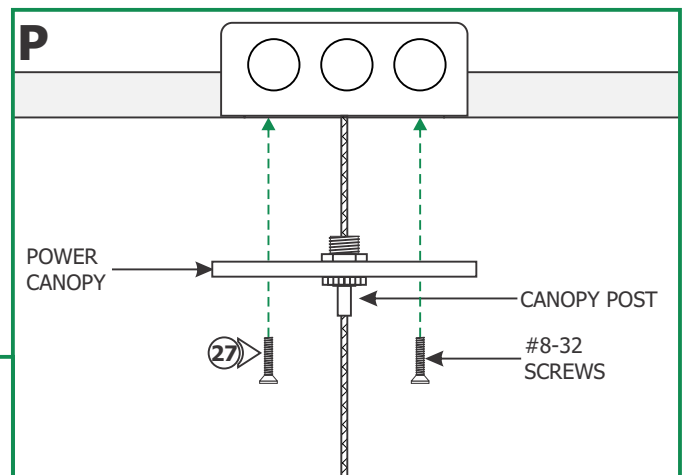


24: Connect one red transformer wire (either one) to the black coaxial connector wire using a wire nut

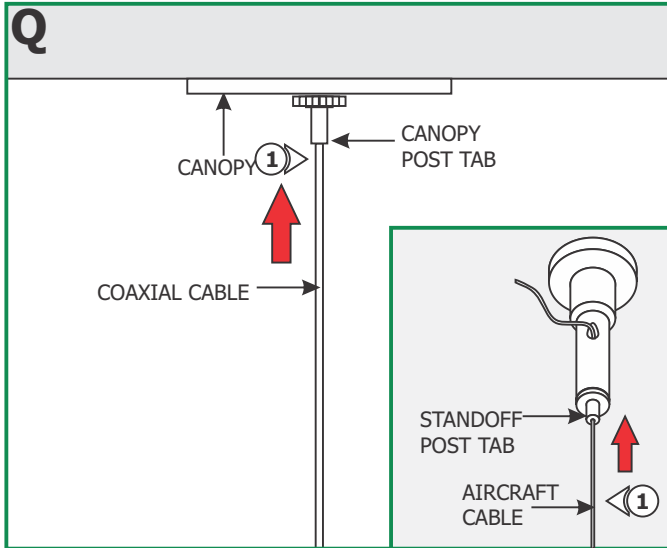
25: Connect the other red transformer wire to the red coaxial connector wire using a wire nut.

26: Place all connections into the junction box.

27: Secure the power canopy to the junction box using two #8-32 screws.



Height Adjustments



- 1:** Adjust the fixture height by pushing the aircraft cable & coaxial cable in to the standoff posts & canopy post.
- 2:** If necessary push the tab on the standoffs & canopy post to release the wire.

GENERAL WIRING DIAGRAM

