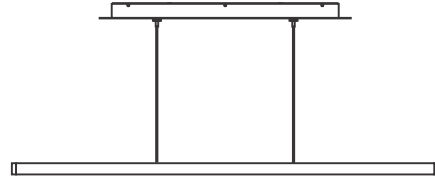


Installation Instructions for Cirrus Float Stick Center Feed

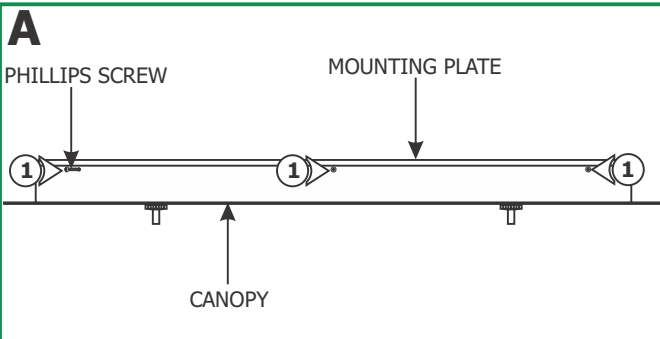
IMPORTANT INFORMATION

- This product is suitable for indoor locations.
- This instruction shows a typical instruction.

SAVE THESE INSTRUCTIONS!

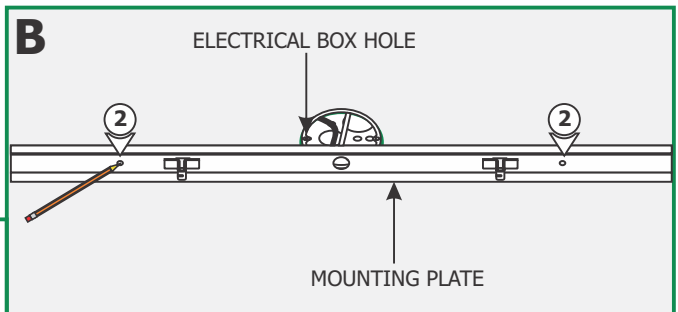


Install the Fixture

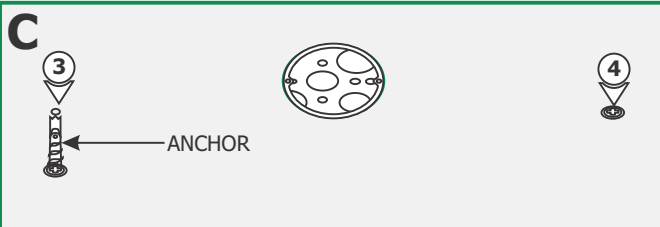


NOTE: It is recommended more than one person to assist in this installation

- 1:** Loosen and remove the six Phillips screws from the canopy to remove the mounting plate.



- 2:** Align the mounting plate holes with the electrical box holes and mark a point through the mounting plate holes onto the ceiling. These points are used for the anchors.

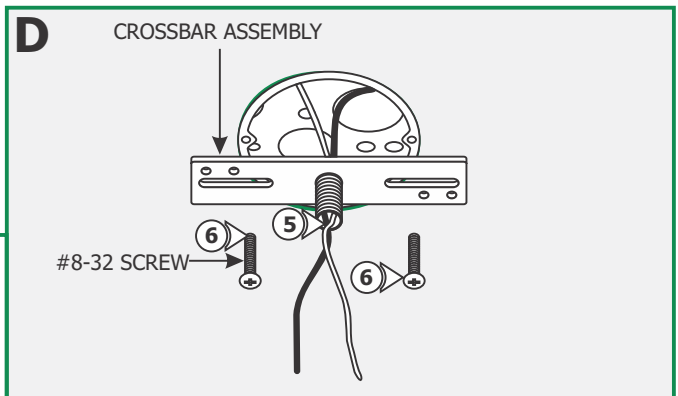


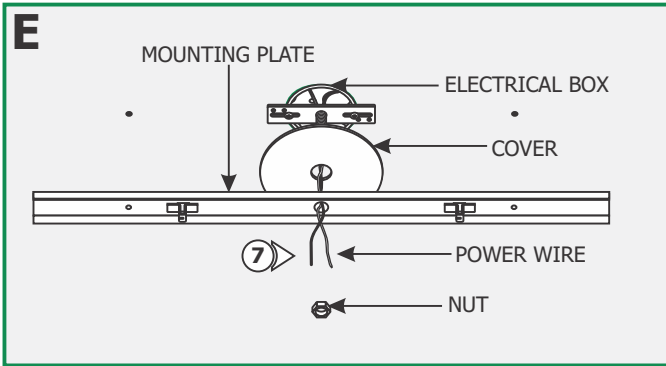
- 3:** Tap the anchors onto the marked points up to the threaded portion with a hammer.

- 4:** Screw in the threaded portion of the anchors with a Phillips screwdriver.

- 5:** Feed the power wires through the crossbar assembly center hole.

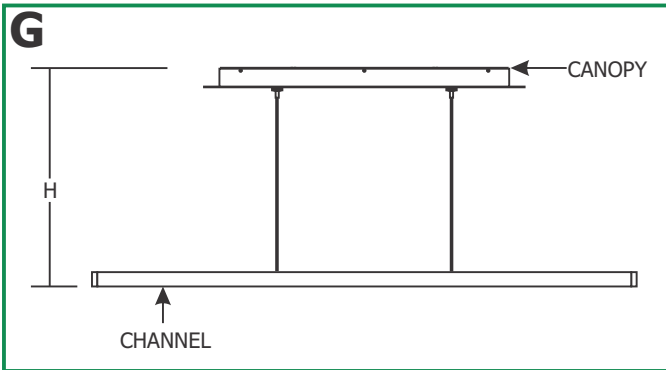
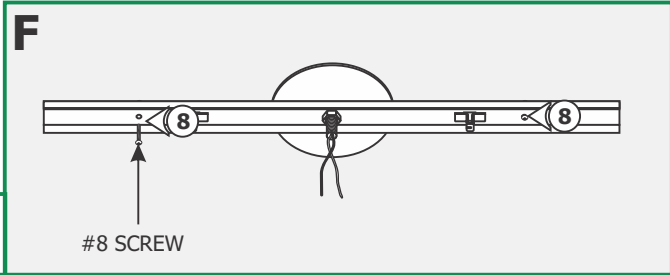
- 6:** Mount the crossbar assembly to the electrical box holes with the provided #8-32 screws.





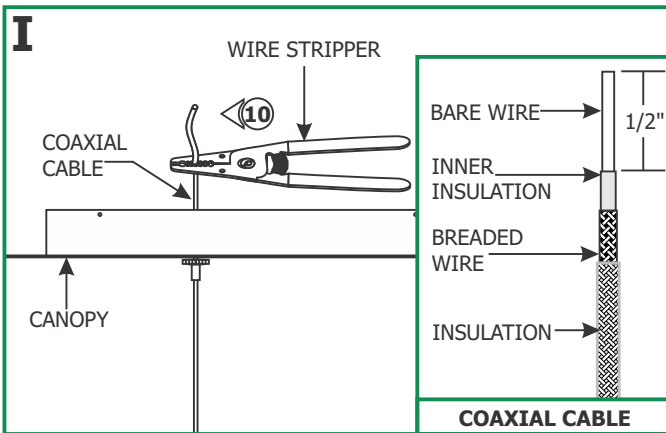
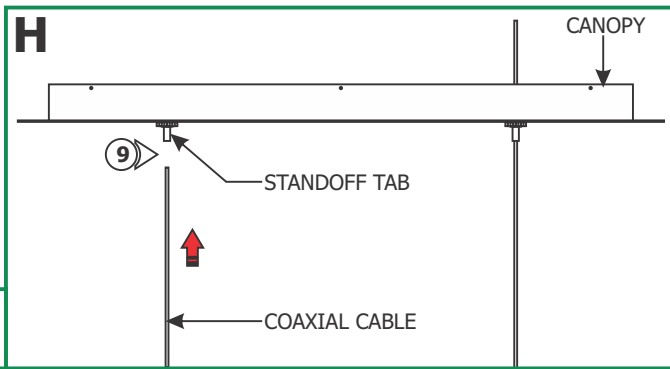
7: Slide the cover and mounting plate center hole onto the crossbar threaded nipple and secure it with the nut provided.

8: Secure the mounting plate to the anchors with the provided #8 screws.

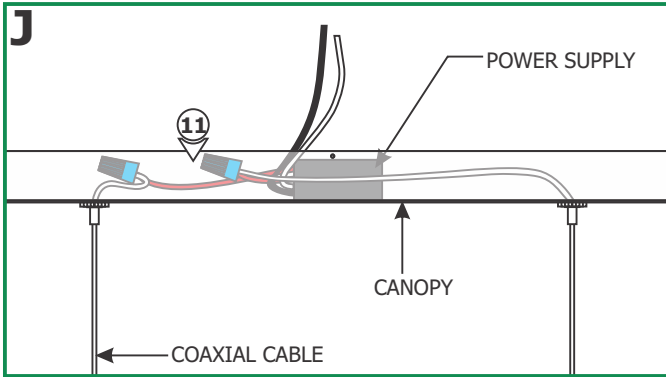


NOTE: Determine the fixture height (H), from the bottom of the channel to the top of the canopy.

9: Push each coaxial cable through each cord grip inside the canopy. Push the tab cord grip to release the cord.

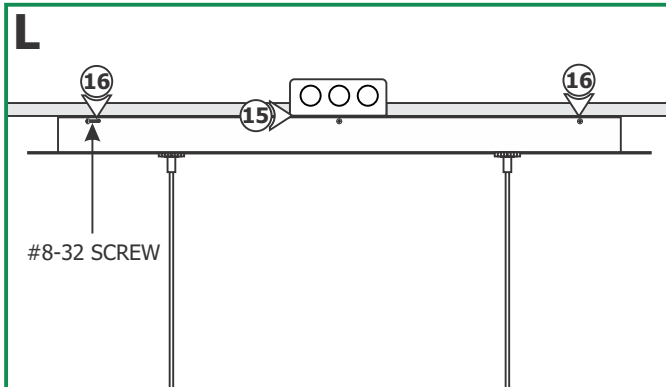
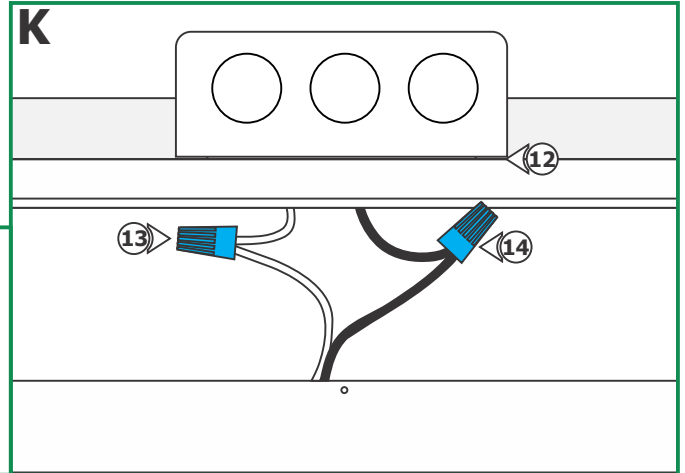


10: Use the #16 gauge hole of the AWG wire strippers to strip 1/2" of the insulation along with braided wire and inner wire insulation.



11: Connect each coaxial cable bare wire to the low voltage red power supply wires with a wire nut.

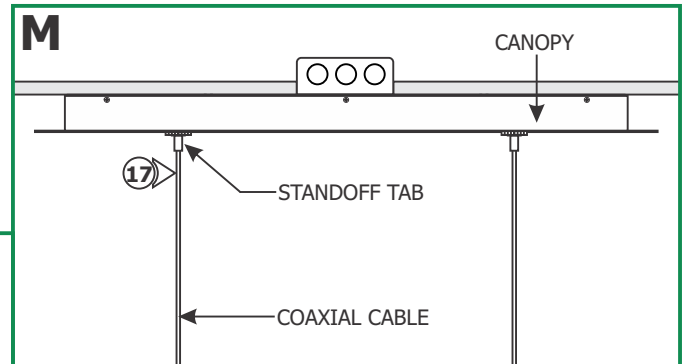
- 12:** Make sure the mounting plate is grounded in accordance with local electrical codes.
- 13:** Connect the white transformer wire to the neutral power wire with a wire nut.
- 14:** Connect the black transformer wire to the hot power wire with a wire nut.



15: Place all the wires and wire nut connections inside the canopy.

16: Align and secure the canopy to the mounting plate by tightening the six #8-32 screws.

17: To make any adjustments to the fixture height, push the tabs on the canopy to slide the fixture up and down until the desired height is achieved. Release the tab to lock the coaxial cable in place.



GENERAL WIRING DIAGRAM

