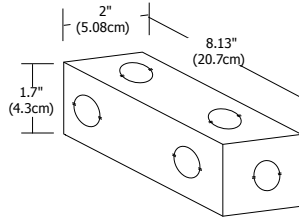


# 60W/24VDC Power Supply

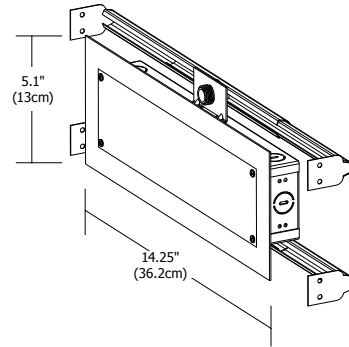
# PSB-60W-ELV-24VDC



PSB-60W-ELV-24VDC



PSB-60W-ELV-24VDC



PSB-60W-ELV-24VDC-IW

### 60W, 24VDC LOW VOLTAGE WIRE SIZE CHART: 3% VOLTAGE DROP

WIRE LENGTH (FT)	UP TO 53FT	54FT-82FT	83FT-137FT	138FT-208FT
WIRE SIZE	14 AWG	12 AWG	10 AWG	8 AWG
VOLTAGE AT END OF WIRE	23.29VDC	23.28VDC	23.28VDC	23.28VDC

**Description:** LED power supplies transform and regulate power from a line voltage power source into low voltage power for use with LED lighting. The power supply accepts input voltage of 120 volts AC and outputs 24 volts DC power up to 60 watts. The low voltage output may be dimmed using an electronic low voltage dimmer (sold separately). The aluminum enclosure allows electrical connections to be made inside the box. Knockouts are provided for use with 1/2" conduit.

**Applications:** Indoor

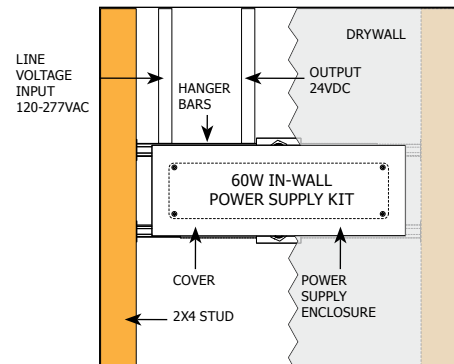
**Power Input:** 120 volts AC, 50/60Hz

**Power Output:** Class 2; 24 volts DC 2.5A, 60 watts maximum

**Dimensions:** PSB-60W-ELV-24VDC: 8.13" x 1.7" x 2"  
 PSB-60W-ELV-24VDC-IW: 5.1" x 3.5" x 14.25"

**Compatible Dimmers:**

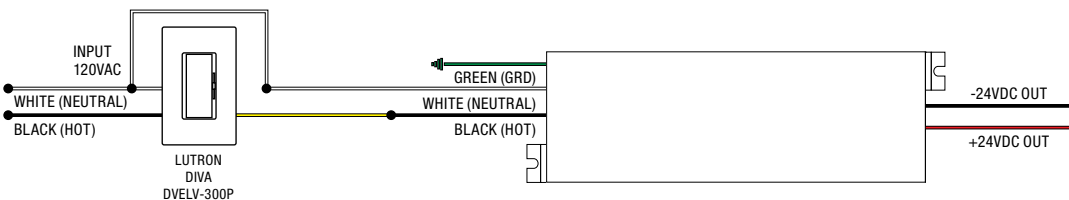
Electronic Low Voltage Dimmer Lutron: Diva #DVELV-300P;  
 Skylark #SELV-300P; Maestro #MAELV-600



PSB-60W-ELV-24VDC-IW

### 60W POWER SUPPLY ORDERING CODE

Product	Wattage	Dimming	Voltage	Options
<b>PSB</b>	<b>60W</b>	<b>ELV</b>	<b>24VDC</b>	Standard (Leave Blank)
<b>PSB</b> Power Supply with Enclosure Box	<b>60W</b> 60 Watt	<b>ELV</b> Electronic Low Voltage Dimming	<b>24VDC</b> 24 Volt DC	<b>IW</b> In-Wall Kit



COMPANY		FIXTURE TYPE		DATE	
PROJECT		APPROVED BY			

Product specification subject to change without notification. REV. 07.26.16

A Division of PureEdge Lighting 1718 W. Fullerton Chicago, IL 60614 • Ph: 773.770.1196 • Fax: 773.883.6128 • www.purelighting.com

