



1718 W. Fullerton Chicago, IL 60614  
 Ph: 773.770.1196 • Fax: 773.883.6128  
 www.pureedgelighting.com • info@pureedgelighting.com  
 © 2016 PureEdge Lighting. All Rights Reserved.

## Installation Instructions for **2 X 100 Watt 24 Volt DC Power Supply with ELV Dimming**



**SAVE THESE INSTRUCTIONS!**



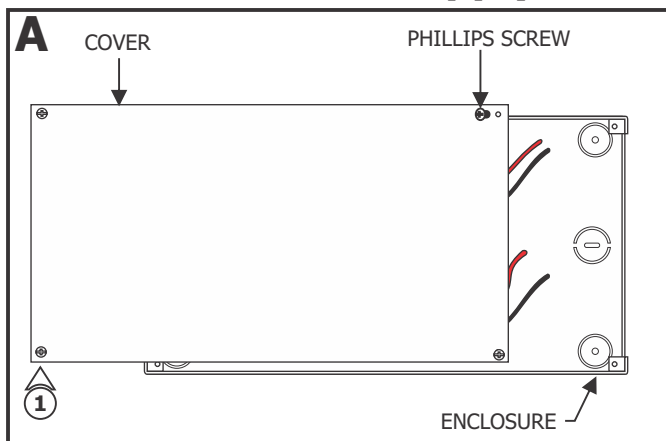
### GENERAL INFORMATION

- **RISK OF FIRE:** This product must be installed by a qualified electrician. Turn the power to the electrical box off during installation. Read the "Important Safety Instructions" before installation.
- **NOTE:** To avoid overheating the power supply, install it in a ventilated remote location where air flows. Maintain proper spacing among power supplies when multiple power supplies are installed in the same remote location.
- This product is not suitable for wet locations. It is approved for the use at any height above the finished floor.
- A typical installation is shown. Specific installation must be in accordance with the local electrical codes.
- **TO REDUCE RISK OF FIRE,** it is important to wire the power supply for the system as described in this installation instruction.

### IMPORTANT SAFETY INSTRUCTIONS

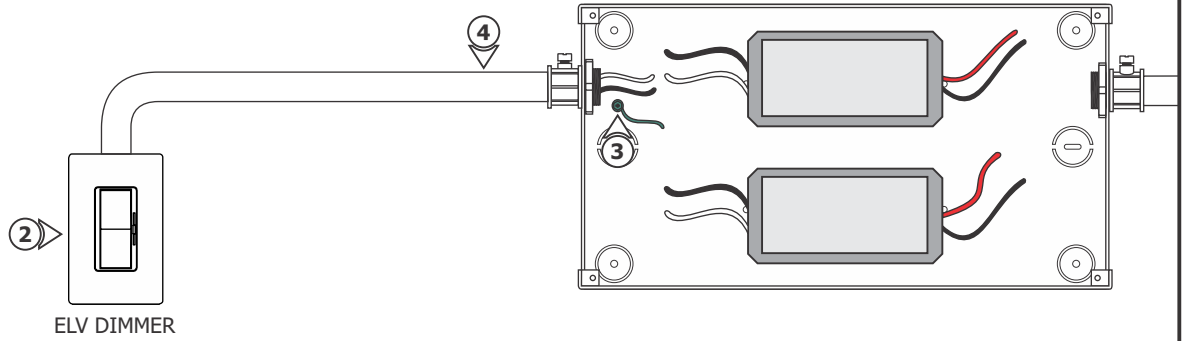
- Do not install this power supply in a wet location.
- To reduce the risk of the system overheating and possibly causing a fire, make sure all the connections are tight.
- Do not install \*LED fixture closer than three inches or as specified in the \*LED fixture installation instructions to curtains or similarly combustible materials. Keep insulation at least 3" away from the enclosure.
- Turn the electrical power off before modifying the lighting system in any way.
- \* See LED fixture installation instructions for proper placement.

## Install the Power Supply



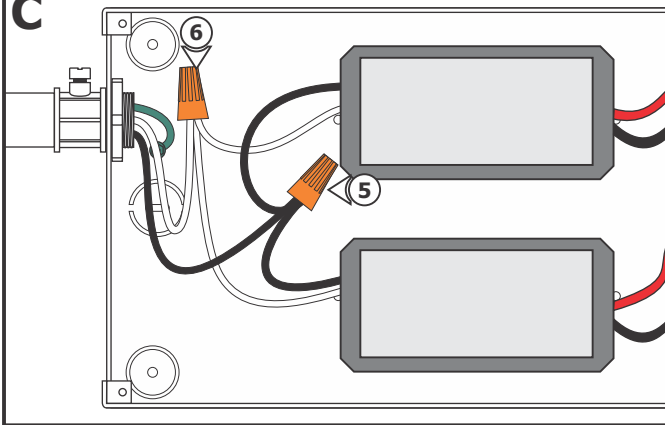
- 1:** Loosen the four Phillips screws on the front of the power supply cover to slide the cover off of the enclosure.

## B



- 2:** Install the ELV dimmer and run the line voltage wires from the dimmer to the enclosure box. (Refer to the ELV dimmer instructions and wiring diagram on page 3 for more info.)
- 3:** Ensure that the power supply enclosure is grounded in accordance with local electrical codes.
- 4:** Remove knockouts from power supply enclosures as required. Route 120VAC hot and neutral wires from the ELV dimmer to power supply enclosure.

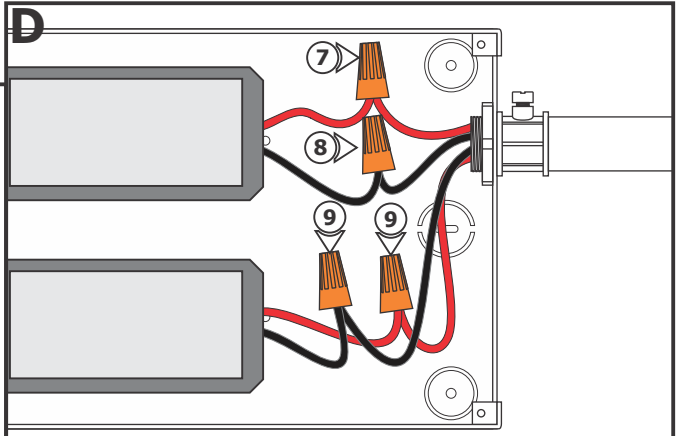
## C

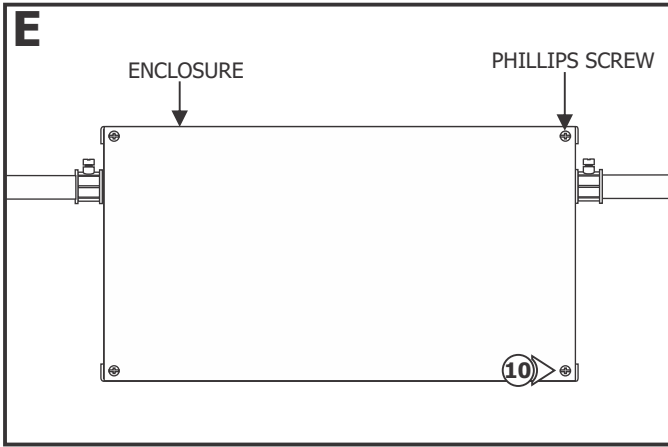


- 5:** Connect the 120VAC hot wire from the dimmer to the black wire of each power supply using a wire nut.
- 6:** Connect the 120VAC neutral wire from the dimmer to the white wire of each power supply using a wire nut.

**NOTE:** Use only 24 volt LED soft strip with this power supply.

- 7:** Connect the red (+24VDC) wire from one power supply to the red wires of one LED soft strip with a wire nut.
- 8:** Connect the black (-24VDC) wire from the same power supply to the black wires of the same LED soft strip with a wire nut.
- 9:** Repeat steps 7 and 8 for the other power supply and other LED soft strip.





**10:** Replace the power supply cover and secure it by tightening the four Phillips screws.

**Overall Wiring Diagram**

