



1718 W. Fullerton Chicago, IL 60614
 Ph: 773.770.1196 • Fax: 773.883.6128
 www.pureedgelighting.com • info@pureedgelighting.com
 © 2016 PureEdge Lighting. All Rights Reserved.

Installation Instructions for 24 Volt 100 Watt DC Power Supply



SAVE THESE INSTRUCTIONS!



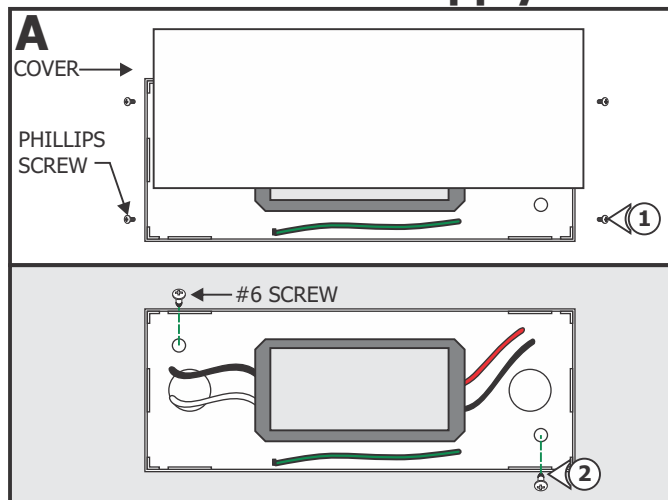
GENERAL INFORMATION

- **RISK OF FIRE:** This product must be installed by a qualified electrician. Turn the power to the electrical box off during installation. Read the "Important Safety Instructions" before installation.
- **NOTE:** To avoid overheating the power supply, install it in a ventilated remote location where air flows. Maintain proper spacing among power supplies when multiple power supplies are installed in the same remote location.
- This product is not suitable for wet locations. It is approved for the use at any height above the finished floor.
- A typical installation is shown. Specific installation must be in accordance with the local electrical codes.
- **TO REDUCE RISK OF FIRE,** it is important to wire the power supply for the system as described in this installation instruction.

IMPORTANT SAFETY INSTRUCTIONS

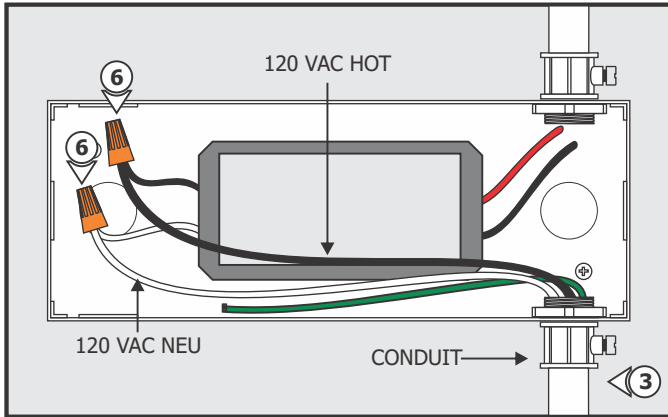
- Do not install this power supply in a wet location.
- To reduce the risk of the system overheating and possibly causing a fire, make sure all the connections are tight.
- Do not install *LED fixture closer than three inches or as specified in the *LED fixture installation instructions to curtains or similarly combustible materials. Keep insulation at least 3" away from the enclosure.
- Turn the electrical power off before modifying the lighting system in any way.
- * See LED fixture installation instructions for proper placement.

Install the Power Supply



1: Loosen the four Phillips screws on the sides of the power supply to remove the cover.

2: Secure the power supply case to the desired location with the two #6 screws provided.



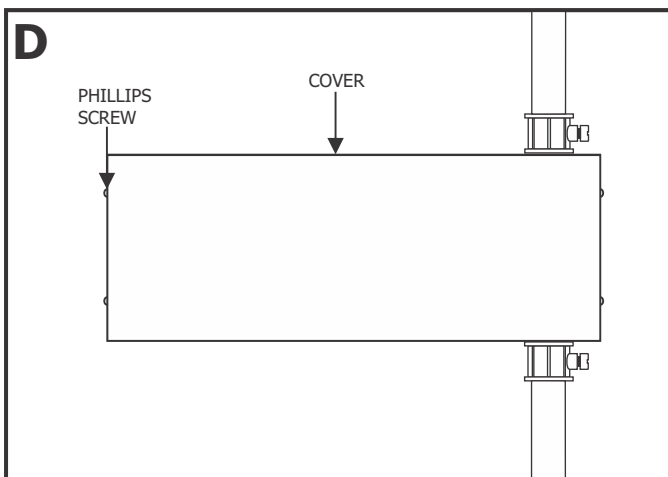
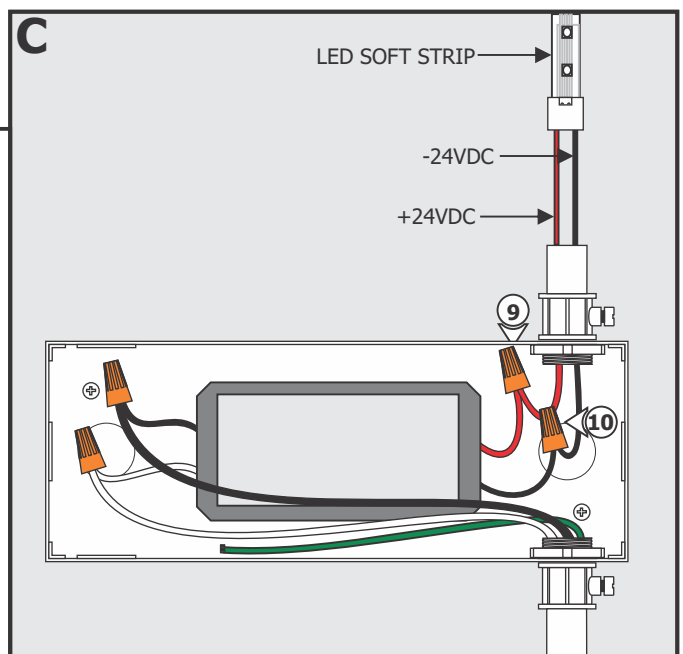
- 3:** Install a conduit and 120 VAC power wires from the panel to the power supply.
- 4:** **DO NOT** connect the power wires to the panel at this time.
- 5:** Ground the power supply housing in accordance with local electrical codes.
- 6:** Connect the white and black wires of the power supply to the 120 volt neutral and hot wires with wire nuts respectively.

NOTE: In order to use small gauge wires from the power supply to the LED fixture, it is recommended to install the power supply as near as possible to the LED fixture.

NOTE: Maximum circuit load is **100 Watts**.

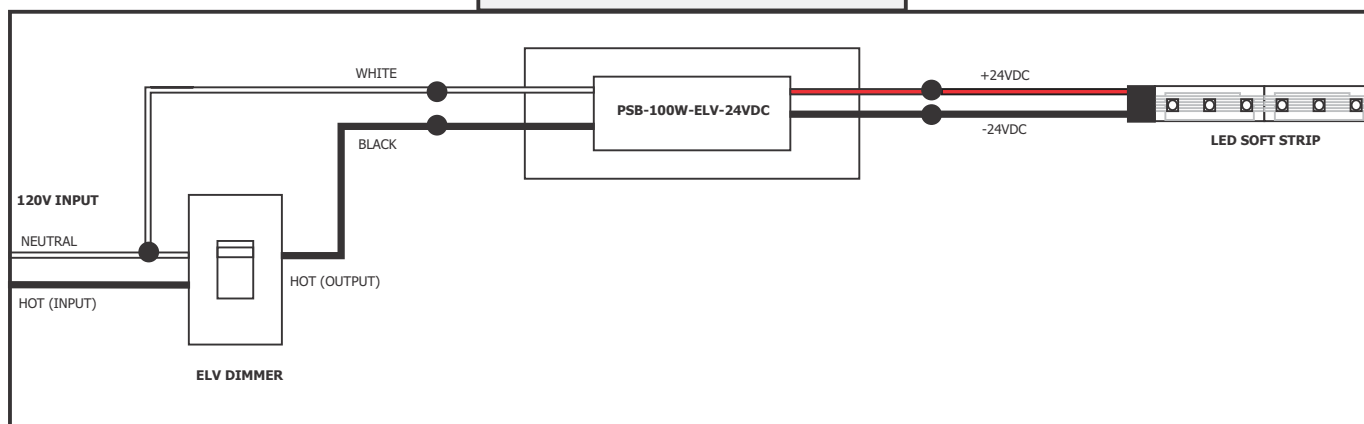
NOTE: Use only 24VDC LED products with this power supply.

- 8:** Use the "Low Voltage Wire Size Chart" below to determine the proper wire size connecting the power supply wires to the LED soft strip wires.
- 9:** Connect the red (+24VDC) power supply wire to the red wires of each LED soft strip with a wire nut.
- 10:** Connect the black (-24VDC) power supply wire to the black wire of each LED soft strip with a wire nut.



- 11:** Replace the power supply cover and tighten the four Phillips screws on top of the cover.
- 12:** Connect the 120 volt power wires at the panel.
- 13:** Turn on the power.

Overall Wiring Diagram



LOW VOLTAGE WIRE SIZE CHART

TRANSFORMER VOLTAGE	WIRE SIZE UP TO 32 FT	WIRE SIZE FOR 33-49 FT	WIRE SIZE FOR 50-82 FT
100 Watt 24 Volt	#14 GA	#12 GA	#10 GA