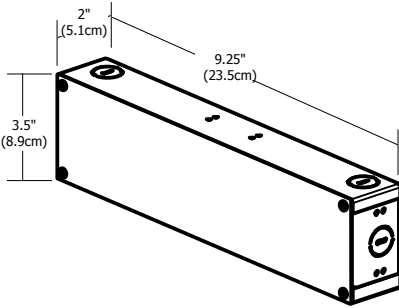


REV01.04.16



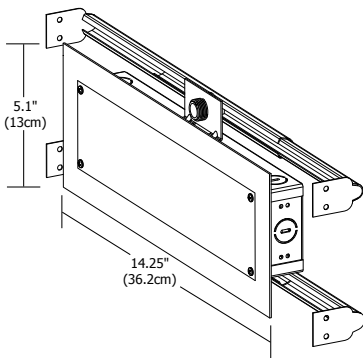
PSB-100W-ELV-24VDC



PSB-100W-ELV-24VDC



PSB-100W-ELV-24VDC IW



PSB-100W-ELV-24VDC-IW

Description:

LED power supplies transform and regulate power from a line voltage power source into low voltage power for use with LED lighting. The PSB-100W-ELV-24VDC power supply accepts input voltage in range of 120 volts AC and outputs 24 volts DC power up to 96 watts. The power supply can be used as a dimmable or non-dim power supply. In-Wall Power Supply Kit includes power supply, box cover and stud hangers for installing junction box in wall.

Applications:

Indoor

Power Input:

120VAC, 50/60Hz

Power Output:

Class 2; 24 volts DC 4A, 96 watts maximum

Dimensions:

PSB-100W-ELV-24VDC: 9.25" x 3.5" x 2"

PSB-100W-ELV-24VDC-IW: 14.25 x 5.1" x 2.1"

Dimmer Type:

Legrand: Adorne ADTP703TU

Lutron: Diva DVELV-300P, Skylark SELV-300P, Maestro MAELV-600 and Radio RA 2

Product	Wattage	Dimming	Voltage	Options
PSB	100W	ELV	24VDC	Standard (Leave Blank)
<small>PSB Power Supply with Enclosure Box</small>	<small>100W 96 Watt</small>	<small>ELV Electronic Low Voltage Dimming</small>	<small>24VDC 24 Volt DC</small>	<small>IW In-Wall Kit</small>

96W, 24VDC LOW VOLTAGE WIRE SIZE CHART: 3% VOLTAGE DROP

WIRE LENGTH (FT)	UP TO 33FT	34FT-52FT	53FT-86FT	87FT-130FT
WIRE SIZE	14 AWG	12 AWG	10 AWG	8 AWG
VOLTAGE AT END OF WIRE	23.28VDC	23.29VDC	23.28VDC	23.28VDC

PROJECT:

FIXTURE TYPE:

DATE:

