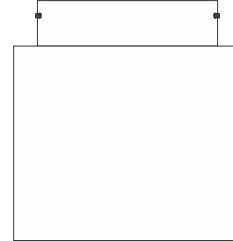


Installation Instructions for Blocco and Coupe LED

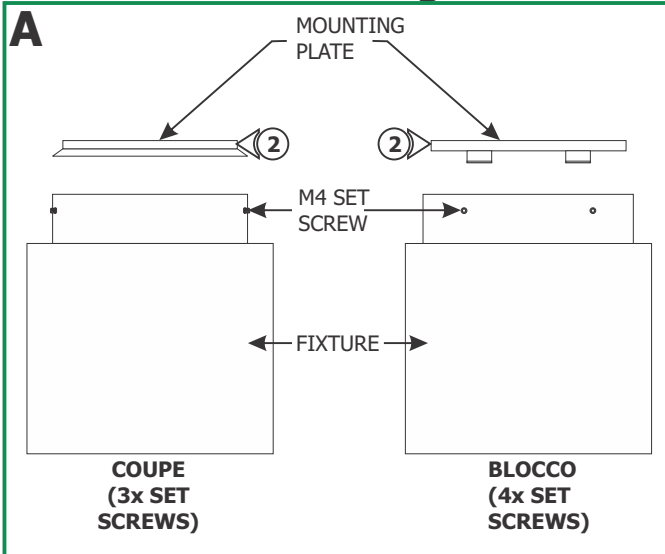
IMPORTANT INFORMATION

- This product is ETL listed for indoor dry locations.
- This product is ceiling-mount only.
- This product can be dimmed with an electronic low voltage dimmer.

SAVE THESE INSTRUCTIONS!

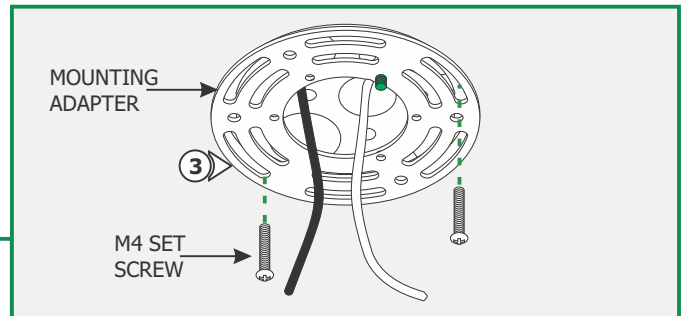


Install the Mounting Plate and Housing



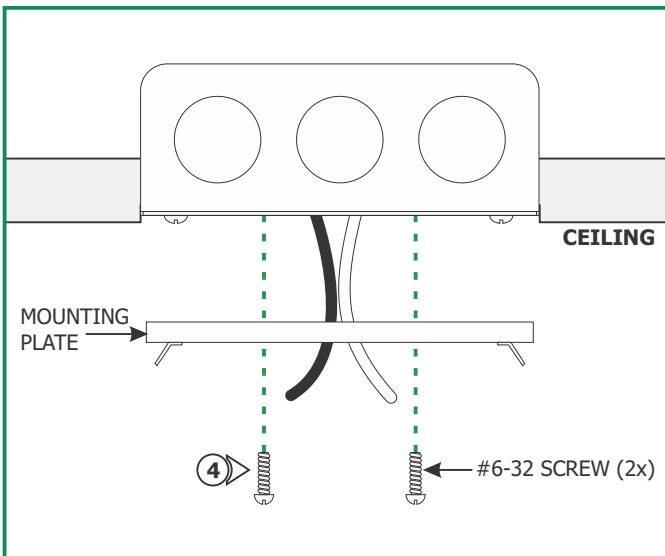
NOTE: Before beginning any electrical work, ensure that power to the junction box is turned **OFF**.

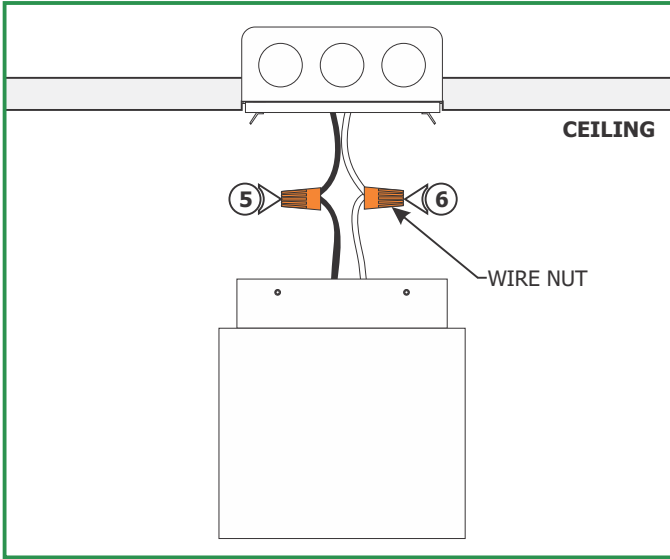
- 1: Loosen the M4 set screws using the 2mm Allen wrench.
- 2: Remove the mounting plate from the fixture.



- 3: If required, secure the mounting adapter to the electrical holes with the two #8-32 screws provided.

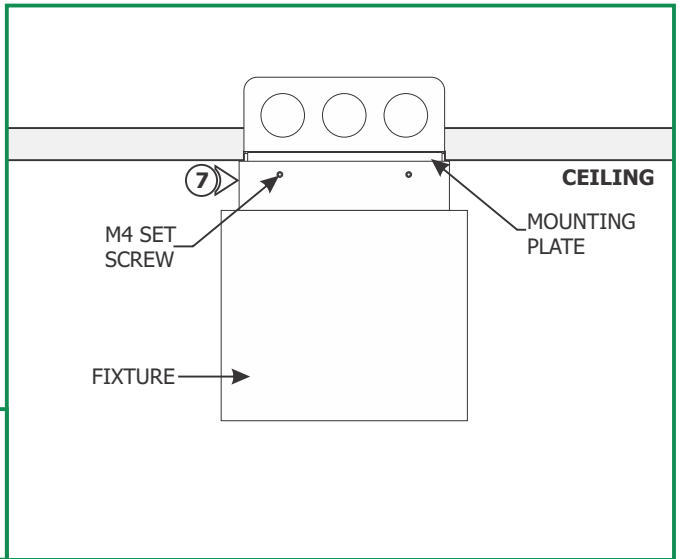
- 4: Feed the power wires through the center hole of the mounting plate and secure the plate to the mounting adapter using supplied 6-32 screws.





5: Connect the black 120VAC HOT wire to the black wire from the fixture power supply using a wire nut.

6: Connect the white 120VAC NEU wire to the white wire from the fixture power supply using a wire nut.



NOTE: Contains integrated LED consuming a total of 30 Watts

7: Place the fixture to the mounting plate and secure by tightening the M4 set screws using a 2mm Allen wrench.