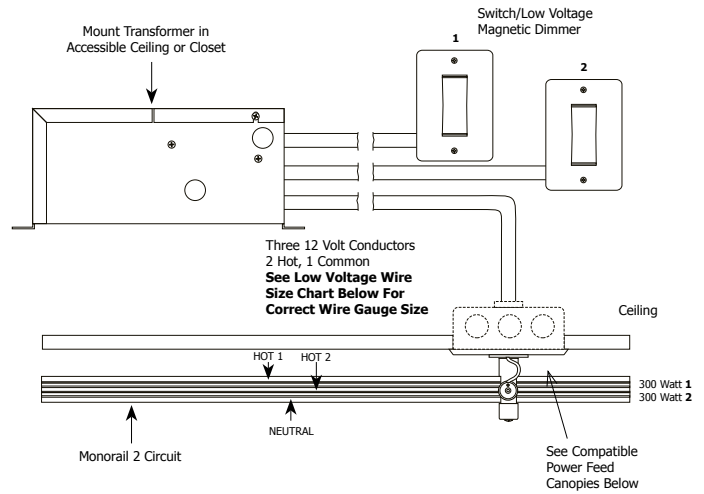
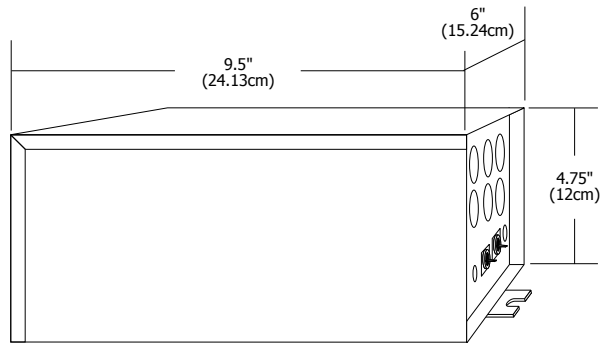


2X300W/12V MAGNETIC REMOTE TRANSFORMER

MONORAIL 2 CIRCUIT 12V
SINGLE FEED 2x300W
MAGNETIC 600W
TOTAL



T-2x300-12



LOW VOLTAGE WIRE SIZE CHART

Use to decide the correct copper wire size for a recommended 3 percent voltage drop. The length shown is the length of wire from the transformer to the power feed canopy/J-Box.

12 Volt	5 ft. (1.5m)	6-15 ft. (1.8-4.6m)	16-20 ft. (4.9-6.1m)	21-40 ft. (6.4-12.2m)
300 Watt	#10 GA	#6 GA	#4 GA	#1 GA

Description:

600 watt remote magnetic transformer converts two line voltage inputs to two low voltage 12 volt, 300 watt outputs for powering a Monorail 2 Circuit system. Power feed or power feed canopy required, sold separately. Protected by fast acting secondary circuit breaker.

Installation:

The remote transformer must be installed in an accessible location (such as an attic or in a closet). To prevent voltage drop it is best to keep transformer within 20 ft of power canopy/junction box. The electrician must supply the correct gauge wire from the transformer to the power feed/junction box location based on the length of conductor. See Low Voltage Wire Size Chart above.

Dimming:

Two 450 watt magnetic low-voltage dimmers must be used when dimming is desired. The dimmer is powered on the line voltage side of the transformer. Some buzzing may occur on low levels and may be reduced with two dimming de-buzzing coils (#TDB-300), sold separately. System not dimmable only when one circuit uses halogen fixtures and the other circuit uses LED fixtures. All other combinations are dimmable.

Weight:

24.20 lb (10.97 kg)

Ordering Code

T	-	2x300	-	12	-	Standard 120V (leave blank)
T Remote Transformer		2x300 600 Watt		12 12 Volt		2 230V 50Hz 3 277V 60Hz P Plug-In

Compatible Power Feed Canopies							
	M2P Monorail 2-Circuit Power Feed	-	4RD 4" Round Canopy	-	1 1" (2.5cm) 6" (15.2) 12" (30.5cm) 24" (61cm) 36" (91.4cm) 48" (122cm) 96" (243.8cm)	-	SN Satin Nickel PN Polished Nickel BZ Antique Bronze
	M2P Monorail 2-Circuit Power Feed	-	4RD 4" Round Canopy	-	A 12' (3.7m) Adjustable Cable	-	SN Satin Nickel PN Polished Nickel BZ Antique Bronze
	M2P Monorail 2-Circuit Power Feed	-	4RD 4" Round Canopy	-	FE FE Feed End	-	SN Satin Nickel PN Polished Nickel BZ Antique Bronze
	M2P Monorail 2-Circuit Power Feed	-	4RD 4" Round Canopy	-	ME ME Adjustable Monorail Feed End	-	SN Satin Nickel PN Polished Nickel BZ Antique Bronze

PROJECT:

FIXTURE TYPE:

DATE:

