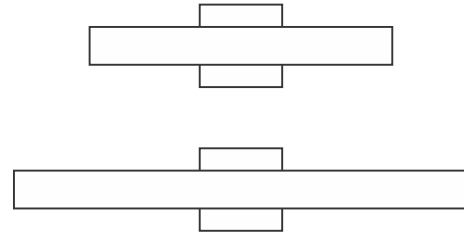


## Installation Instructions for Alpha 16 and 24 (Fluorescent Version)

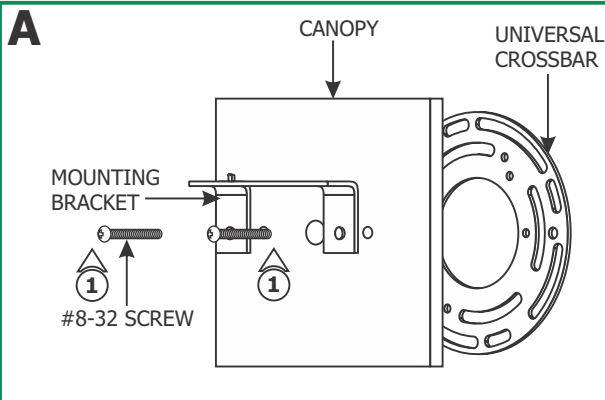
### IMPORTANT INFORMATION

- This product is ETL listed for dry locations only.
- This product is wall mounted only.
- This product can mount to either a 4" square electrical box with round plaster ring or an octagon electrical box.

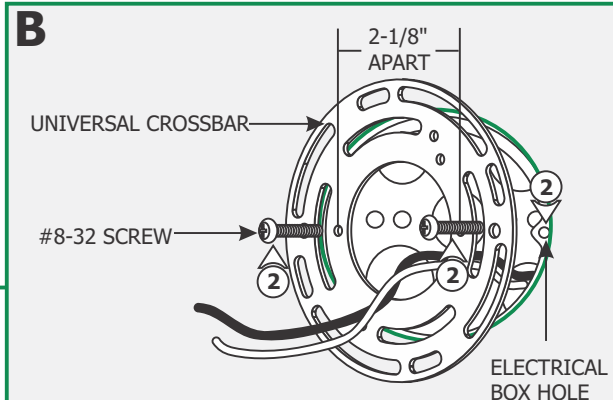
**SAVE THESE INSTRUCTIONS!**



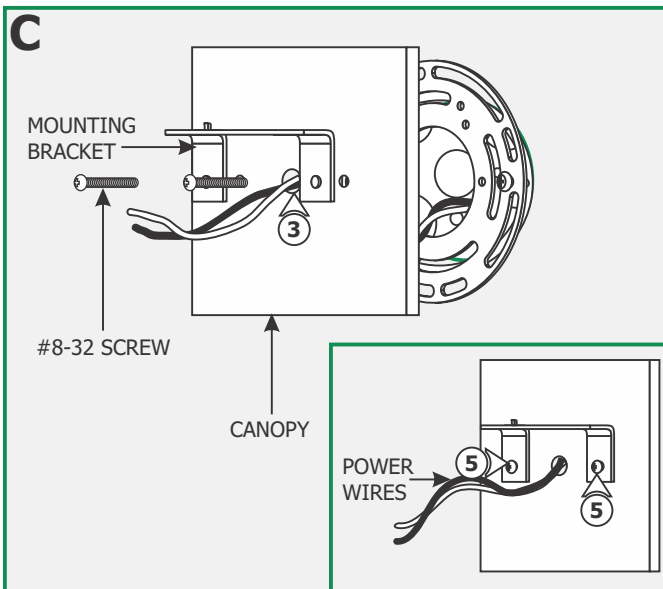
### Install the Fixture



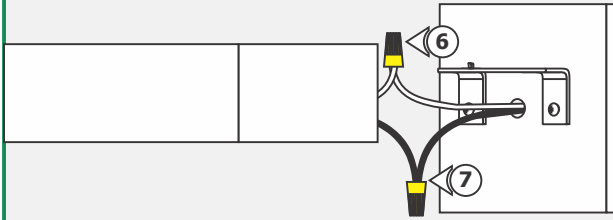
- 1:** Loosen the two #8-32 screws from the canopy to remove the universal crossbar.



- 2:** Mount the universal crossbar to the electrical box holes with the provided #8-32 screws so that the two inner threaded holes (spaced 2-1/8" apart) on crossbar are leveled horizontally.



- 3:** Feed the power wires through the canopy center hole.
- 4:** Make sure that the canopy is grounded in accordance with local electrical codes.
- 5:** Secure the canopy to the universal crossbar by tightening the two #8-32 screws through the mounting bracket holes into the two inner threaded crossbar holes.

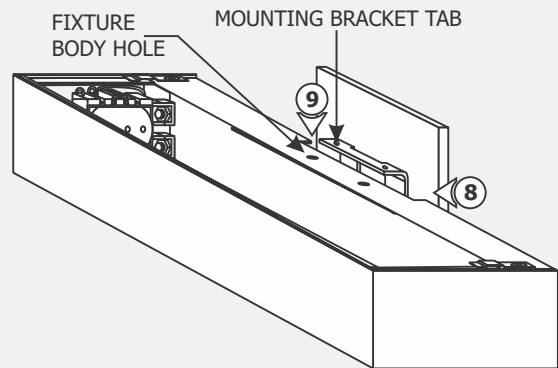
**D**

**6:** Connect the white fixture wire to the neutral power wire with a wire nut.

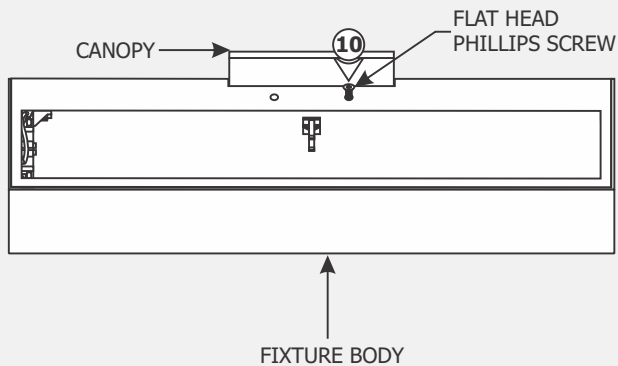
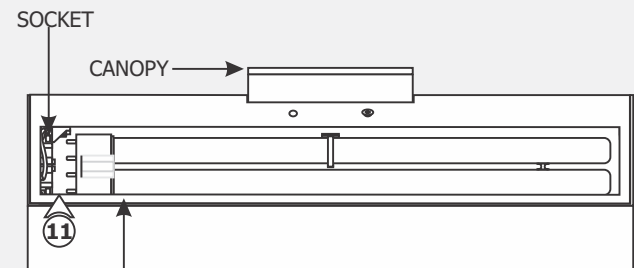
**7:** Connect the black fixture wire to the hot power wire with a wire nut.

**8:** Place all wires and wire nut connections behind the fixture body next to the ballast.


**9:** Place the left fixture body hole onto the mounting bracket tab.


**E**

**10:** Secure the right fixture body hole with the flat head Phillips screw provided.

**F****G**

**CAUTION:** To reduce risk of a burn or electrical shock during lamping, disconnect the power to the fixture.

For 16" version use **MAX 24** Watt Type 2G11 Base Compact Fluorescent Lamp. 

For 24" version use **MAX 40** Watt Type 2G11 Base Compact Fluorescent Lamp. 

**11:** Push the lamp pins completely into the socket holes and secure it by snapping into the spring clips.

**12:** Loosen the screws on the spring clips (**Do Not Remove**) to insert the glass cover under the clips. Slightly tighten the spring clip screws to secure the glass cover in place.

