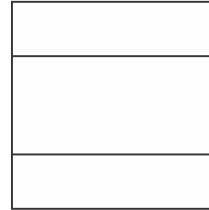


Installation Instructions for Alpha 4 (Halogen Version)

IMPORTANT SAFETY INSTRUCTIONS

To reduce the risk of fire, electrical shock, exposure to excessive UV radiation, or injury to persons:

- Use this fixture indoors only.
- Do not look directly at the lamp while the fixture is on.
- **RISK OF FIRE:** Use only the type of lamp and maximum wattage indicated in this instruction manual.
- Never cover the halogen lamp with anything other than a lamp shield provided by Edge Lighting and never place flammable material close to the fixture.
- Never turn the fixture on and off by connecting and disconnecting the halogen lamp.
- Do not touch the fixture head, shade or lamp shield while the fixture is on. These surfaces may be **VERY HOT**.
- Do not touch lamp at anytime. Use a soft cloth instead as oil from skin may damage lamp.
- It is normal for a new halogen lamp to produce minor smoke when first turned on.
- Turn power off and allow to cool before replacing lamp.

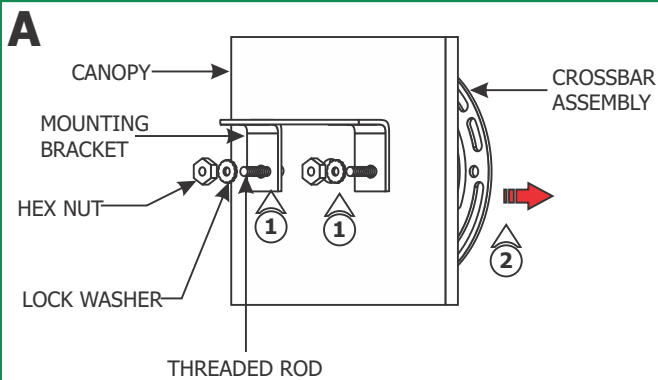


IMPORTANT INFORMATION

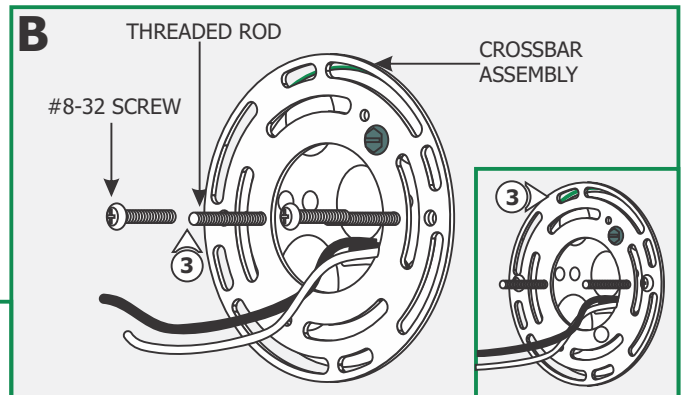
- This product is ETL listed for dry locations only.
- This product is wall mounted only.
- This product can mount to either a 4" square electrical box with round plaster ring or an octagon electrical box.
- This product can be dimmed with a standard incandescent dimmer.

SAVE THESE INSTRUCTIONS!

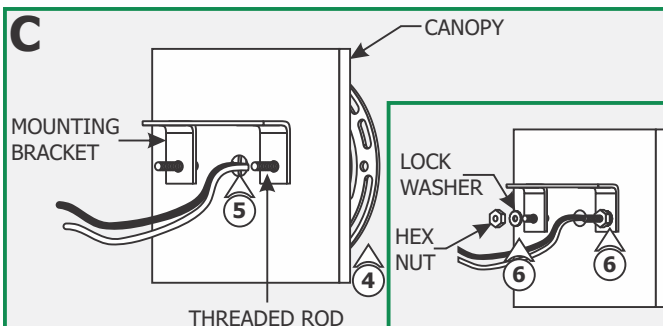
Install the Fixture



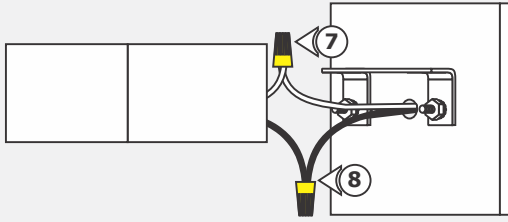
- 1: Remove the hex nut and lock washer on each threaded rod to remove the crossbar assembly and the mounting bracket.
- 2: Remove the crossbar assembly from the canopy and the mounting bracket.



- 3: Mount the crossbar assembly to the electrical box holes with the provided #8-32 screws so that the two threaded rods on crossbar are leveled horizontally.



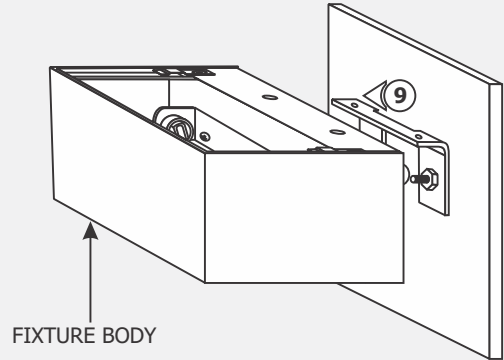
- 4: Make sure that the crossbar is grounded in accordance with local electrical codes
- 5: Feed the power wires through the canopy center hole.
- 6: Make sure the mounting bracket faces up while sliding the bracket holes onto the crossbar threaded rods. Secure the canopy in place by tightening the locker washer and hex nuts to the threaded studs.

D

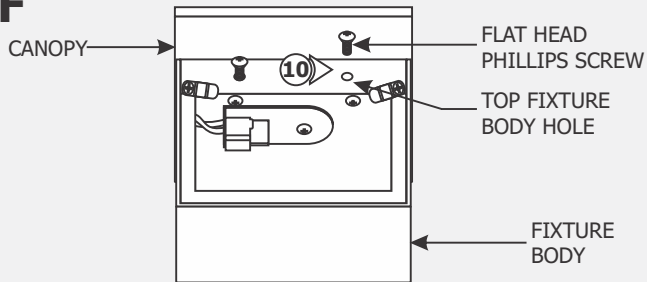
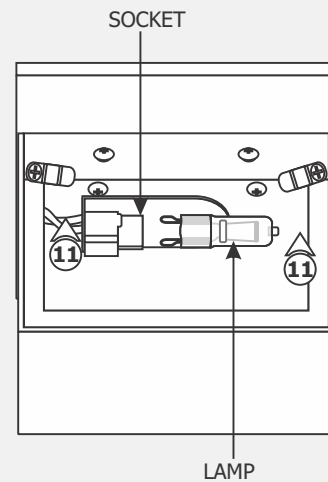
7: Connect the white fixture wire to the neutral power wire with a wire nut.

8: Connect the black fixture wire to the hot power wire with a wire nut.

9: Place all wires and wire nut connections behind the fixture body.

E

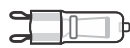
10: Align the top fixture body holes to the mounting bracket holes and secure it in place with the two provided Phillips screw.

F**G**

CAUTION: To reduce risk of a burn or electrical shock during lamping, disconnect the power to the fixture.

NOTE: Use only fingers and a soft cloth to install the lamps.

Use **MAX** 60 Watt Type T4, G9 Base, Bi-Pin Halogen Lamp.



11: Push the lamp pins completely into the socket holes.

12: Loosen the screws on the spring clips to slide the glass cover under the clips. Slightly tighten the spring clip screws to secure glass cover in place.

