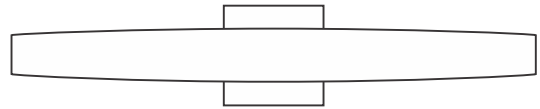


## Installation Instructions for Regal (Fluorescent Version)

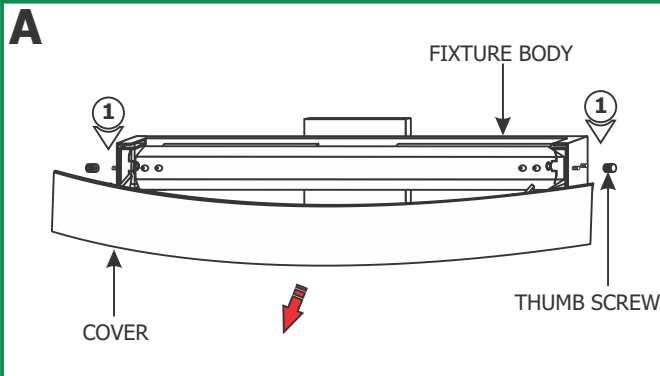
### IMPORTANT INFORMATION

- This product is ETL listed for dry locations only.
- This product is wall mounted only.
- This product can mount to either a 4" square electrical box with round plaster ring or an octagon electrical box.

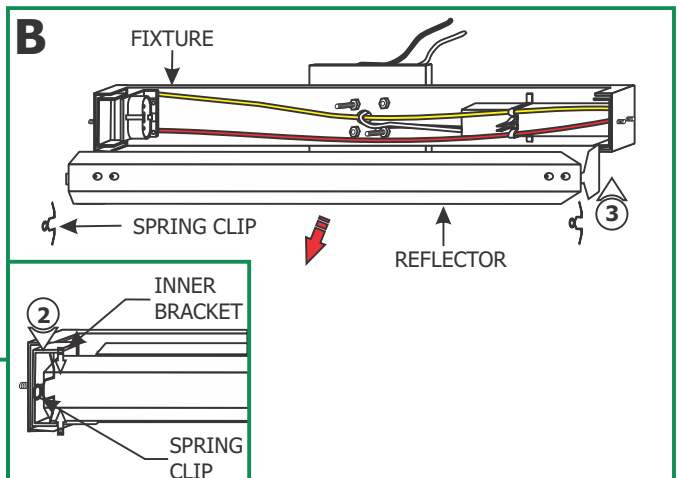
**SAVE THESE INSTRUCTIONS!**



### Install the Fixture

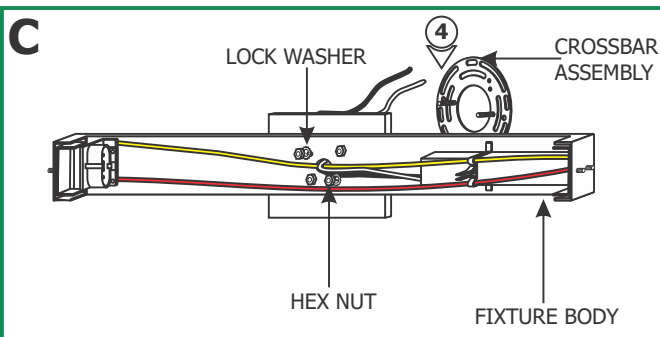


- 1:** Remove the two thumb screws on the sides of the fixture body to detach the cover.



- 2:** Squeeze the spring clip ends and remove them from the inner bracket.

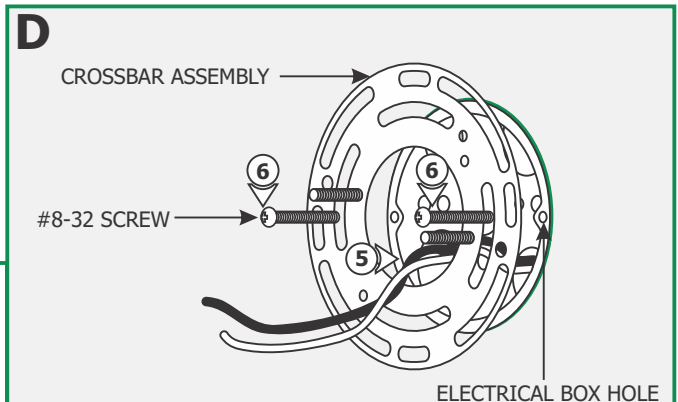
- 3:** Pull the reflector out.

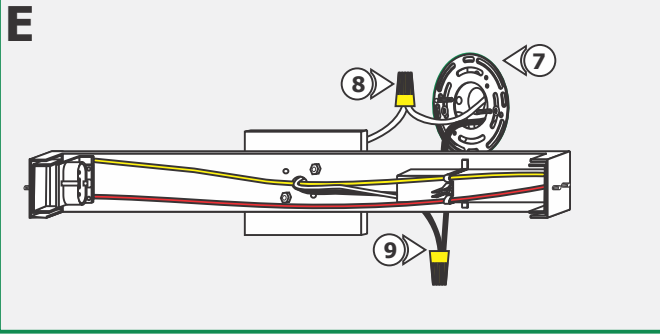


- 4:** Loosen (do not remove) the two M5 set screws on top of the fixture with the provided 2.5mm Allen wrench.

- 5:** Feed the power wires through the crossbar assembly center hole.

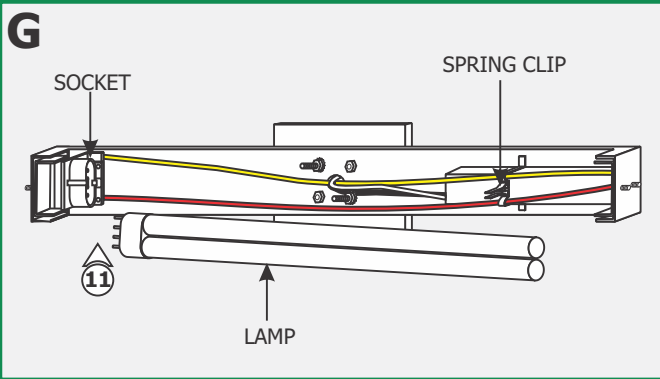
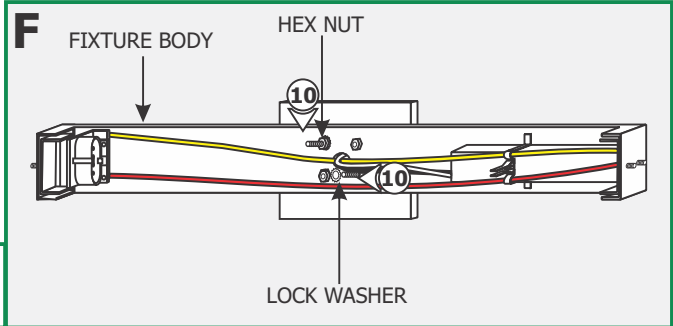
- 6:** Mount the crossbar assembly to the electrical box holes with the provided two #8-32 screws.





- 7:** Make sure that the crossbar is grounded in accordance with local electrical codes.
- 8:** Connect the white fixture wire to the neutral power wire with a wire nut.
- 9:** Connect the black fixture wire to the hot power wire with a wire nut.

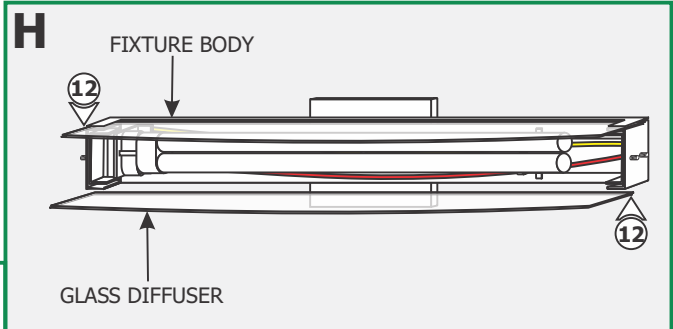
**10:** Secure the fixture body to the crossbar assembly by tightening the hex nuts and lock washers.



**CAUTION:** To reduce risk of a burn or electrical shock during lamping, disconnect the power to the fixture.

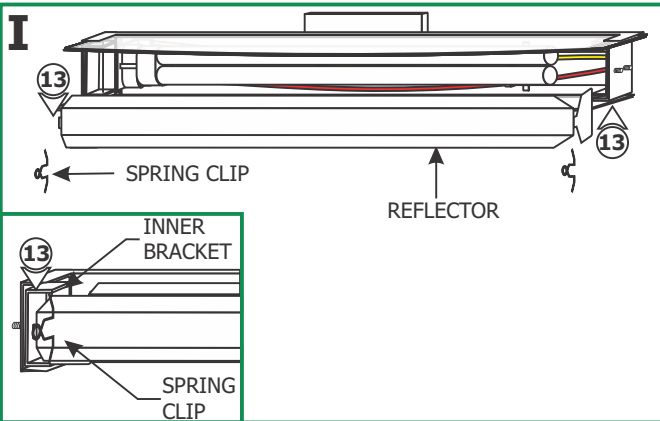
Use **MAX 24** Watt Type 2G11 Base Compact Fluorescent Lamp.

**11:** Push the lamp pins completely into the socket holes and secure it by snapping into the spring clips.



**12:** Insert the glass diffusers between the fixture body and inner bracket.

**13:** Align and insert the reflector ends into the inner bracket and secure it in place by replacing the spring clips.



**14:** Replace the cover and tighten the two thumb screws to the threaded rods to secure the cover in place.

