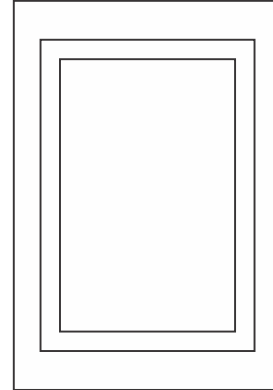


Installation Instructions for Plaza Large

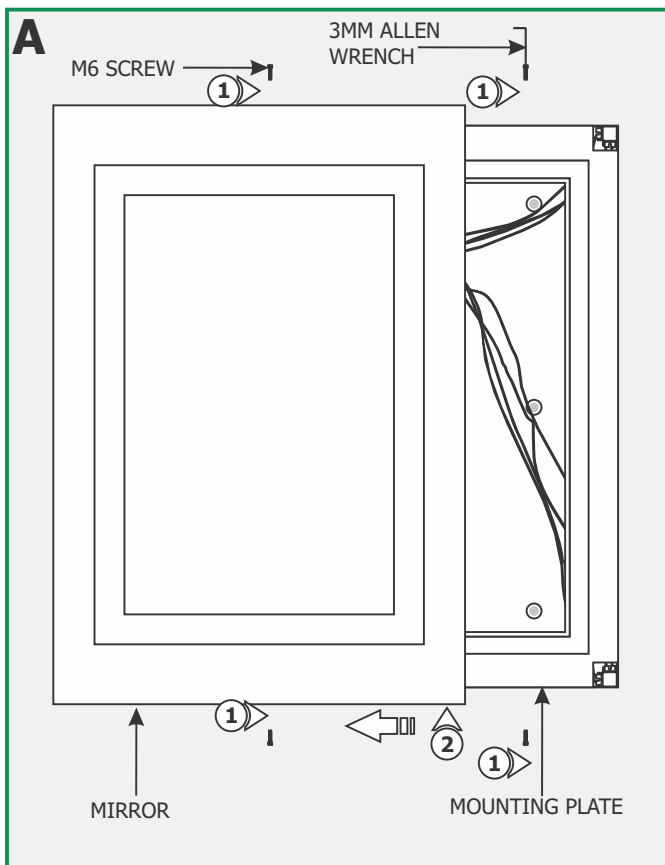
IMPORTANT INFORMATION

- This product is ETL listed for indoor dry locations.
- This product is wall mounted only.
- Supply power to mirror in accordance with local electrical codes.
- This instruction shows a typical installation.
- Only the PLAZA-L-F1D-__ models are dimmable (recommended dimmers are Lutron Nova NF-10 or Diva DVF-103P. The PLAZA-L-F1-__ models are not dimmable.

SAVE THESE INSTRUCTIONS!

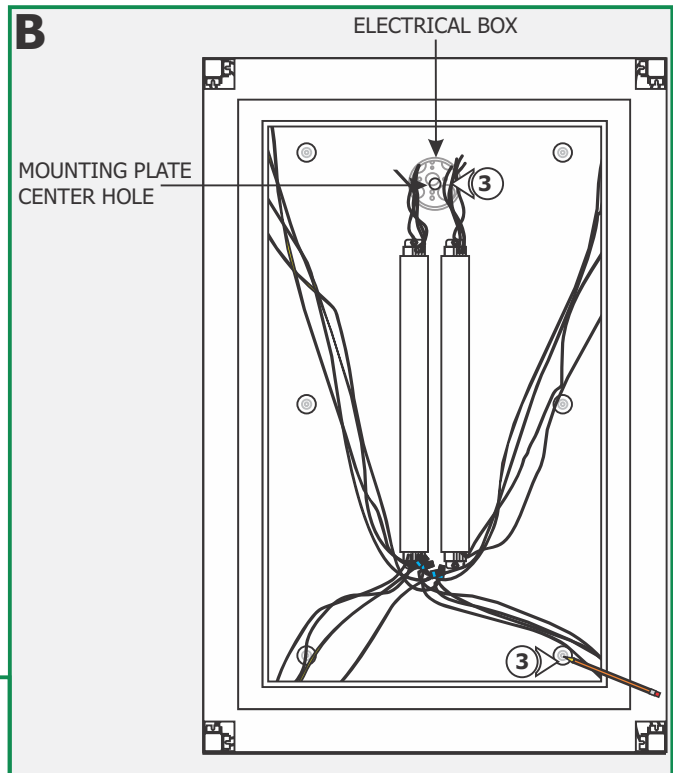


Install the Mounting Plate

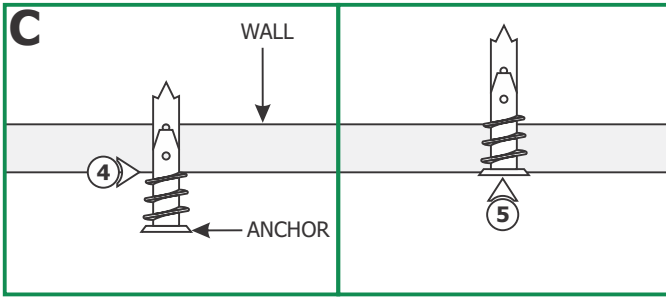


NOTE: It is recommended that one person holds the mounting plate while the electrician installs it.

- 1: Loosen and remove the four M6 screws on the top and bottom of the mounting plate with the 3mm Allen wrench.
- 2: Pull the mounting plate completely out of the mirror.



- 3: Align the mounting plate center hole with the electrical box. Level the mounting plate horizontally and mark the six mounting plate holes onto the wall.



4: Tap the anchors onto the marked points up to the threaded portion with a hammer.

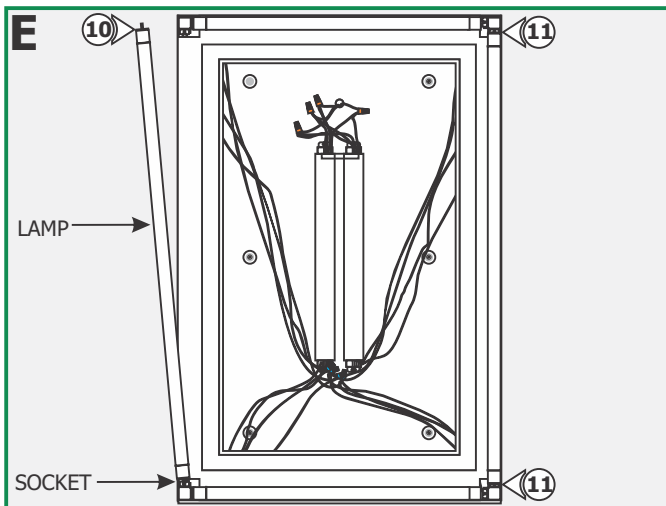
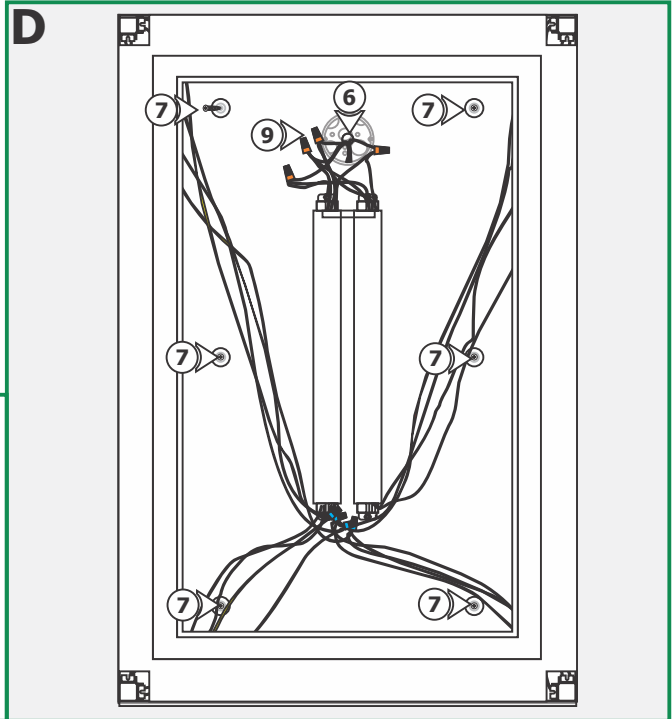
5: Screw in the threaded portion of the anchors with a Phillips screwdriver.

6: Feed the power wires coming from the dimmer through the mounting plate hole.

7: Line up the mounting plate holes with the anchors and secure it to the anchors with the six #8-32 screws provided.

8: Make sure that the mounting plate is grounded in accordance with local electrical codes.

9: Refer to the instruction provided with the dimmer for the proper power connection.



CAUTION: To reduce risk of a burn or electrical shock during lamping, disconnect the power to the fixture.

Use **MAX 24** Watt Type T5, Linear Fluorescent Lamp For the top and bottom Socket.

Use **MAX 39** Watt Type T5, Linear Fluorescent Lamp For the right and left Socket.

10: Line up the lamp pins on both sides with the opening on the socket.

11: Insert the lamp pins all the way into the sockets and turn the lamp to lock it in place. Repeat this step for the other lamp.

12: Place the mirror housing onto the mounting plate and secure it in place by tightening the four #8 screw on the top and bottom of the mirror housing into the mounting plate.

