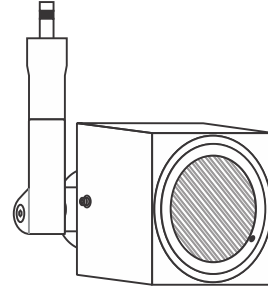


Installation Instructions for **Box Pro-Aim**

IMPORTANT SAFETY INSTRUCTIONS

To reduce the risk of fire, electrical shock, exposure to excessive UV radiation, or injury to persons:

- Use this fixture indoors only.
- Do not look directly at the lamp while the fixture is on.
- **RISK OF FIRE:** Use only the type of lamp and maximum wattage indicated in this instruction manual.
- Never cover the halogen lamp with anything other than a lamp shield provided by Edge Lighting and never place flammable material close to the fixture.
- Never turn the fixture on and off by connecting and disconnecting the halogen lamp.
- Do not touch the fixture head, shade or lamp shield while the fixture is on. These surfaces may be **VERY HOT**.
- Do not touch lamp at anytime. Use a soft cloth. Oil from skin may damage lamp.
- It is normal for a new halogen lamp to produce minor smoke when first turned on.
- Do not operate the luminaire with a missing or damaged shield.
- Turn power off and allow to cool before replacing lamp.

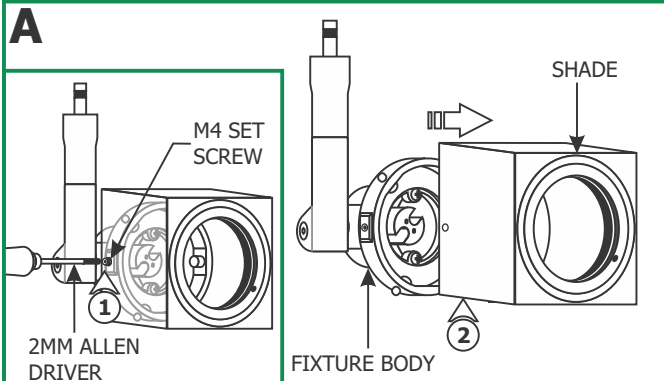


IMPORTANT INFORMATION

- This product is ETL listed for indoor dry locations.
- This product is not restricted to certain height installation. It is approved to be used at any height above the floor.
- Applicable optical accessories are Hexcell Louver, Snoot, and Glass Lenses.

SAVE THESE INSTRUCTIONS!

Install the Lamp & Lens Accessory



1: Tighten the M4 set screw all the way down into the fixture hood, using the 2MM Allen driver provided.

2: Pull the shade completely off of the fixture body.

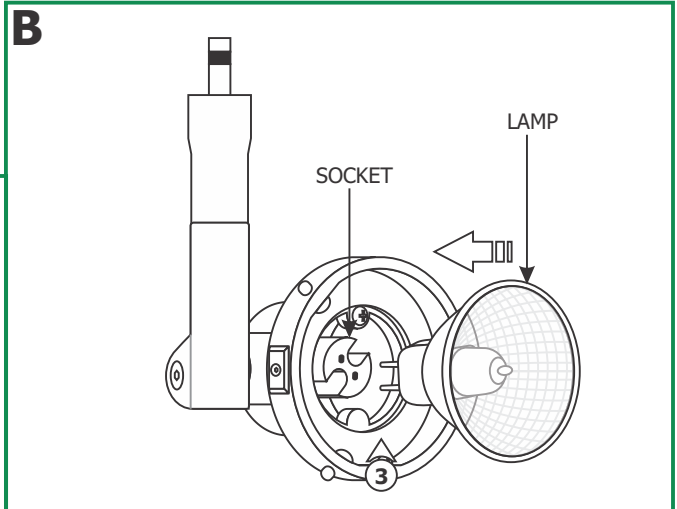
CAUTION: To reduce risk of a burn or electrical shock during lamping, disconnect the power to the fixture.

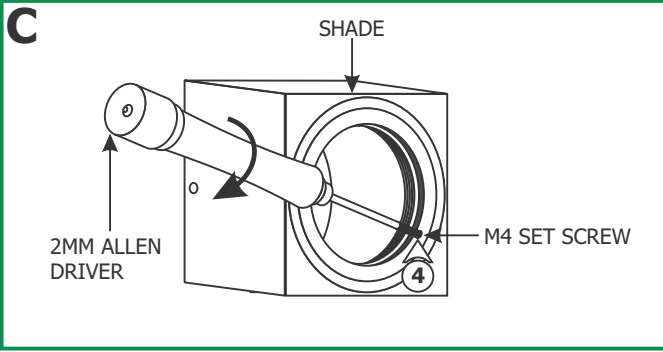
Use **MAX 37 Watt IR**, Type MR16 Front Glass Cover Halogen Lamp White Finish Box Fixtures.



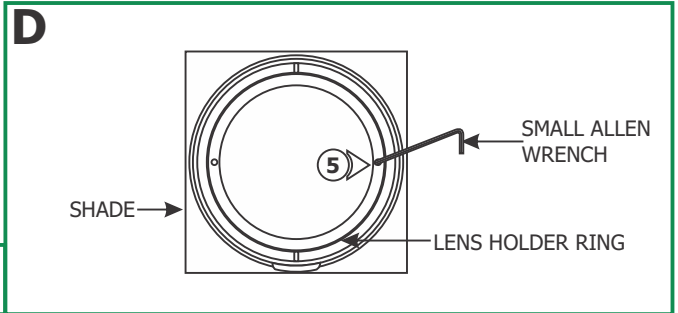
Use **MAX 50 Watt IR**, Type MR16 Front Glass Cover Halogen Lamp With All Other Box Fixture Finishes Except White.

3: Push the lamp pins completely into the socket holes.

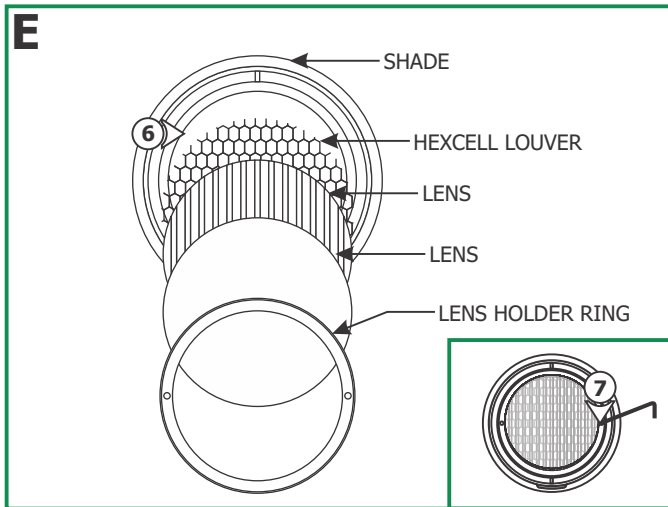




4: Tighten the M4 set screw on the front of the shade with the 2mm Allen driver provided.

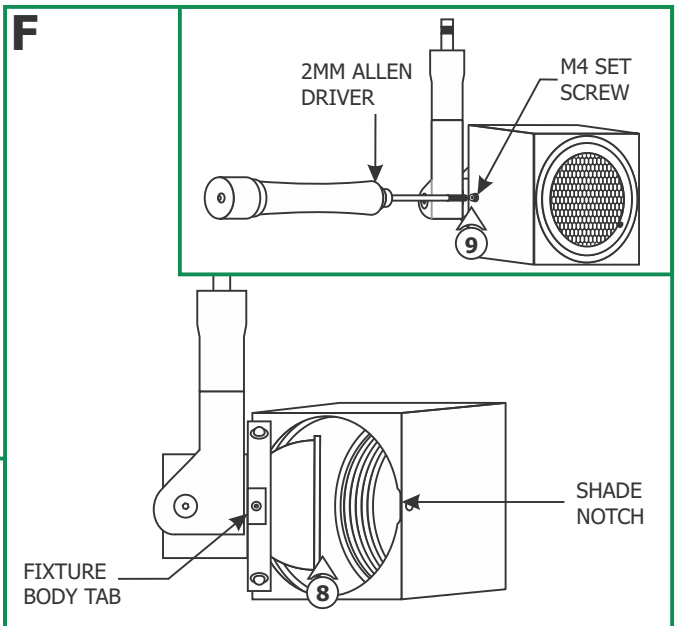


5: From the inside of the shade, use a small Allen wrench or a pen point to loosen and remove the lens holder ring.



6: Place the lens(es), or a combination of lens(es) and a hexcell louvers into the shade (maximum 3).

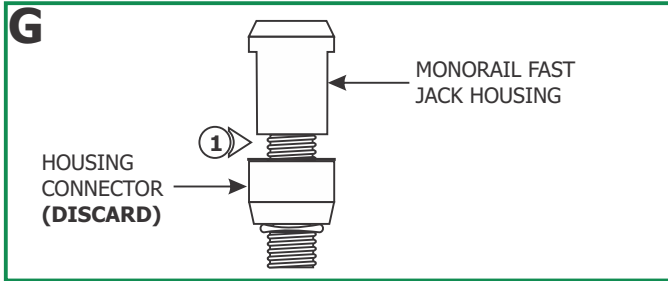
7: Replace and tighten the lens holder ring to secure the lenses in place.



8: Line up the notch on the shade with the tabs on the fixture body and push it completely until it snaps in place properly.

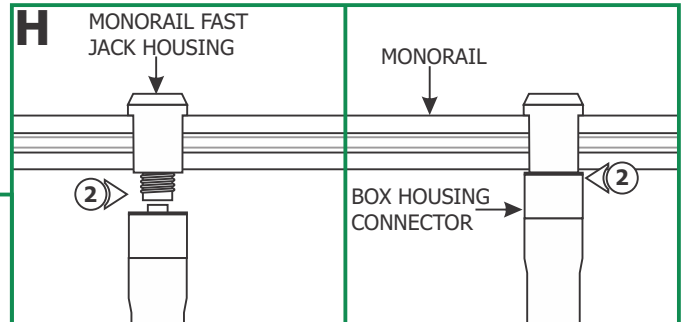
9: For additional support, backout the M4 set screw on the fixture hood to be flush with the surface.

Install the Box to the Monorail (MC-FJ-_)

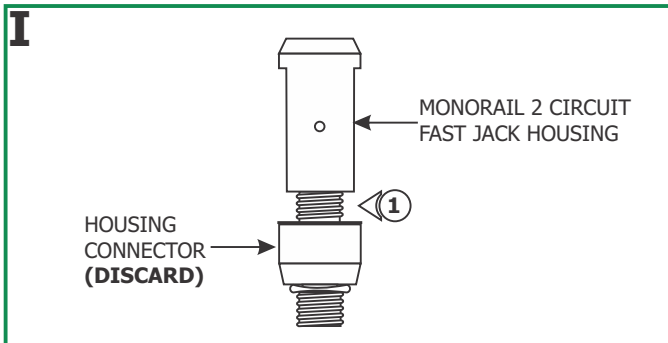


1: Remove the Monorail housing connector from the Monorail Fast Jack housing and discard it.

2: Place the Monorail Fast Jack housing onto the Monorail and use fingers to tighten the Box housing connector to the Fast Jack housing. **Make sure that the Box housing connector is not cross threaded.**

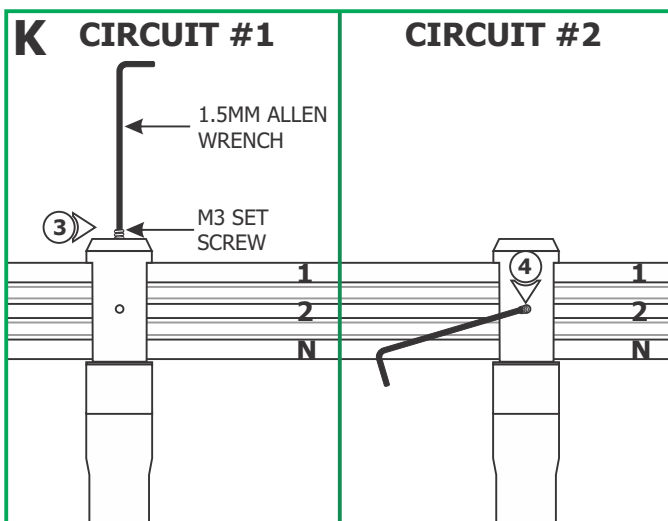
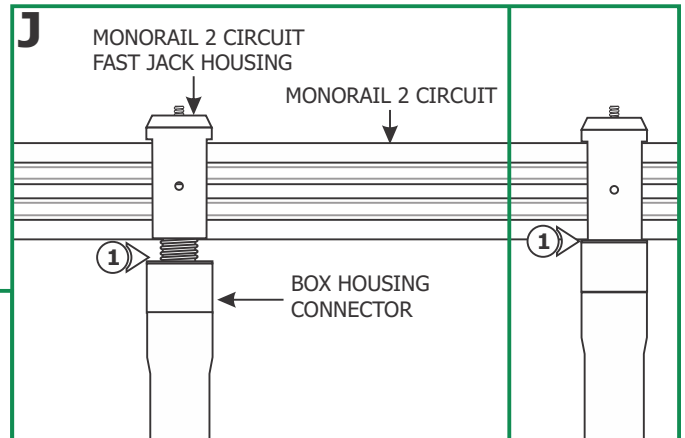


Install the Box to Monorail 2 Circuit Connector (M2C-FJ-_)



1: Remove the Monorail 2 Circuit housing connector from the Monorail 2 Circuit Fast Jack housing and discard it.

2: Place the Monorail 2 Circuit Fast Jack housing onto the Monorail 2 Circuit and use fingers to tighten the Box housing connector to the Fast Jack housing. **Make sure that the Box housing connector is not cross threaded.**



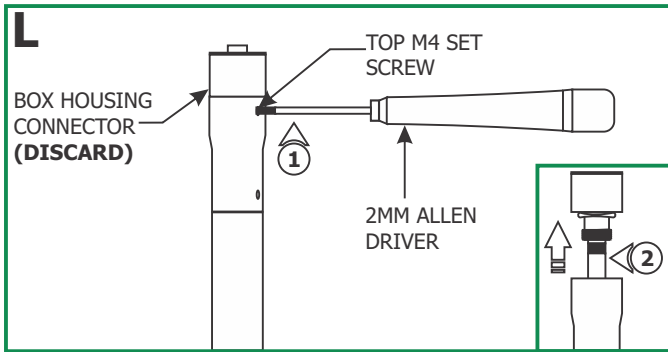
3: To power the Box from circuit #1, top and bottom (neutral) rails, tighten the M3 set screw on top of the housing with the 1.5mm Allen wrench. **Make sure this set screw connection is very tight.**

4: To power the fixture from circuit #2, middle and bottom (neutral) rails, remove the M3 set screw from top of the housing and tighten it into the side threaded hole with the 1.5mm Allen wrench. **Make sure this set screw connection is very tight.**

NOTE: To avoid shorting the system, do not use more than one set screw to select a circuit on the Monorail 2 Circuit connector.

NOTE: Do not load either circuit over the maximum system rating.

Install the Fixture to Fast Jack Canopy (FJP-2SQ-_, FJP-4SQ-_, FJP-4RD-_)

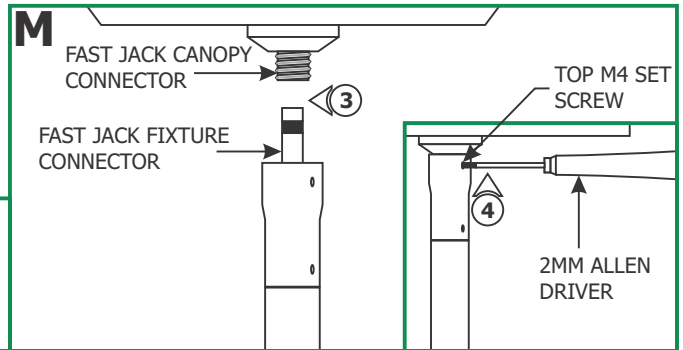


1: Loosen the top M4 set screw on the Box arm with the 2MM Allen driver.

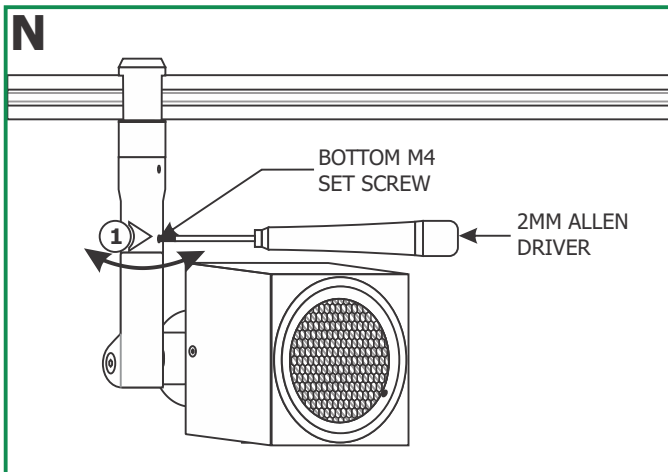
2: Remove and discard the Box housing connector.

3: Use fingers to tighten the Fast Jack fixture connector into the Fast Jack canopy connector.

4: Tighten the top M4 set screw with the 2mm Allen driver to secure the fixture in place.

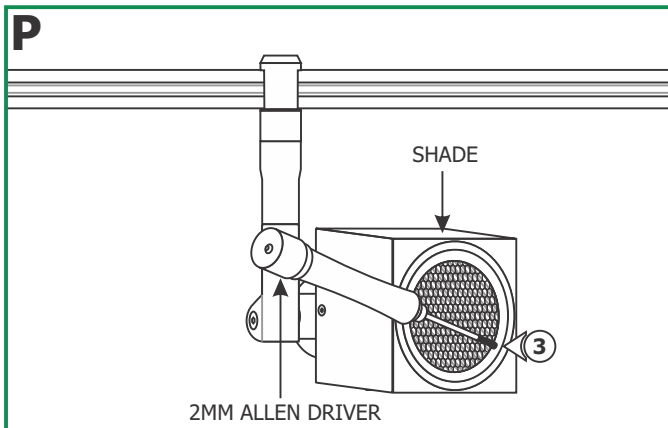
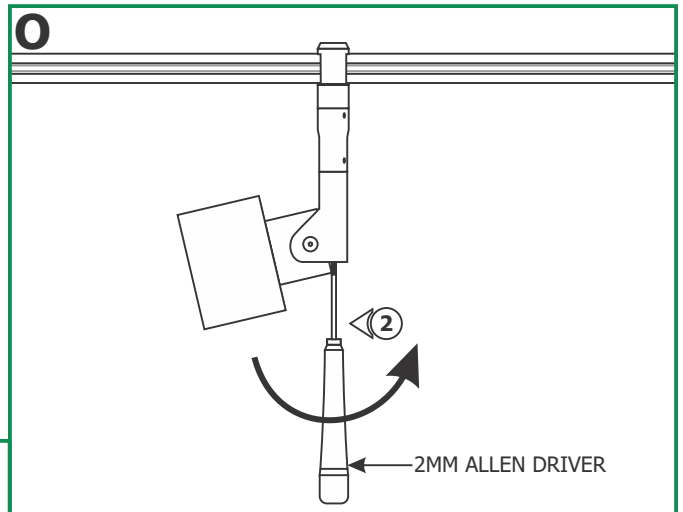


Pro-Aim Positioning and Locking the Box



1: Rotate the fixture to the desired position and lock it in place by tightening the bottom M4 set screw with the 2mm Allen driver.

2: Use the 2mm Allen driver on the bottom of the Box arm to tilt the head up or down.



3: Place the 2mm Allen driver into the M4 set screw on the front of the shade to rotate the lens to the desired position. Tighten the M4 set screw to lock the lens in position.