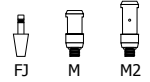




Designed by Gregory Kay - Patent #: D603,546

Compatible System Connectors



FJ-BOX-3-SN
Satin Nickel



Locking lens orientation



Hot aiming with self locking tilt mechanism



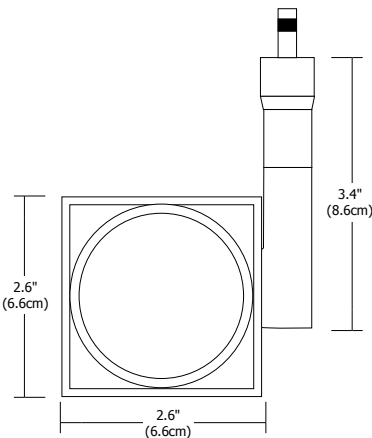
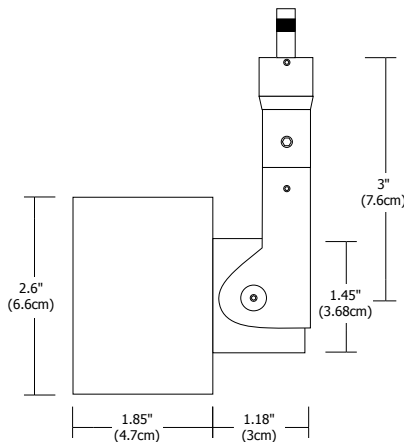
FJ-BOX-3-PN
Polished Nickel



FJ-BOX-3-BZ
Antique Bronze



FJ-BOX-3-WH
White



Description:

The geometric Box delivers a balance of form and function. The focus retention system allows precise hot-aiming and locks the 360° rotation, 180° tilt and optical lens orientation with an Allen screwdriver (included). Snap-off hood holds up to three accessory lenses and allows easy access for re-lamping while preserving focus.

System Compatibility:

Monorail (M) or Monorail 2 Circuit (M2) Use Fast Jack (FJ) version for FJ canopies

Finish:

Satin Nickel, Polished Nickel, Antique Bronze or White (with FJ canopy)

Lamp Specification:

Maximum 50 watt IR MR16 lamp GU 5.3 base - 12 or 24 volt
Maximum 37 watt IR MR16 with white and bronze finishes (sold separately)

Optical Accessories (sold separately):

Hexcell Louver, Snoot and Glass Lenses

Weight:

.84 lb (.38 kg)



PROJECT:

FIXTURE TYPE:

DATE:

