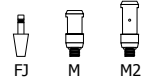


REV04.16.15



Compatible System Connectors



FJ-CHO-3-PN
Polished Nickel



FJ-CHO-1-SN
Satin Nickel with LED MR16



FJ-CHO-1-SN-S6-SN
Satin Nickel with Satin Nickel S6 Shade



FJ-CHO-1-PN-S7-PN
Polished Nickel with Polished Nickel S7 Shade



FJ-CHO-1-BZ-LH16-BZ
Antique Bronze with Antique Bronze Louver Lens Holder

Description:

Combining simple shapes with beveled edges, the Chopper functions with an MR16 halogen or MR16 12VAC **LED** lamp with S7 shade or no shade. The fixture rotates 360°, tilts 270°; accommodates shades and optical accessories with louver lens holder.

System Compatibility:

Monorail (M) or Monorail 2 Circuit (M2). Use Fast Jack (FJ) version for FJ canopies

Height:

1" (2.5cm), 3" (7.6cm) 6" (15.2cm), 12" (30.5cm) or 18" (45.7cm)

Finish:

Satin Nickel, Polished Nickel or Antique Bronze

Lamp Specifications:

Maximum 75 watt MR16 lamp GU 5.3 base - 12 or 24 volt **LED** MR16-12VAC compatible with no shade or S7 Mesh Shade (sold separately)

Optional Shade Accessories (sold separately):

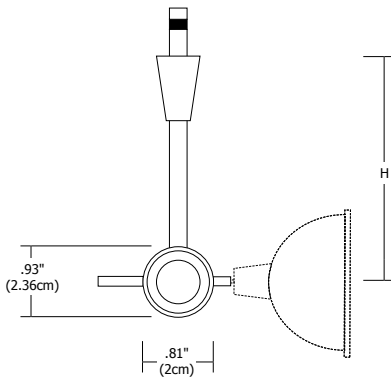
S6 - Solid Back Shade or S7 - Mesh Back Shade

Optical Accessories (sold separately):

Hexcell Louver, LH16 - Louver Lens Holder, Glass Lenses or Snoot

Weight:

.35 - .45 lb (.16 - .20 kg)



System	Fixture	Height (H)	Finish	Accessory	Finish
FJ	CHO	1	SN	S6	SN
FJ Fast Jack M Monorail M2 Monorail 2 Circuit	CHO Chopper	1 1" (2.5cm) 3 3" (7.6cm) 6 6" (15.2cm) 12 12" (30.5cm) 18 18" (45.7cm)	SN Satin Nickel PN Polished Nickel BZ Antique Bronze	S6 Solid Back Shade S7 Mesh Back Shade LH16 Louver Lens Holder	SN Satin Nickel (S6, LH16) PN Polished Nickel BZ Antique Bronze BK Black (S6, S7)

