



Designed by Gregory Kay - Patent #: D602,622

Compatible System Connectors



FJ-NEO-3-SN
Satin Nickel



Hot aiming with self locking tilt mechanism



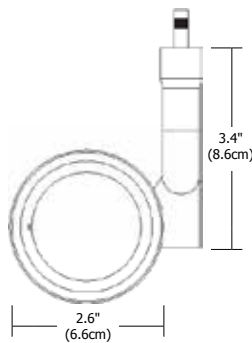
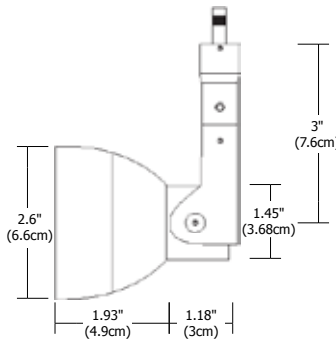
Shown with Snoot accessory (sold separately)



FJ-NEO-3-PN
Polished Nickel



FJ-NEO-3-BZ
Antique Bronze



Description:

Neo's focus retention system precisely aims and locks the 360° rotation, 180° tilt with an Allen screwdriver (included). Screw-on hood holds up to three accessory lenses and allows easy access for re-lamping. Optical lens orientation does not lock on Neo.

System Compatibility:

Monorail (M) or Monorail 2 Circuit (M2); Use Fast Jack (FJ) version for FJ canopies

Finish:

Satin Nickel, Polished Nickel or Antique Bronze

Lamp Specification:

Maximum 50 watt IR MR16 lamp GU5.3 base -12 or 24 volt
Maximum 37 watt IR MR16 lamp with bronze finish (lamps sold separately)

Optical Accessories (sold separately):

Hexcell Louver, Snoot and Glass Lenses

Weight:

.84 lb (.38 kg)

System	Fixture	Height	Finish
FJ	NEO	3	SN
FJ Fast Jack	NEO Neo	3 3.4"	SN Satin Nickel
M Monorail			PN Polished Nickel
M2 Monorail 2 Circuit			BZ Antique Bronze

PROJECT:

FIXTURE TYPE:

DATE:

