



Designed by Gregory Kay - Patent #: D602,622

Compatible System Connectors



FJ-NEO-3-SN
Satin Nickel



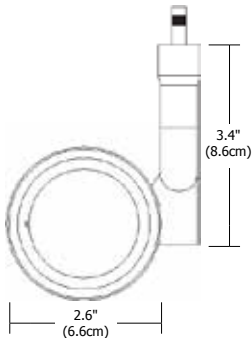
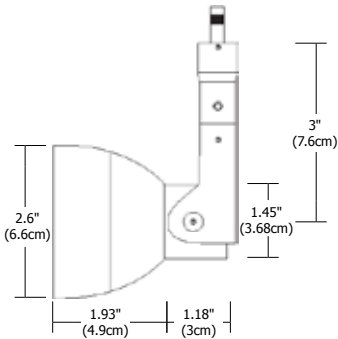
FJ-NEO-3-PN
Polished Nickel



Hot aiming with self locking tilt mechanism



Shown with Snoot accessory (sold separately)



Description:

Neo's focus retention system precisely aims and locks the 360° rotation, 180° tilt with an Allen screwdriver (included). Screw-on hood holds up to three accessory lenses and allows easy access for re-lamping. Optical lens orientation does not lock on Neo.

System Compatibility:

Monorail (M) or Monorail 2 Circuit (M2); Use Fast Jack (FJ) version for FJ canopies

Finish:

Satin Nickel or Polished Nickel

Lamp Specification:

Maximum 50 watt IR MR16 lamp GU5.3 base -12 or 24 volt

Optical Accessories (sold separately):

Hexcell Louver, Snoot and Glass Lenses

Weight:

.84 lb (.38 kg)

System	Fixture	Height	Finish
FJ	NEO	3	SN
FJ Fast Jack M Monorail M2 Monorail 2 Circuit	NEO Neo	3 3.4"	SN Satin Nickel PN Polished Nickel

PROJECT:

FIXTURE TYPE:

DATE:

