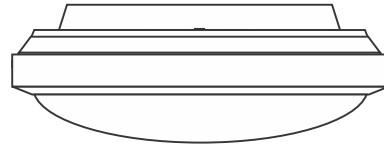


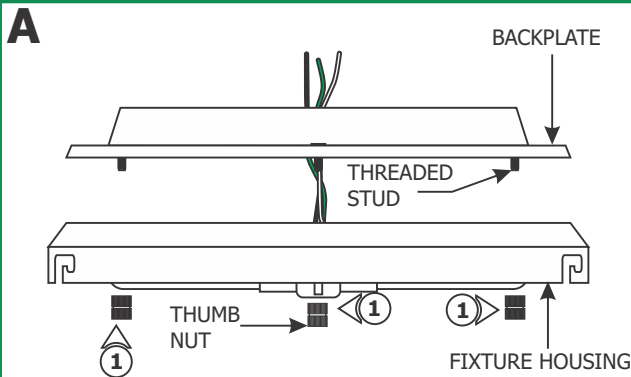
Installation Instructions for Compact Florescent Satin Ceiling 12, 15, & 18

- This product is ETL listed for indoor dry locations.
- This product is ceiling mounted only.
- This product can mount to either a 4" square electrical box with round plaster ring or an octagon electrical box.
- This instruction shows a typical installation.
- This product is not dimmable.

SAVE THESE INSTRUCTIONS!



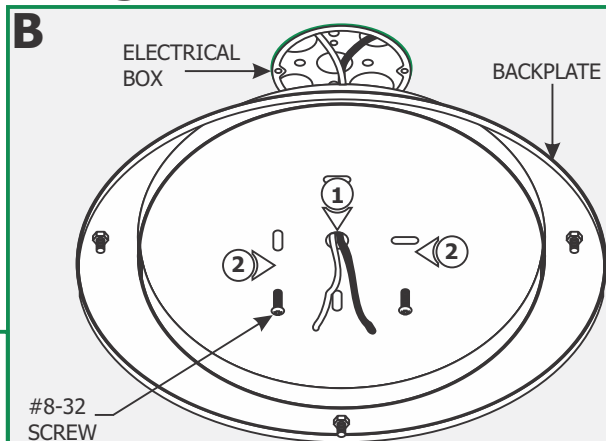
Disassemble the Fixture



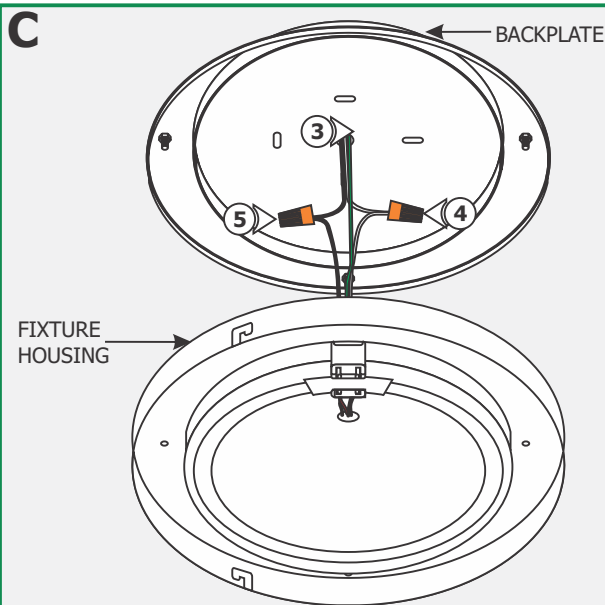
- 1:** Remove the three thumb nuts from the threaded studs and detach the backplate from the fixture housing.

- 1:** Feed the power wires through the backplate center hole.
- 2:** Mount the backplate to the electrical box with the provided two #8-32 screws.

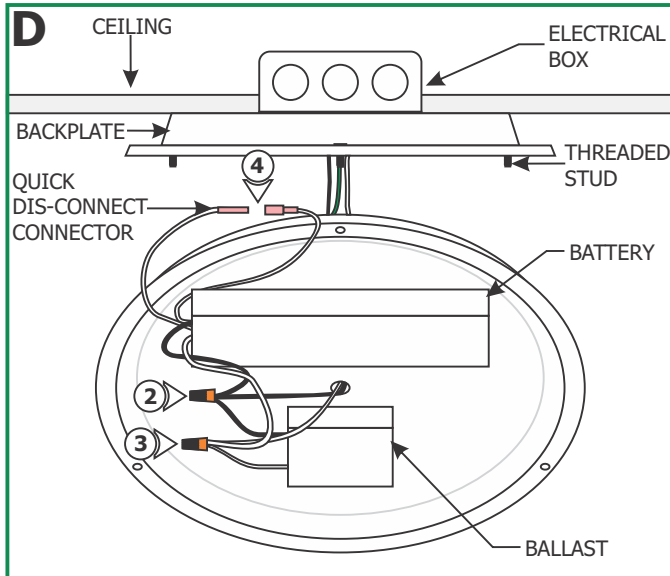
Wiring for Standard Installation



- 3:** Make sure that the fixture is grounded in accordance with local electrical codes.
- 4:** Connect the white fixture wire to the neutral power wire with a wire nut.
- 5:** Connect the black fixture wire to the hot power wire with a wire nut.
- 6:** Follow the "Finish Installation" steps on page 3 to complete the installation.



Always on Emergency Light Wiring (F1E Version Only)



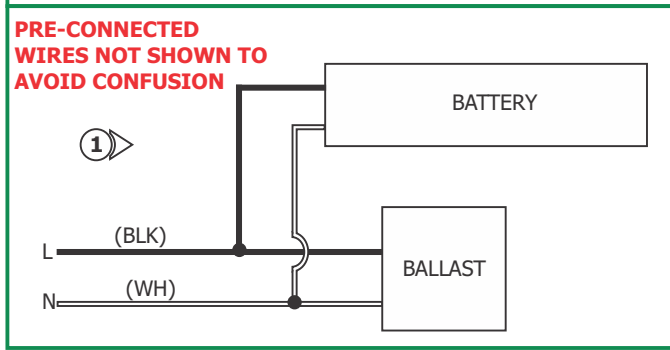
NOTE: Skip this step if installing standard Fluorescent version.

NOTE: Follow this step if light will always be on, and in case of power failure the battery backup will turn the fixture on.

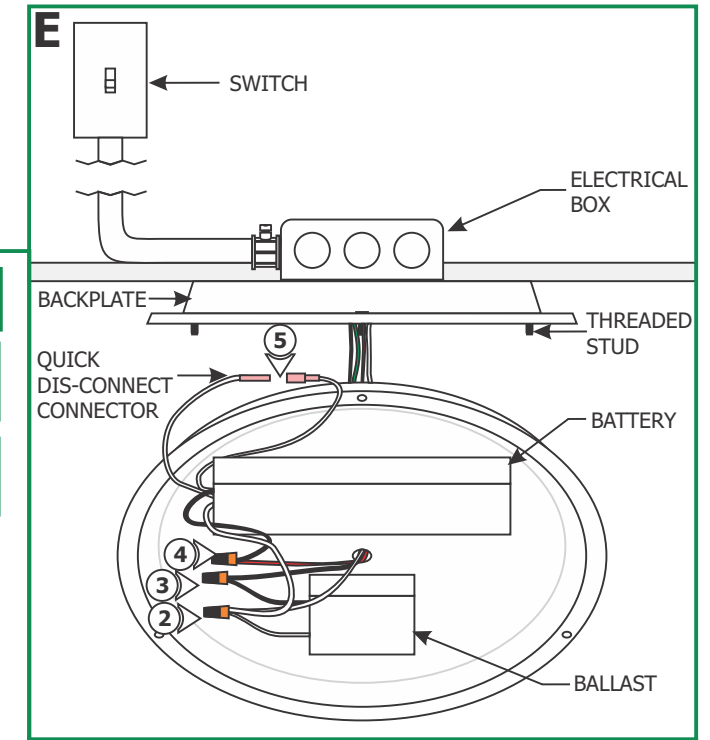
- 1: Follow wiring diagram in Drawing D to properly install fixture.
- 2: Connect the hot power wire to the battery & ballast black wires with a wire nut.
- 3: Connect the neutral power wire to the battery & ballast white wires with a wire nut.
- 4: Connect the quick dis-connect connector together.

NOTE: The battery needs to be charged for at least 2 hours. Perform test after battery is properly charged.

- 5: Refer to "Finish Installation" steps on page 3 to complete the installation.



Switch Controlled Emergency Light Wiring (F1E Version Only)



NOTE: Skip this step if installing standard Fluorescent version.

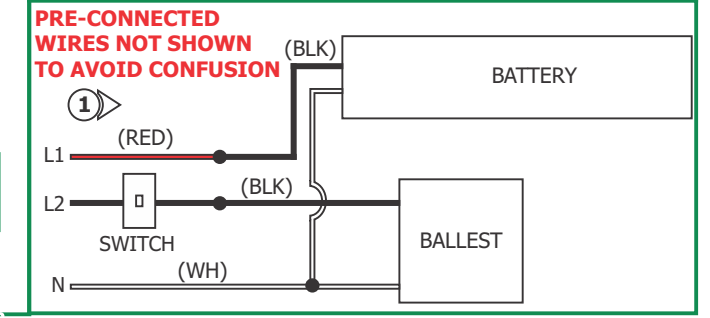
NOTE: Follow this step if light will have an on/of switch, and in case of power failure the battery backup will turn on.

NOTE: Two power lines are needed to wire the fixture for this version.

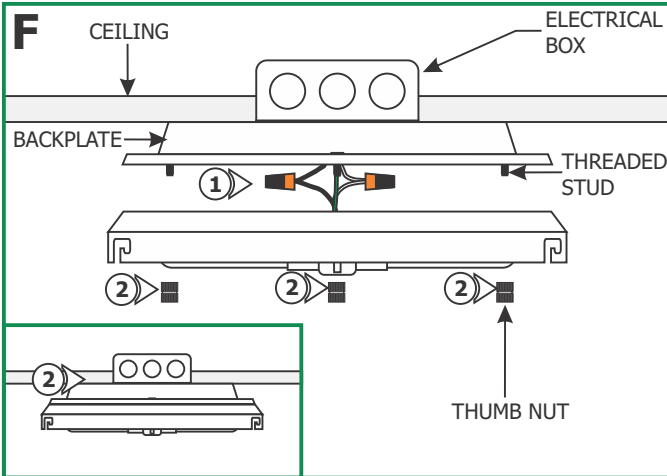
- 1: Follow wiring diagram in Drawing E to properly install fixture.
- 2: Connect the white ballast & battery wires to neutral power wire with a wire nut.
- 3: Connect the hot power wire coming from the switch to the black wires of the ballast with a nut.
- 4: Connect the other hot power wire to the black wire of the battery with a wire nut.
- 5: Connect the quick dis-connect connector together.

NOTE: The battery needs to be charged for at least 2 hours. Perform test after battery is properly charged.

- 6: Refer to "Finish Installation" steps on page 3 to complete the installation.



Finish Installation



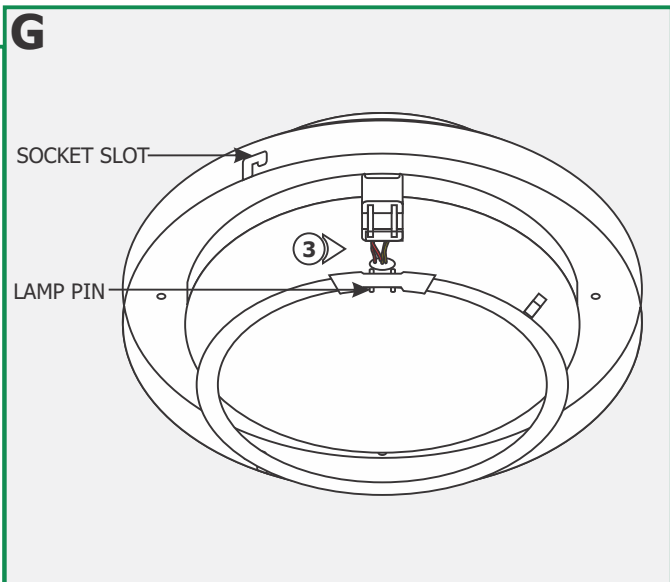
- 1:** Place all wire and wire nut connections inside backplate.
- 2:** Align and push the fixture housing onto threaded studs and tighten the three thumb nuts completely to secure the fixture housing in place.

CAUTION: To reduce risk of a burn or electrical shock during lamping, disconnect the power to the fixture.

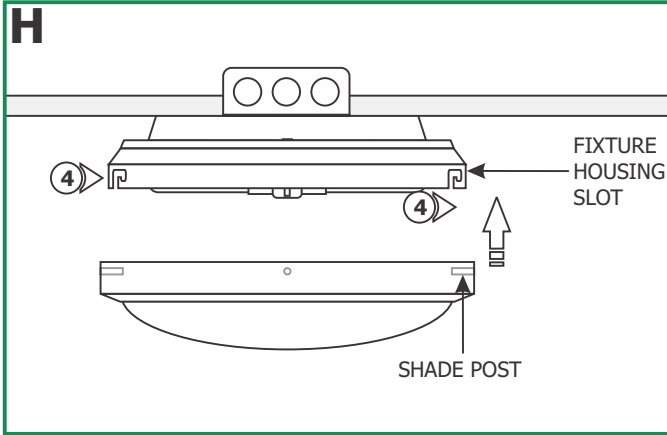
NOTE: The 12" Satin Ceiling uses only one 22 Watt lamp.

Use **MAX 22 Watt** Type Circline 4-pin T5 2GX13 Base Fluorescent Lamp for 12", 15" and 18" Satin Ceilings.

Use **MAX 40 Watt** Type Circline 4-pin T5 2GX13 Base Fluorescent Lamp for 15" and 18" Satin Ceilings.



- 3:** Starting with the inner lamp, insert the lamp pins into the socket slots and secure it in place snapping into the spring clip(s). Repeat this step for outer lamp (15" and 18" only).



- 4:** Insert the three posts of the shade into the fixture housing slots and turn the shade clockwise to lock into place.
- NOTE:** To re-lamp the fixture, carefully rotate the glass shade counter clockwise and remove the shade. Carefully pull the old lamp(s) out of the socket slot and the spring clip(s). Follow steps 3 to 5 to re-install the lamps and shade.