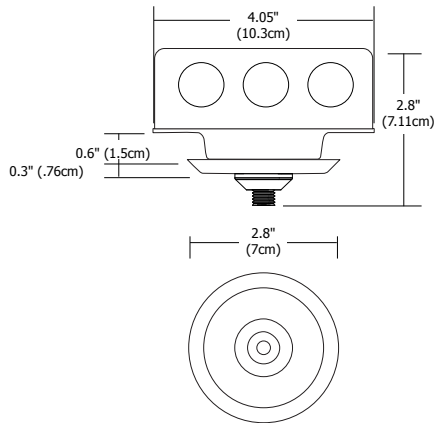


REV.09.30.15

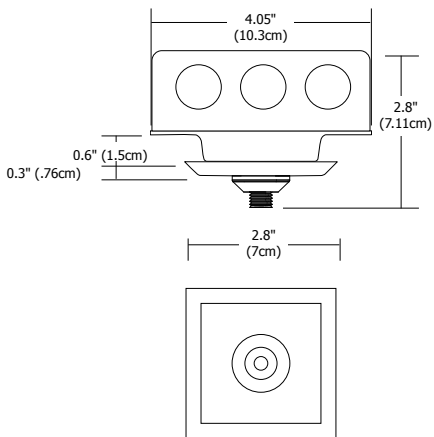


2" Round Fast Jack Power Feed Canopy

The 2" Round Fast Jack Canopy mounts to a 4" electrical box (Halogen and LED) or to an octagon box (LED only) with special plaster ring (included). The transformer (included) fits inside the electrical box. Maximum load of the halogen version is 12 volt, 75 watts. Maximum load of LED version is 12 volt, 40 watts. Halogen version is dimmable with low voltage electronic dimmer. LED dimming range varies: reference corresponding fixture specification sheet, at www.edgelighting.com, for dimming details. *LED version can also be used with maximum of 50 watt halogen load per port.

Weight:
1.35 lb (.61 kg)

System	Canopy	Type	Finish	Voltage Input
FJP	2RD	Halogen (leave blank)	SN	Standard 120V (leave blank)
<small>FJP Fast Jack Power Feed</small>	<small>2RD 2.8" Round</small>	<small>LED LED</small>	<small>SN Satin Nickel PN Polished Nickel BZ Antique Bronze WH White</small>	<small>2 230V 50Hz 3 277V 60Hz (Halogen only)</small>



2" Square Fast Jack Power Feed Canopy

The 2" Square Fast Jack Canopy mounts to a 4" electrical box (Halogen and LED) or to an octagon box (LED only) with special plaster ring (included). The transformer (included) fits inside the electrical box. Maximum load of the halogen version is 12 volt, 75 watts. Maximum load of LED version is 12 volt, 40 watts. Halogen version is dimmable with low voltage electronic dimmer. LED dimming range varies: reference corresponding fixture specification sheet, at www.edgelighting.com, for dimming details. *LED version can also be used with maximum of 50 watt halogen load per port.

Weight:
1.35 lb (.61 kg)

System	Canopy	Type	Finish	Voltage Input
FJP	2SQ	Halogen (leave blank)	SN	Standard 120V (leave blank)
<small>FJP Fast Jack Power Feed</small>	<small>2SQ 2.8" Square</small>	<small>LED LED</small>	<small>SN Satin Nickel PN Polished Nickel BZ Antique Bronze WH White</small>	<small>2 230V 50Hz 3 277V 60Hz (Halogen only)</small>

PROJECT:

FIXTURE
TYPE:

DATE:

