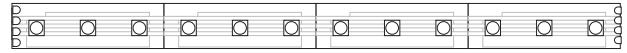


Installation Instructions for SS3 Soft Strip LED 2.6W/ft 24 Volt RGB

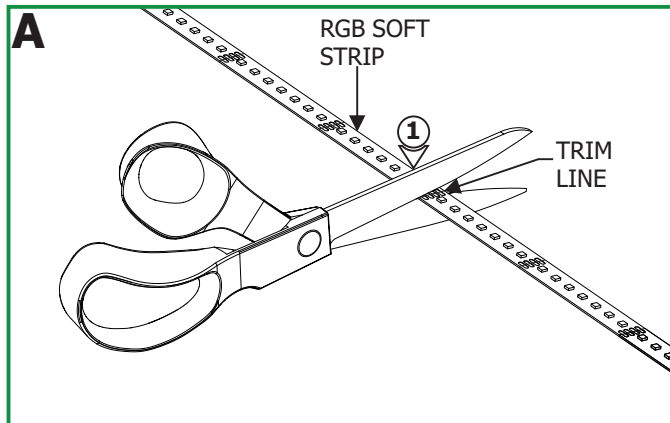
IMPORTANT INFORMATION

- This product is ETL listed for indoor locations.

SAVE THESE INSTRUCTIONS!



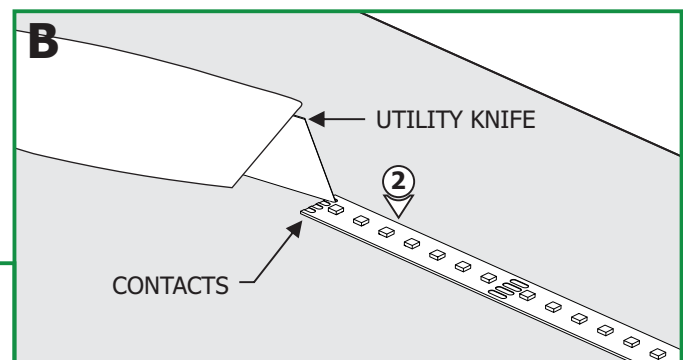
Section One: Prepare the RGB Soft Strip



1: If necessary trim the RGB strip at the marked line above the contact (every 4" apart) with a sharp scissor to fit the design.

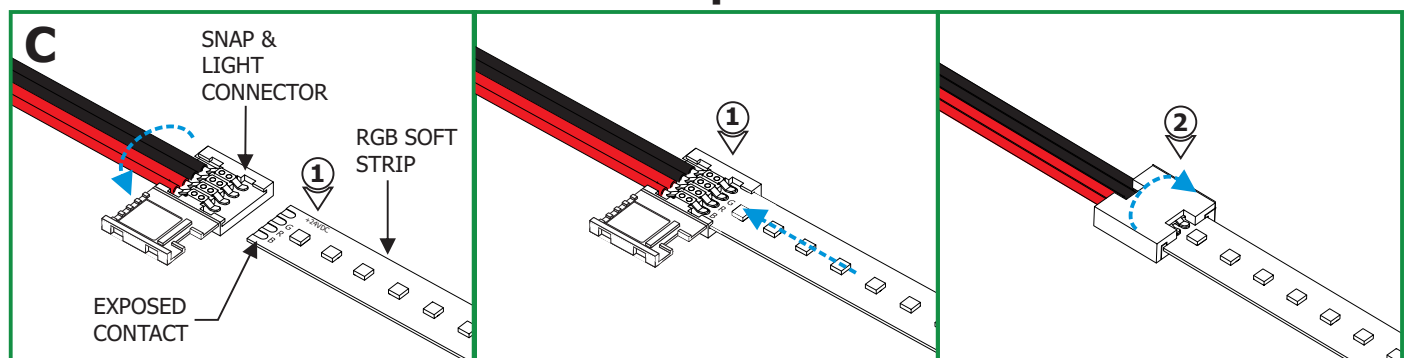
NOTE: Do not trim the strip over the sections that are joined together by soldering. The soldered contact will not connect to the Snap & Light connector easily.

NOTE: Do not trim the strip at unmarked sections which may cause that section of the strip not to light up.



2: Place the RGB Soft Strip on a flat, stable surface. Using a utility knife, carefully scrape the protective coating from the contacts.

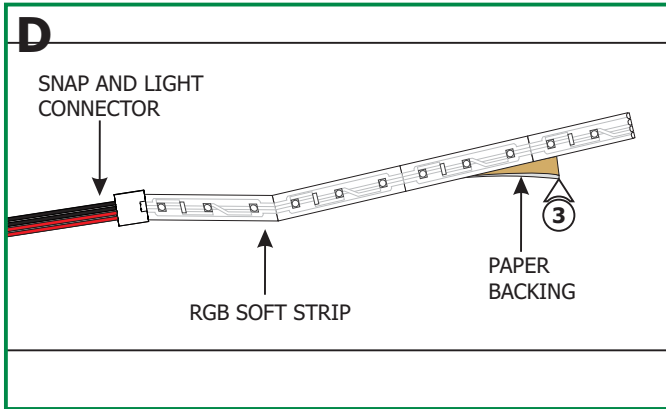
Section Two: Install the Soft Strip



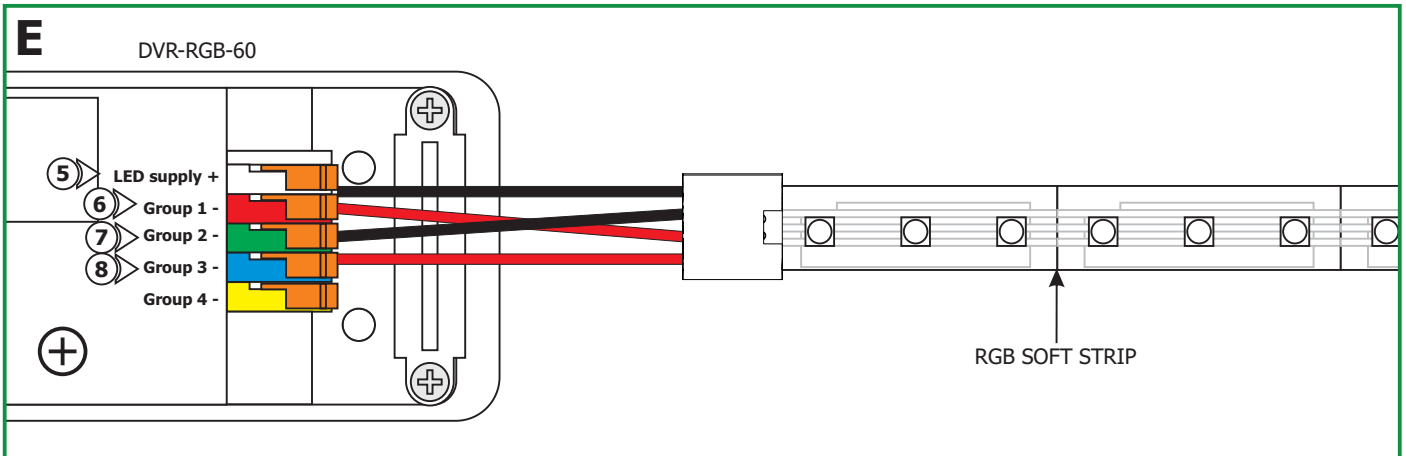
NOTE: Aluminum heat sink tape (SS-HR-F) is sold separately to help dissipate heat generated by LEDs.

1: Align the +24VDC marking on the soft strip with the black wires of the Snap & Light connector. Insert the exposed contact at the end of the RGB strip under the Snap & Light contacts ensuring that the strip contacts are aligned and covered under the connector contacts.

2: Close the Snap & Light cover and ensure it snaps securely into place.



3: Carefully remove the backing from the RGB soft strip, make sure not to remove the tape from the soft strip. Firmly press down the adhesive portion of the soft strip onto the mounting surface while removing the rest of the backing, making sure there are no air bubbles that can cause surface irregularities.

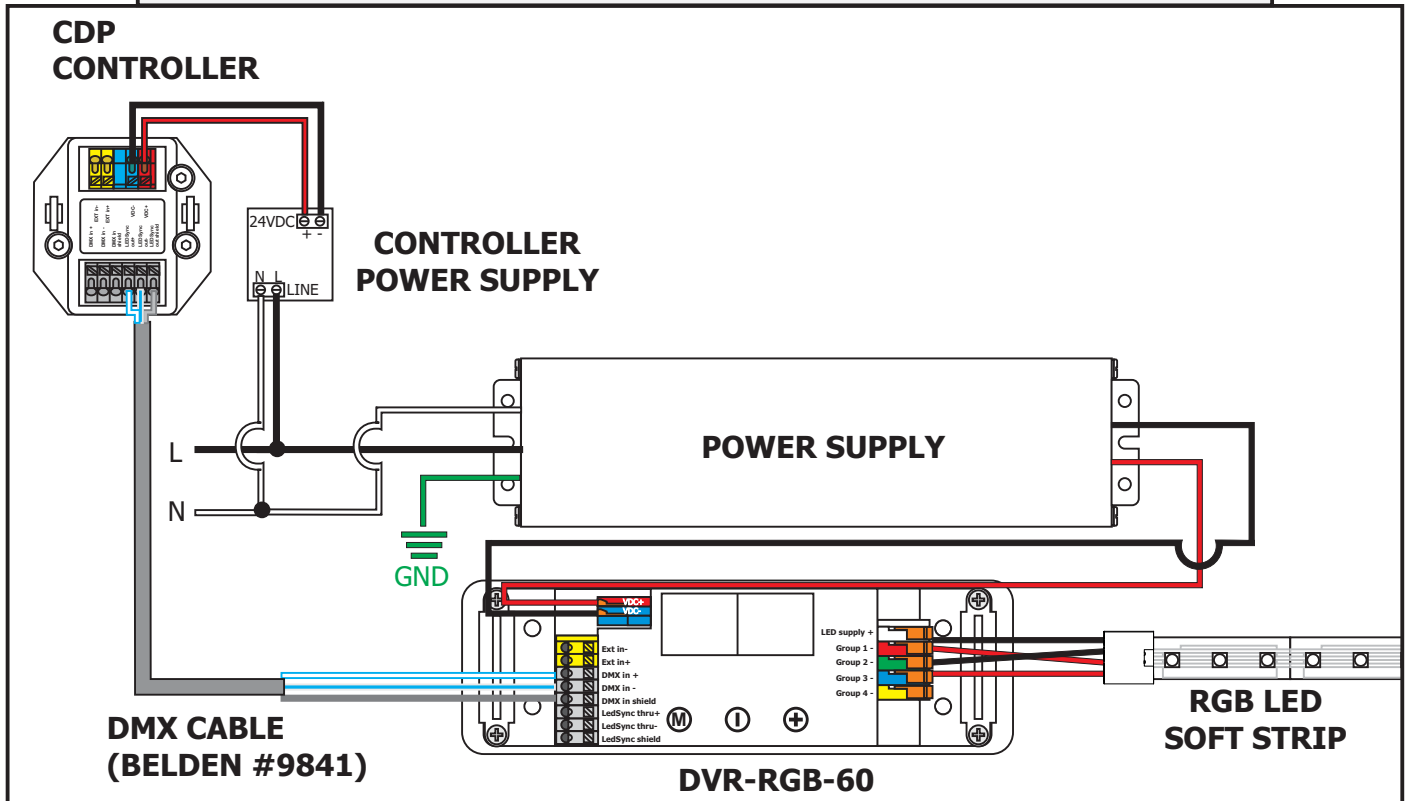


- 4:** Trim the other end of the Snap & Light connector when it is used as a Power cord.
- 5:** Connect the top black wire of the Snap & Light connector to the DVR-RGB-60 "LED SUPPLY+" white terminal.
- 6:** Connect the bottom black wire of the Snap & Light connector to the DVR-RGB-60 green terminal.
- 7:** Connect the top red wire of the Snap & Light connect to the DVR-RGB-60 red terminal.
- 8:** Connect the bottom red wire of the Snap & Light connector to the DVR-RGB-60 blue terminal.
- 9:** Refer to the wiring diagram below and the instructions provided with the power supply to complete the installation.

NOTE: SS3 RGB soft strip consumes on average 2.6 Watt per foot.

Wiring Diagram

Using LED Power Supply with RGB Soft Strip & CDP or CTP Control



IMPORTANT INFORMATION REGARDING INSTALLATION AND REWORK OF SOFT STRIP LED

DO gently pull up and away from the soft strip if removing to reposition. This avoids damaging the strip.

DO NOT pull the strip back towards itself. Doing so risks damaging the strip and making it not function.

DO only ever use fingers to gently install soft strip to a surface **AFTER** cleaning the surface with alcohol.

DO NOT use any tool to install soft strip to a surface. This will damage the soft strip component.

Relocating Soft Strip (Optional)

F

NOTE: If relocating the installed soft strip, make sure that the adhesive tape on back of the soft strip covers the entire strip. The adhesive tape isolates the strip from the installation surface. Damaged or inconsistent adhesive tape may cause the contacts on the back of the strip to come in contact with the conductive heat sink which will cause the strip to short and burn. Call Edge Lighting to get replacement adhesive tape and/or optional aluminum heat sink tape (SS-HR-F)

- 1:** To remove tape residue from back of the strip, apply WD-40, Goo Gone, or a mixture of warm water and lemon oil to the corner of a clean, dry towel. Gently buff the area containing the adhesive residue until it is completely removed.
- 2:** Gently remove a few inches of the from one side of the tape backing. Attach the adhesive tape to the back of the soft strip and apply moderate pressure to affix the tape. Continue this step a few inches at the time until the entire adhesive tape is attached to back of the soft strip.
- 3:** Refer to the steps on 1 through 8 to reinstall the soft strip.