

Installation Instructions for **Bright Idea 14 and 17 Linear Canopy**

IMPORTANT SAFETY INSTRUCTIONS

To reduce the risk of fire, electrical shock, exposure to excessive UV radiation, or injury to persons:

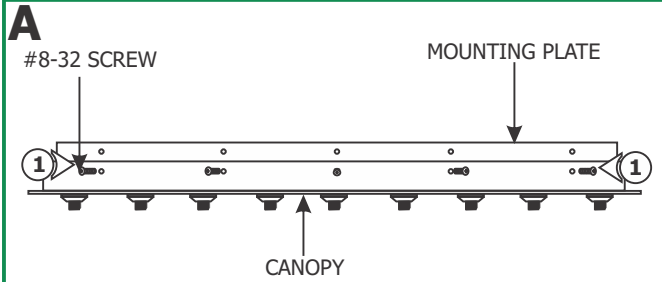
- Use this fixture indoors only.
- Do not look directly at the lamp while the fixture is on.
- **RISK OF FIRE:** Use only the type of lamp and maximum wattage indicated in this instruction manual.
- Never cover the halogen lamp with anything other than a lamp shield provided by Edge Lighting and never place flammable material close to the fixture.
- Never turn the fixture on and off by connecting and disconnecting the halogen lamp.
- Do not touch the fixture head, shade or lamp shield while the fixture is on. These surfaces may be **VERY HOT**.
- Do not touch lamp at anytime. Use a soft cloth instead as oil from skin may damage lamp.
- It is normal for a new halogen lamp to produce minor smoke when first turned on.
- Do not operate the luminaire with a missing or damaged shield.
- Turn power off and allow to cool before replacing lamp.

IMPORTANT INFORMATION

- This product is ETL listed for indoor dry locations and approved to be used at any height above the finished floor.

SAVE THESE INSTRUCTIONS!

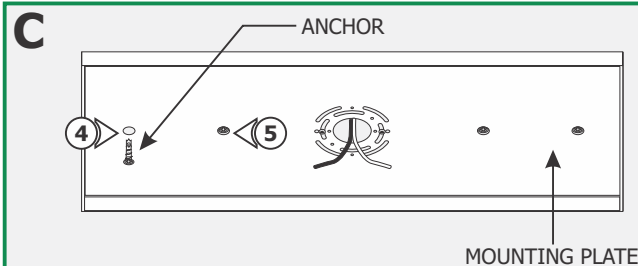
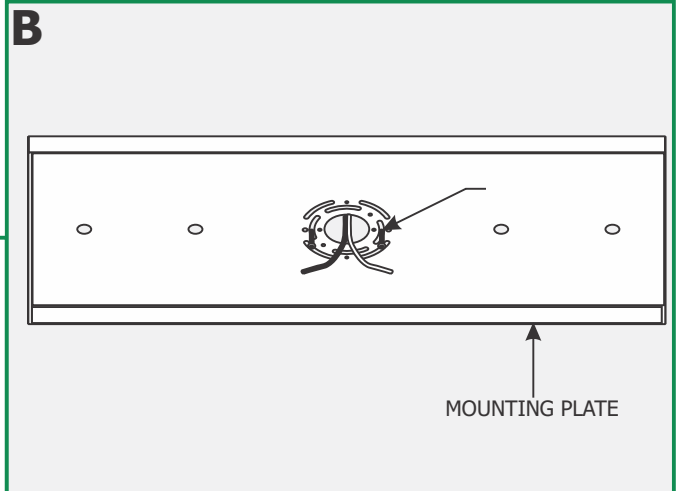
Install the Canopy



- 1:** Remove the fourteen #8-32 screws around the canopy to remove the mounting plate.

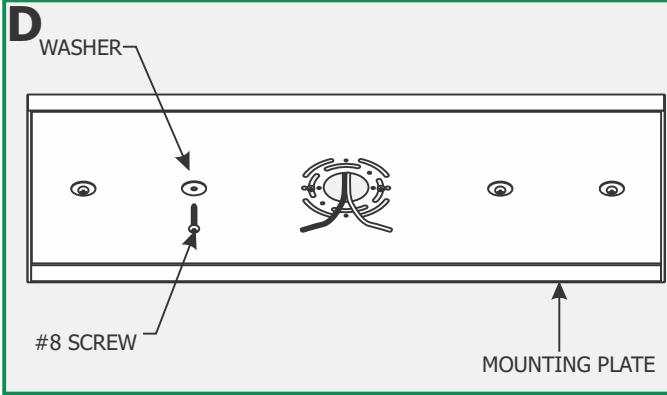
NOTE: It is recommended that a person hold the mounting plate while the electrician installs it.

- 2:** Feed the power wires through mounting plate center hole.
- 3:** Align the mounting plate slots with the electrical box holes and secure it to the electrical box holes with the provided two #8-32 screws.



- 4:** Tap the anchors through the mounting plate holes onto the marked point up to the threaded portion with a hammer.
- 5:** Screw in the threaded portion of the anchors with a Phillips screwdriver.

NOTE: All 4 anchors must be installed to balance the pendants weight.



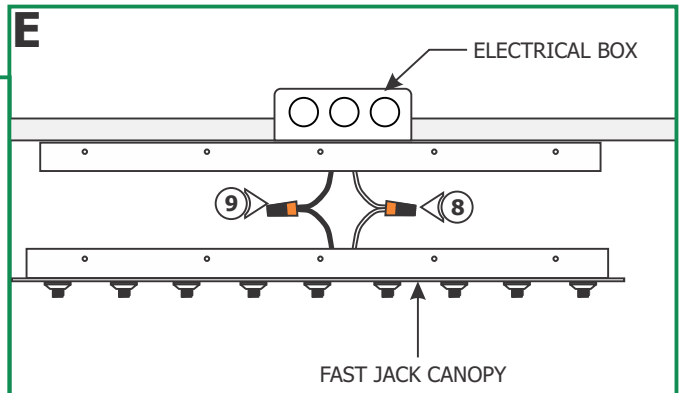
6: Secure the mounting plate to the anchors with the provided #8 screws and washers.

7: Make sure that the mounting plate is grounded in accordance with local electrical codes.

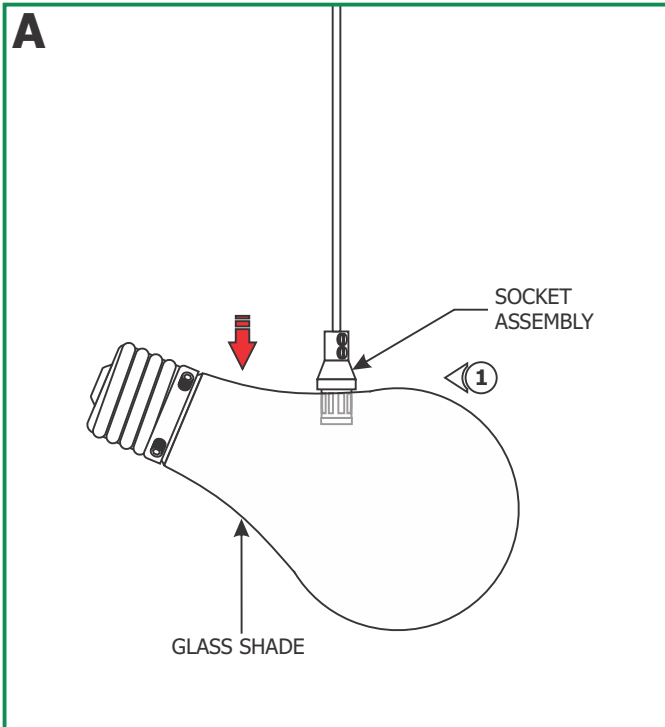
NOTE: Make sure a person holds the Fast Jack canopy while the electrician connects the wires and completes the installation.

8: Connect the Fast Jack white canopy wire to the neutral power wire with a wire nut.

9: Connect the Fast Jack black canopy wire to the hot power wire with a wire nut.

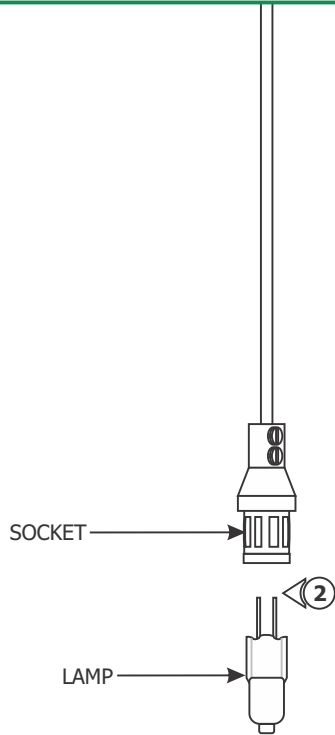


Installing ZZZ on Canopy



CAUTION: To reduce risk of a burn or electrical shock during lamping, disconnect the power to the fixture.

1: While holding the socket assembly, carefully pull the glass shade completely off.

B

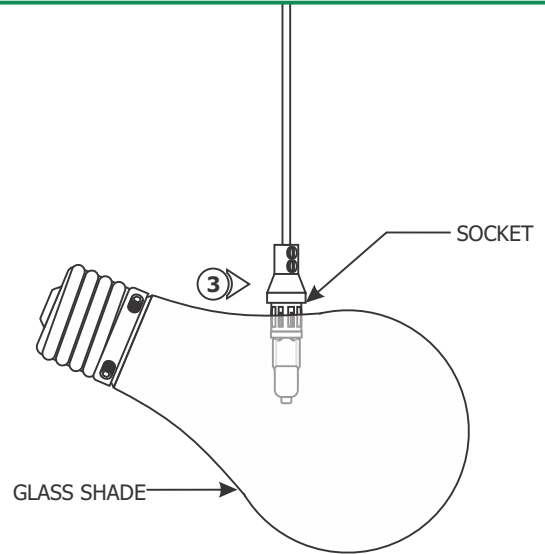
CAUTION: To reduce risk of a burn or electrical shock during lamping, disconnect the power to the fixture.

NOTE: Use only fingers and a soft cloth to install the lamps.

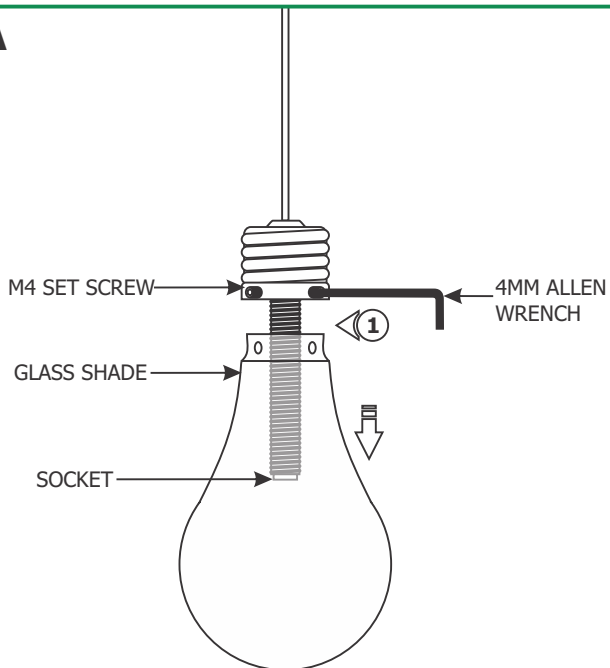
Use **MAX 20** Watt, Type Bi-Pin Halogen Lamp. 

2: Push the lamp pins completely into the socket holes.

3: Push the socket assembly back into the glass shade hole to secure in place.

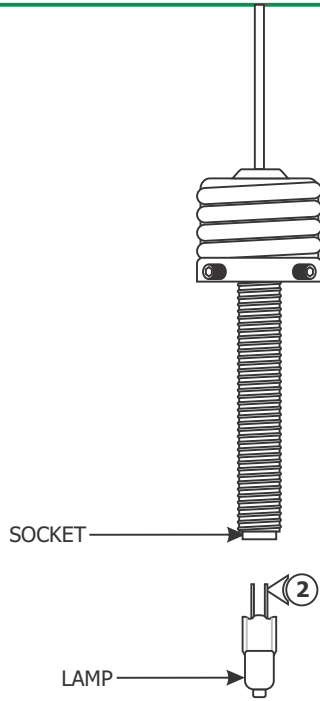
C

Installing Outlaw on Canopy

A

CAUTION: To reduce risk of a burn or electrical shock during lamping, disconnect the power to the fixture.

1: Slightly loosen the three M4 set screws (Do Not Remove) with the 2mm Allen wrench provided, to remove the glass shade.

B

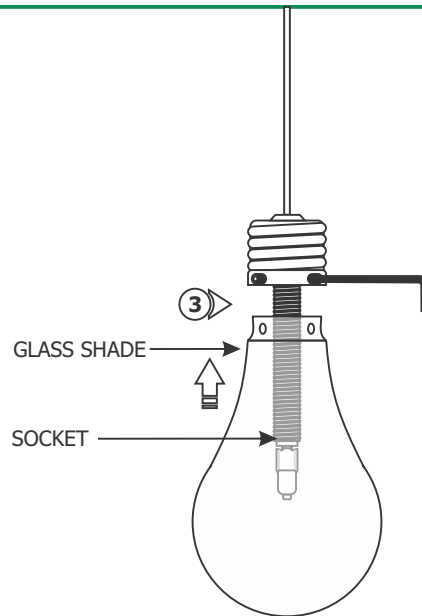
CAUTION: To reduce risk of a burn or electrical shock during lamping, disconnect the power to the fixture.

NOTE: Use only fingers and a soft cloth to install the lamps.

Use **MAX 20** Watt, Type Bi-Pin Halogen Lamp. 

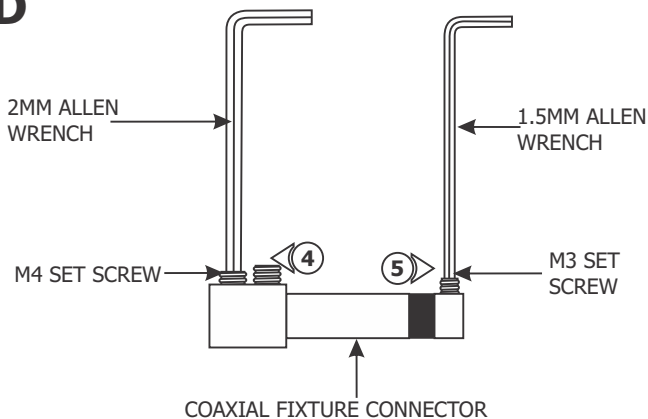
2: Push the lamp pins completely into the socket holes.

3: Align the socket assembly set screws to the glass shade hole. While holding the glass shade in place, secure it by tightening the three M4 set screws with the provided 2mm Allen wrench.

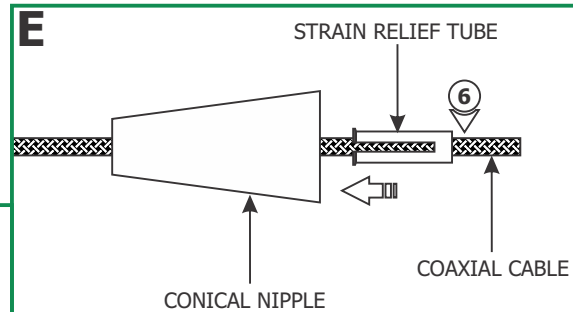
C

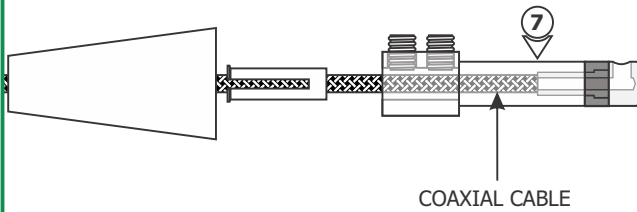
4: Loosen the two M4 set screw on base of the coaxial fixture connector with the 2mm Allen wrench provided. **Do not remove these set screws.**

5: Remove the M3 set screw on tip of the connector with the 1.5mm Allen wrench provided.

D

6: Feed the coaxial cable through the conical nipple and flared side of the strain relief tube. Slide the conical nipple and strain relief tube down the coaxial cable.

E

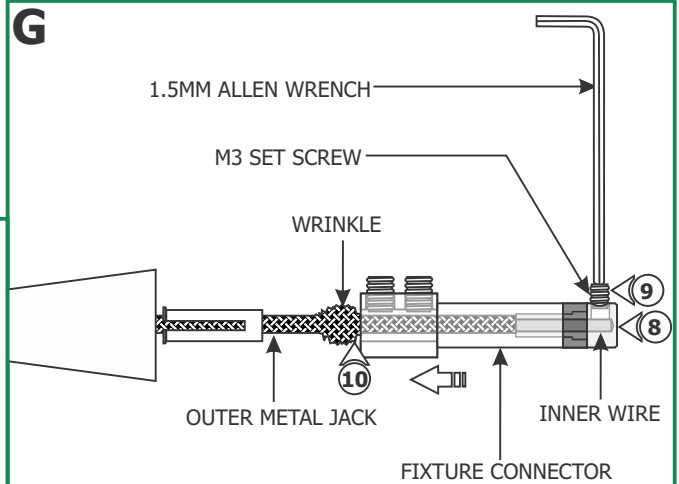
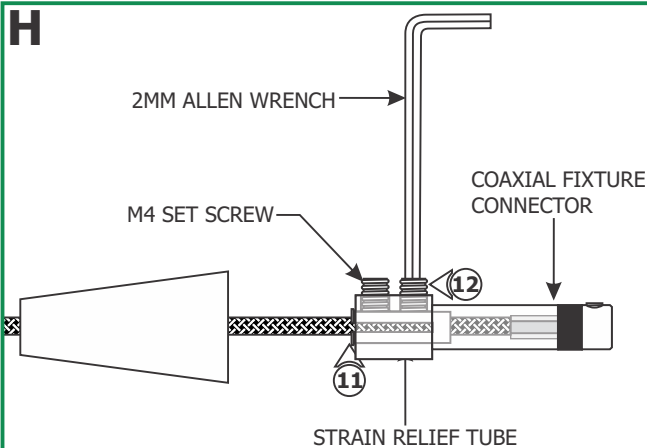
F

7: Feed the coaxial cable into the coaxial fixture connector. The coaxial cable will come to a stop point.

8: Keep feeding the coaxial cable in until the inner wire is visible in the screw hole of the fixture connector tip. The outer metal jacket will start to wrinkle.

8: Hold the fixture connector in place. Replace and tighten the M3 set screw on fixture connector tip with the 1.5mm Allen wrench.

10: Pull down the outer metal jacket to smooth the wrinkles.

G**H**

11: Push the strain relief tube completely into the coaxial fixture connector. Make sure the slot on the strain relief tube is not inline with the M4 set screw.

12: Tighten the two M4 set screws with the 2mm Allen wrench.

CAUTION: Maximum load of each port is **20** watt. Use only fixtures that are rated 20 Watt or less, or relamp each fixture with a **Maximum 20** watt lamp.

13: Use fingers to tighten each Fast Jack fixture connector into one Fast Jack canopy port.

J