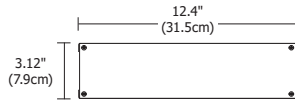


96W/24VDC Power Supply

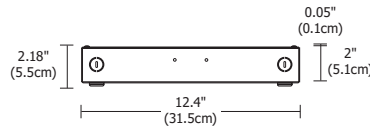
PSB-96W-010-24VDC



PSB-96W-010-24VDC



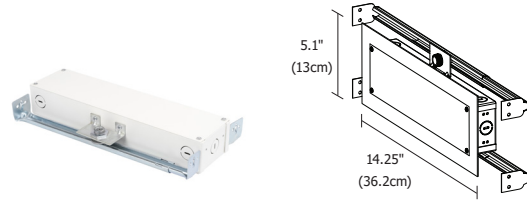
Top View



Side View

96W, 24VDC LOW VOLTAGE WIRE SIZE CHART: 3% VOLTAGE DROP

WIRE LENGTH (FT)	UP TO 33FT	34FT-52FT	53FT-86FT	87FT-130FT
WIRE SIZE	14 AWG	12 AWG	10 AWG	8 AWG
VOLTAGE AT END OF WIRE	23.28VDC	23.29VDC	23.28VDC	23.28VDC



PSB-96W-010-24VDC-1W

Description: Accepts input voltage in a range of 120 - 277VAC and outputs 24VDC power up to 96 watts. Can be used as a dimmable or non-dim Power Supply. The low voltage output dims down to 7% when two additional wires are connected to a 0-10V dimmer. The enclosure provides a space inside for electrical connections. In-Wall Power Supply Kit includes power supply, box cover and stud hangers for installing Junction Box in wall. Indoor applications only.

Applications: Indoor*

*To avoid overheating the power supply, install it in a ventilated remote location where air flows. Maintain proper spacing among power supplies when multiple power supplies are installed in the same remote location.

Power Input: 120-277 volts AC, 50/60Hz

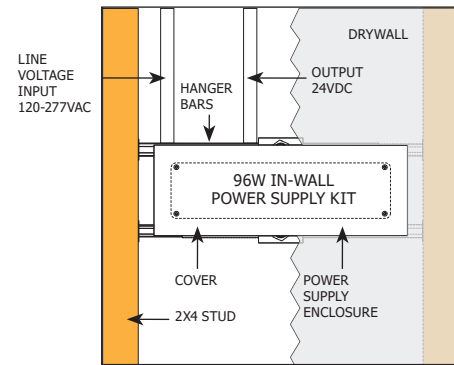
Power Output: Class 2, 24 volts DC 4A, 96 watts maximum

Dimensions: PSB-96W-010-24VDC: 12.4" x 3.12" x 2.18"

PSB-96W-010-24VDC-1W: 14.25" x 5.1" x 2.1"

Compatible Dimmers:

Lutron: Radio Ra2 (with GRX-TVI), Grafik Eye Qs (with GRX-TVI), Diva (with PP20); Nova T
 Philips: Sunrise SR1200ZTUNV
 Leviton: IP710-DL

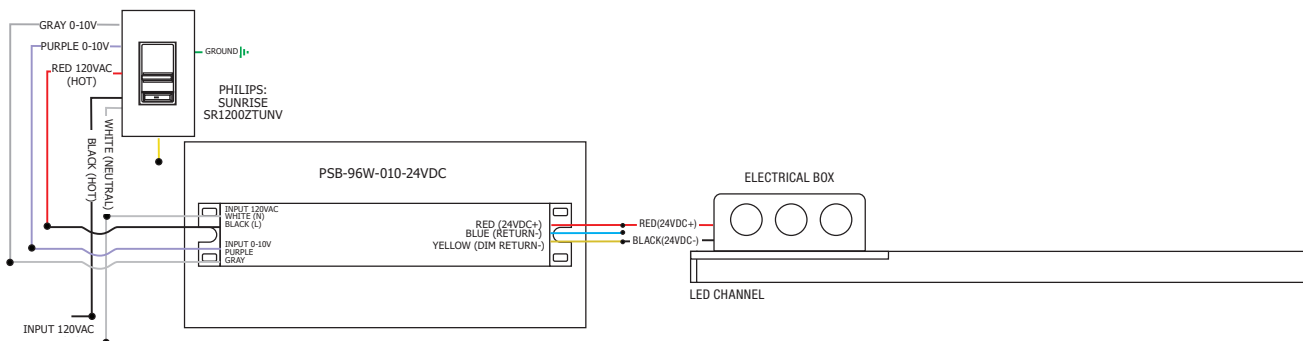


PSB-96W-010-24VDC-1W

96W POWER SUPPLY ORDERING CODE

Product	Wattage	Dimming	Voltage	Options
PSB	- 96W	- 010	- 24VDC	Standard (Leave Blank)

PSB Power Supply with Enclosure Box **96W** 96 Watt **010** 0-10 Volt Dimming **24VDC** 24 Volt DC **1W** In-Wall Kit



COMPANY		FIXTURE TYPE		DATE	
PROJECT		APPROVED BY			

Product specification subject to change without notification. REV. 12.28.16

A Division of PureEdge Lighting 1718 W. Fullerton Chicago, IL 60614 • Ph: 773.770.1196 • Fax: 773.883.6128 • www.purelighting.com

