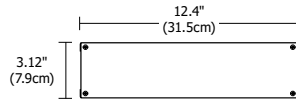


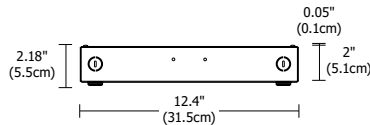
REV.01.20.17



PSB-96W-010-24VDC



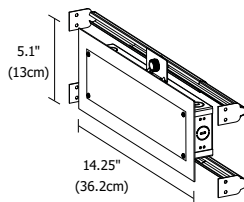
Top View



Side View



PSB-96W-010-24VDC-IW



PSB-96W-010-24VDC-IW

**Description:**

Accepts input voltage in a range of 120 - 277VAC and outputs 24VDC power up to 96 watts. Can be used as a dimmable or non-dim Power Supply. The low voltage output dims down to 7% when two additional wires are connected to a 0-10V dimmer. The enclosure provides a space inside for electrical connections. In-Wall Power Supply Kit includes power supply, box cover and stud hangers for installing Junction Box in wall. Power Supply features short circuit and overload protection. Indoor applications only.

**Applications:** Indoor\*

\*To avoid overheating the power supply, install it in a ventilated remote location where air flows. Maintain proper spacing among power supplies when multiple power supplies are installed in the same remote location.

**Power Input:**

120-277 volts AC, 50/60Hz

**Power Output:**

Class 2; 24 volts DC 4A, 96 watts maximum

**Dimensions:**

PSB-96W-010-24VDC: 12.4" x 3.12" x 2.18"

PSB-96W-010-24VDC-IW: 14.25" x 5.1" x 2.1"

**Dimmer Type:**

Lutron: Radio Ra2 (with GRX-TVI), Grafik Eye Qs (with GRX-TVI), Diva (with PP20); Nova T  
 Philips: Sunrise SR1200ZTUNV  
 Leviton: IP710-DL

Product	Wattage	Dimming	Voltage	Options
<b>PSB</b>	<b>96W</b>	<b>010</b>	<b>24VDC</b>	Standard (Leave Blank)
<small>PSB Power Supply with Enclosure Box</small>	<small>96W 96 Watt</small>	<small>010 0-10 Volt Dimming</small>	<small>24VDC 24 Volt DC</small>	<small>IW In-Wall Kit</small>

PROJECT:

FIXTURE  
TYPE:

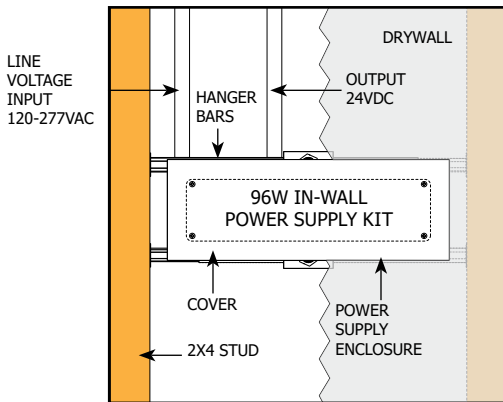
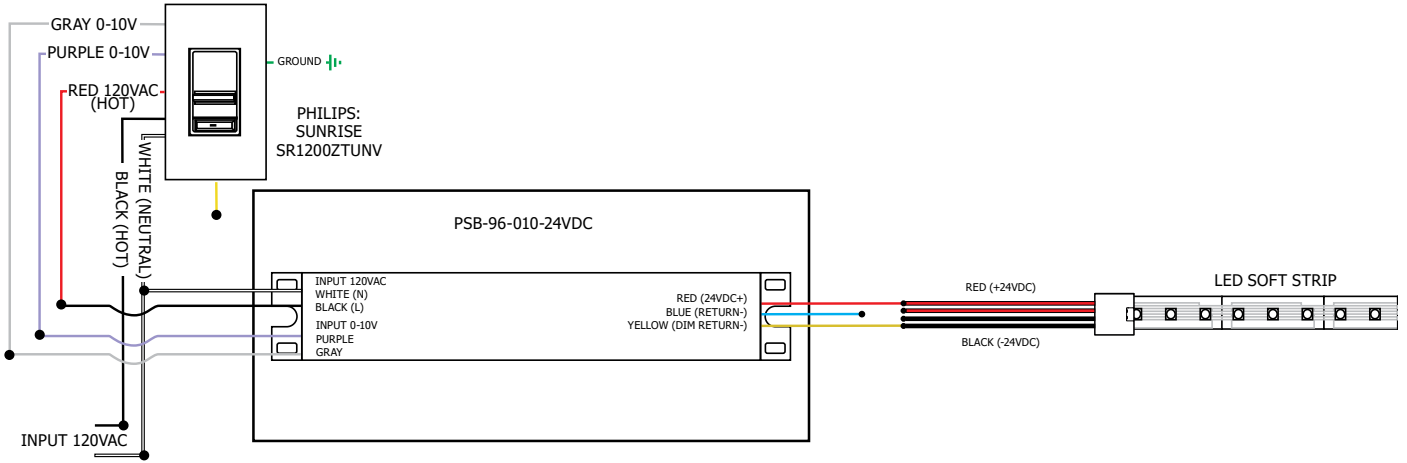
DATE:



REV01.20.17



**Application:** 0-10V dimming for LED Soft Strip



PSB-96W-010-24VDC-IW