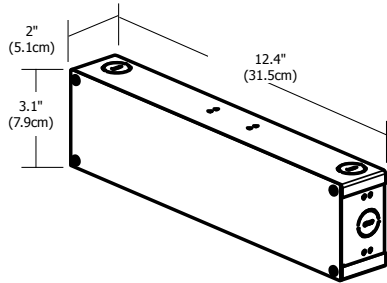


REV01.04.16



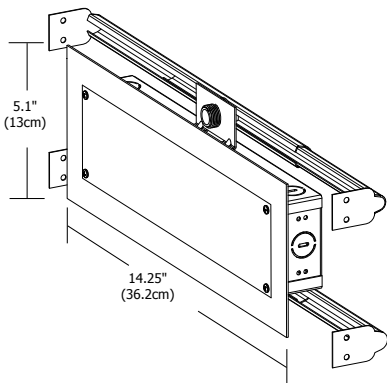
PSB-96W-010-24VDC



PSB-96W-010-24VDC



PSB-96W-010-24VDC-IW



PSB-96W-010-24VDC-IW

Description:

LED power supplies transform and regulate power from a line voltage power source into low voltage power for use with LED lighting. The PSB-96W-010-24VDC power supply accepts input voltage in range of 120-277 volts AC and outputs 24 volts DC power up to 96 watts. The power supply can be used as a dimmable or non-dim power supply. The low voltage output of this power supply dims down to 7% when two additional wires are connected to a 0-10V dimmer. The enclosure provides space inside for electrical connections. In-Wall Power Supply Kit includes power supply, box cover and stud hangers for installing junction box in wall.

Applications:

Indoor

Power Input:

120-277 volts AC, 50/60Hz

Power Output:

Class 2; 24 volts DC 4A, 96 watts maximum

Dimensions:

PSB-96W-010-24VDC: 12.4" x 3.1" x 2"

PSB-96W-010-24VDC-IW: 14.25" x 5.1" x 2.1"

Dimmer Type:

Lutron: Radio Ra2 (with GRX-TVI), Grafik Eye Qs (with GRX-TVI), Diva (with PP20); Nova T

Philips: Sunrise SR1200ZTUNV

Leviton: IP710-DL

Product	Wattage	Dimming	Voltage	Options
PSB	96W	010	24VDC	Standard (Leave Blank)
<small>PSB Power Supply with Enclosure Box</small>	<small>96W 96 Watt</small>	<small>010 0-10 Volt Dimming</small>	<small>24VDC 24 Volt DC</small>	<small>IW In-Wall Kit</small>

PROJECT:

FIXTURE TYPE:

DATE:



REV01.04.16



Application: 0-10V dimming for LED Soft Strip

