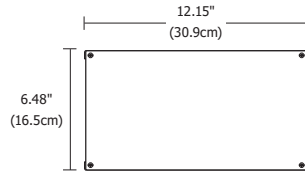


2x96W/24VDC Power Supply

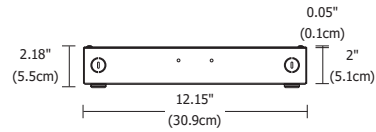
PSB-2X96W-010-24VDC



PSB-2X96W-010-24VDC



Top View



Side View

Description: Accepts input voltage in a range of 120 - 277VAC and outputs 24VDC power up to 2x96 watts. Can be used as a dimmable or non-dim Power Supply. The low voltage output dims down to 7% when two additional wires are connected to a 0-10V dimmer. In-Wall Power Supply Kit includes Power Supply, box cover and stud hangers for installing Junction Box in wall. Indoor applications only.

Applications: Indoor*

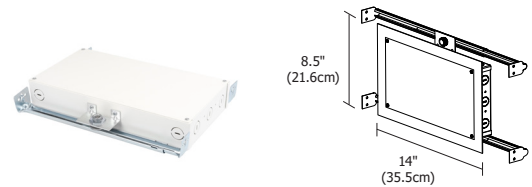
*To avoid overheating the power supply, install it in a ventilated remote location where air flows. Maintain proper spacing among power supplies when multiple power supplies are installed in the same remote location.

Power Input: 120-277 volts AC, 50/60Hz

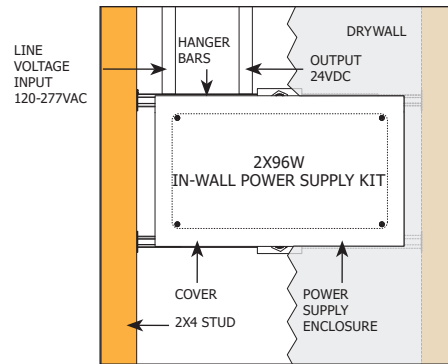
Power Output: Class 2, 24 volts DC 4A, 2X96 watts maximum

Dimensions: PSB-2X96W-010-24VDC: 12.15" x 6.48" x 2.18"
 PSB-2X96W-010-24VDC-IW: 14" x 8.5" x 4.3"

Compatible Dimmers: Lutron: Radio Ra2 (with GRX-TVI), Grafik Eye Qs (with GRX-TVI), Diva (with PP20); Nova T
 Philips: Sunrise SR1200ZTUNV
 Leviton: IP710-DL



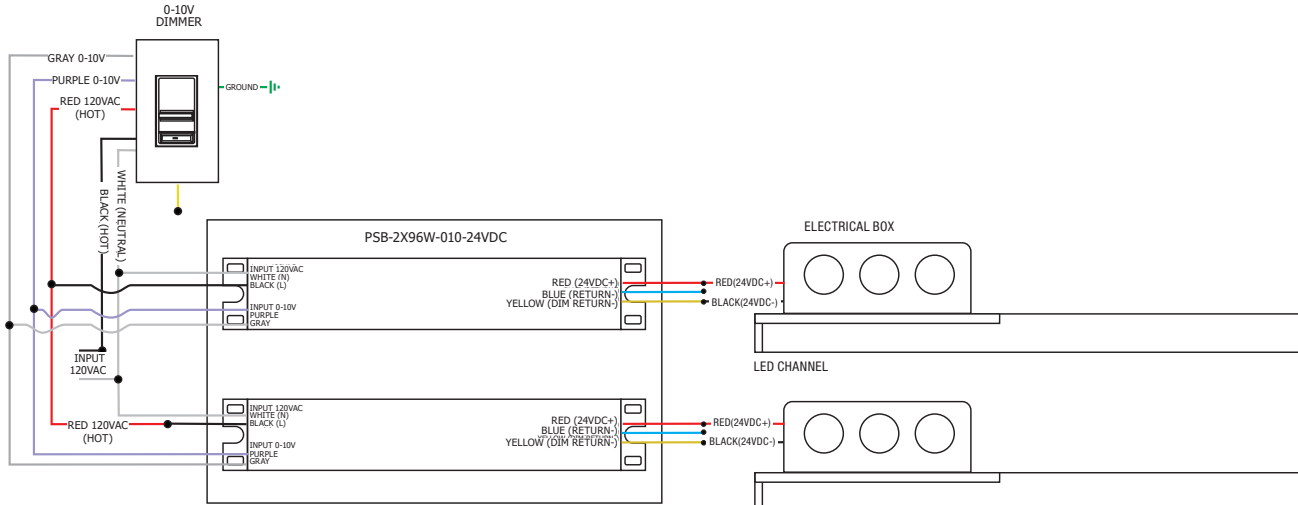
PSB-2X96W-010-24VDC-IW



PSB-2X96W-010-24VDC-IW

2X96 POWER SUPPLY ORDERING CODE

Product	Wattage	Dimming	Voltage	Options
PSB - 2X96W - 010 - 24VDC -				Standard (Leave Blank)
PSB Power Supply with Enclosure Box	2X96W 192 Watt	010 0-10 Volt Dimming	24VDC 24 Volt DC	IW In-Wall Kit



COMPANY	FIXTURE TYPE	DATE
PROJECT	APPROVED BY	

Product specification subject to change without notification. REV. 12.28.16

A Division of PureEdge Lighting 1718 W. Fullerton Chicago, IL 60614 • Ph: 773.770.1196 • Fax: 773.883.6128 • www.purelighting.com

