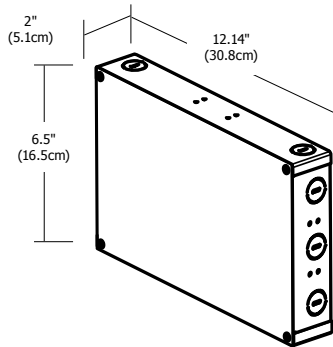


REV03.10.16



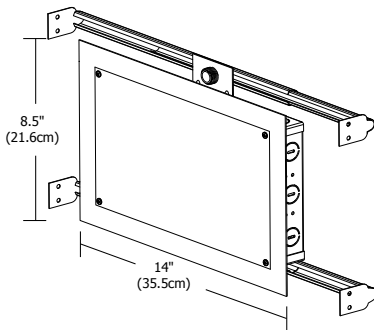
PSB-2X96W-010-24VDC



PSB-2X96W-010-24VDC



PSB-2X96W-010-24VDC-IW



PSB-2X96W-010-24VDC-IW

Description:

LED power supplies transform and regulate power from a line voltage power source into low voltage power for use with LED lighting. The PSB-2X96W-010-24VDC power supply accepts input voltage in total range of 120-277 volts AC and outputs 24 volts DC power up to 2x96 watts. The power supply can be used as a dimmable or non-dim version. The low voltage output of this power supply dims down to 7% when two additional wires are connected to a 0-10V dimmer. In-Wall Power Supply Kit includes power supply, box cover and stud hangers for installing junction box in wall.

Applications:

Indoor

Power Input:

120-277 volts AC, 50/60Hz

Power Output:

Class 2; 24 volts DC 2x4A, 2x96 watts maximum

Dimensions:

PSB-2X96W-010-24VDC: 12.14" x 6.5" x 2"

PSB-2X96W-010-24VDC-IW: 14" x 8.5" x 4.3"

Dimmer Type:

Lutron: Radio Ra2 (with GRX-TVI), Grafik Eye Qs (with GRX-TVI), Diva (with PP20); Nova T
 Philips: Sunrise SR1200ZTUNV
 Leviton: IP710-DL

Product	Wattage	Dimming	Voltage	Options
PSB	2X96W	010	24VDC	Standard (Leave Blank)
<small>PSB Power Supply with Enclosure Box</small>	<small>2X96W 2x96 Watt</small>	<small>010 0-10 Volt Dimming</small>	<small>24VDC 24 Volt DC</small>	<small>IW In-Wall Kit</small>

PROJECT:

FIXTURE TYPE:

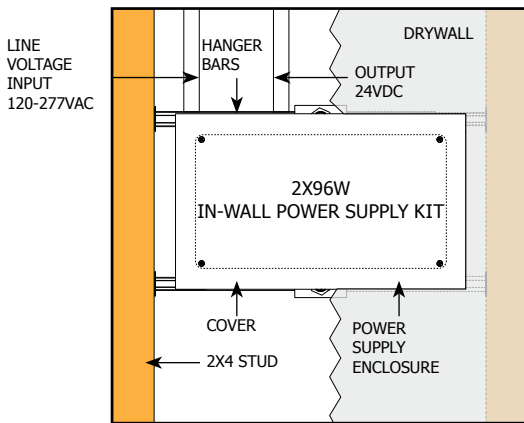
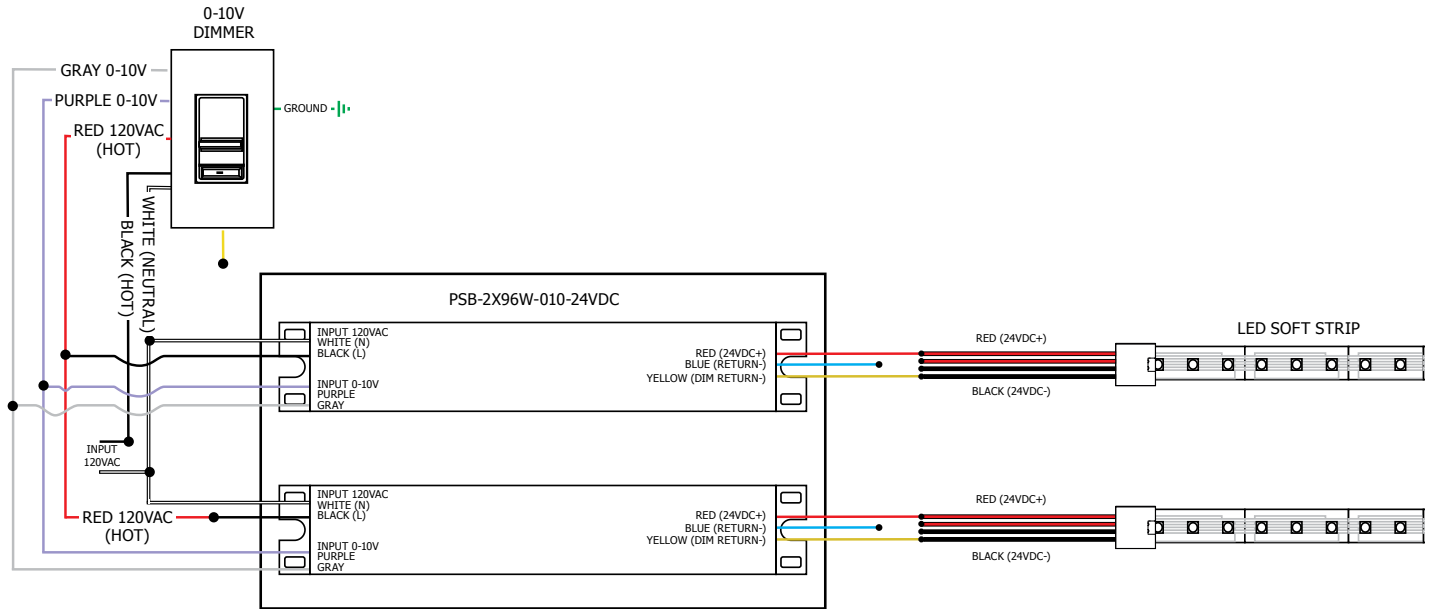
DATE:



REV03.10.16



Application: 0-10V dimming for LED Soft Strip



PSB-2X96W-010-24VDC-IW