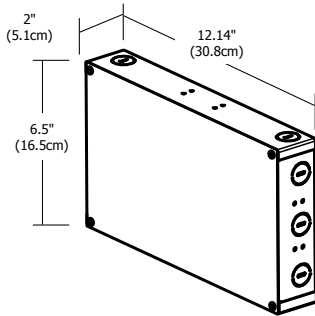


REV.10.17.16



Description:

LED power supplies transform and regulate power from a line voltage power source into low voltage power for use with LED lighting. The PSB-100W-24VDC-RGB power supply accepts input voltage ranging from 120-277 volts AC and outputs 24 volt DC power up to 100 watts. The integrated RGB Driver receives signals from CDP, CTP, CDMX1-RGBW, or CDMX1-2XK to control RGB color mixing and light intensity.

Applications:

Indoor*
 *To avoid overheating the power supply, install it in a ventilated remote location where air flows. Maintain proper spacing among power supplies when multiple power supplies are installed in the same remote location.

Power Input:

120-277VAC, 50/60Hz

Power Output:

Class 2; 24 volts DC 2x4.16A at 100 watts maximum

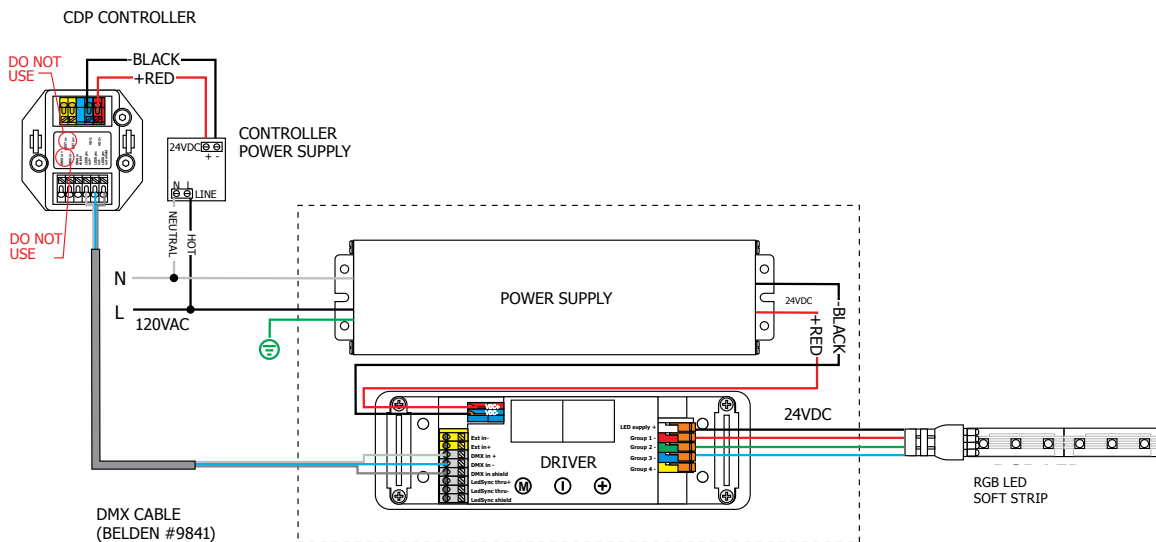
Dimensions:

12.14" x 6.5" x 2"

Compatible Controllers:

Touch Screen Controller with Power Supply (CTP), Color Dial Controller with Power Supply (CDP), DMX 1 Zone RGBW Touch Controller (CDMX1-RGBW), or Tunable White Touch Controller (CDMX1-2XK)

Product	Wattage	Voltage	Mode
PSB	100W	24VDC	RGB
PSB Power Supply with Enclosure Box	100W 100 Watt	24VDC 24 Volt DC	RGB Red, Green & Blue



PROJECT: _____ FIXTURE TYPE: _____ DATE: _____

