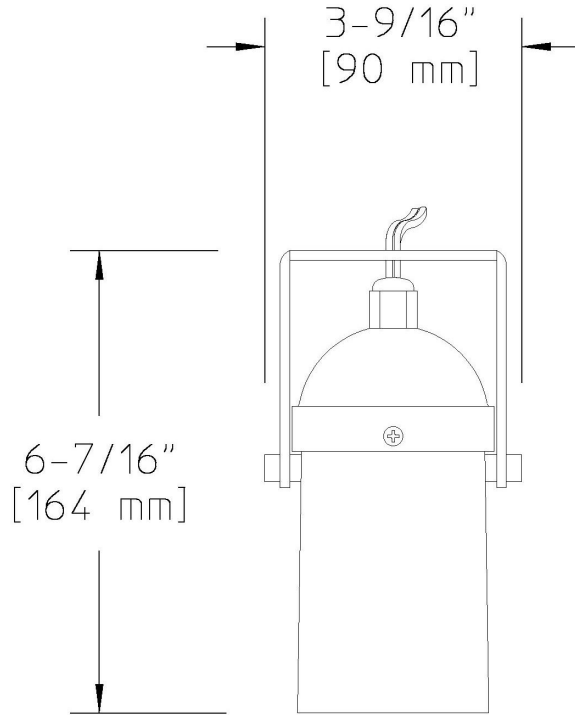


LED Aluminum Downlyte (DRL2) Specification Sheet

| | | |
|---------------|--------------|--------------------|
| Project Name: | Location: | MFG: Philips Hadco |
| Fixture Type: | Catalog No.: | Qty: |



Ordering Guide

Example: DRL2 A LED7 NF W

| | | |
|----------------------|----------|-----------------------|
| Product Code | DRL2 | LED Aluminum Downlyte |
| Finish | A G | Black Verde |
| Source/Lumens | LED7 | 7W LED |
| Optics | NF FL | Narrow Flood Flood |
| CCT | W | Warm |

*1 Fixture will be shipped with lamp. Lamp not sold separately.

Specifications

HOUSING:

Cast aluminum top cap with aluminum body and adjustable mounting yoke. Fasteners are 300 series stainless steel.

FINISH:

Thermoset polyester powdercoat is electrostatically applied after a five-stage conversion cleaning process and bonded by heat fusion thermosetting. Laboratory tested for superior weatherability and fade resistance in accordance with ASTM B117 specifications.

OPTICAL ASSEMBLY:

Clear tempered glass lens.

LAMPING:

7W lamp with 25° or 35° beam spread, 25,000 hours life. Color temperature (CCT): Warm White (3,000K nominal). No Mercury. Dimmable. Approximately 460 lumens.

ELECTRICAL ASSEMBLY:

12 Volt fixture is pre-wired with 3-ft pigtail of 18-2 AWG, 105° C, SPT-1W wire. Bi-pin socket type (GU5.3) with 250° C high temperature teflon coated wire leads. Low voltage quick connector, catalog #LVC3 included for easy hook-up to the low voltage supply cable, not included. 12 Volt system requires remote transformer, not included.

WARRANTY:

Five-year limited warranty.

CERTIFICATIONS:

ETL listed to U.S. safety standards for wet locations. cETL listed to Canadian safety standards for wet locations. Manufactured to ISO 9001:2008 Standards.

Height :

6 7/16" (154mm)

Width:

3 9/16" (71mm)

Max. Weight:

1.2 lb