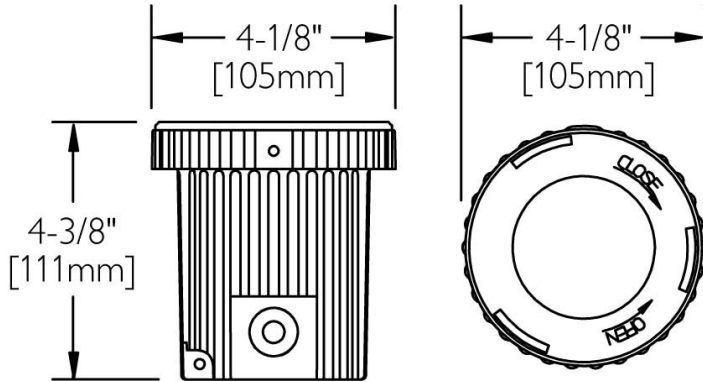


Composite Inground (IUL516) Specification Sheet

Project Name:	Location:	MFG: Philips Hadco
Fixture Type:	Catalog No.:	Qty:



Ordering Guide

Example: IUL516 H

Product Code	IUL516	Composite Inground
Finish	H	Bronze

Specifications

HOUSING:

One-piece injection molded ULTEM® High Performance Polymer composite. Lens ring is a Single-piece injection molded ULTEM® High Performance Polymer with gasketed lens. Twist-off operation for ease of maintenance.

FINISH:

Composite is textured, pressure formed, molded-in-color.

OPTICAL ASSEMBLY:

Clear convex, tempered glass furnished with silicone O-ring for watertight seal.

LAMPING:

35W maximum MR16 bi-pin lamp. Lower wattage lamps are acceptable. Covered MR16 are recommended to protect lamps inner capsule.

ELECTRICAL ASSEMBLY:

Bi-pin socket type (GU5.3) with 250° C high temperature teflon coated wire leads. 12 Volt fixture is pre-wired with 3-ft pigtail of 18-2 AWG, 105° C, SPT-1W wire. Low voltage quick connector, catalog #LVC3 included for easy hook-up to the low voltage supply cable, not included. 12 Volt system requires remote transformer, not included.

ACCESSORIES:

IBL16 Ice Blue Lens. ISL16 Spread Lens. IAS16 Linear Spread Lens. ICG16 - Internal snap on Honeycomb louver (Lamp MR16). CP5 - Concrete Pour Kit.

WARRANTY:

Ten-year limited warranty.

CERTIFICATIONS:

ETL listed to U.S. safety standards for wet locations. cETL listed to Canadian safety standards for wet locations. Manufactured to ISO 9001:2008 Standards.

Height :

4 3/8" (111mm)

Width:

4 1/8" (105mm)

Max. Weight:

1.24 lb