

# INSTALLATION INSTRUCTIONS: DB30, DB21, AND DB14 BOLLARDS

## CAUTION

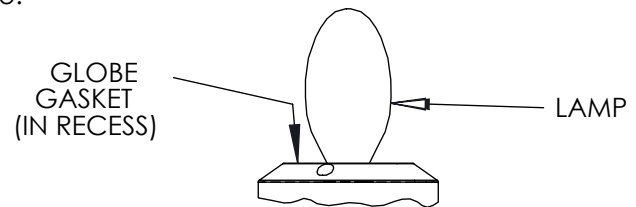
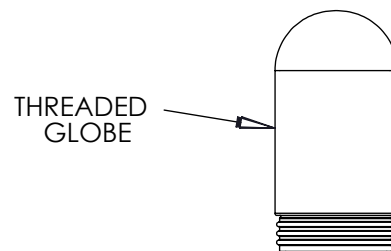
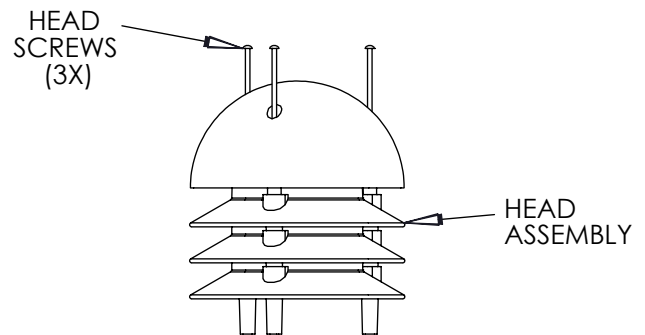
1. **WARNING : TURN POWER OFF BEFORE INSTALLING OR PERFORMING ANY MAINTENANCE ON THIS FIXTURE.** Failure to do so may result in severe injury or death.
2. **GFI PROTECTION!** Fixtures which may come in contact with or be exposed to moisture (i.e. outdoors) shall be installed on a GFI (Ground Fault Interruptor) circuit. (120V only.)
3. The fixture should not be installed in low lying areas or where water may accumulate and stand for long periods of time.

## INSTALLATION

1. **WARNING :** Make sure the power is off before installing or servicing this fixture.
2. Install the anchor rods into a concrete footing as indicated on the supplied template. Install and level the baseplate with ballast assembly as shown on the template.
3. Connect the supply lines from the supply conduit to the fixture's input leads according to NEC procedures. Tie the wires so they do not lie on the ground. HID & Fluorescent : Connect the lamp supply quick-connect to the ballast quick-connect pigtail.
4. Set the fixture onto the baseplate and tighten the three mounting screws to secure the fixture. Be sure not to crimp any wires between the baseplate and tube.
5. Install a lamp per the relamping instructions below and test the fixture for proper operation.

## RELAMPING

Make sure power is off before relamping. Loosen the three head screws on top of the head assembly until the assembly is loose. Lift the head assembly entirely off, lifting by the louvers, not the roof. Unscrew the globe and set it aside. Replace the lamp or install a new one per the lamp style on the lamp label. HID fixtures should use coated lamps for best results. Make sure the globe gasket is correctly seated, and securely replace the globe. Set the head onto the fixture and tighten the three head screws securely.



NOTE : LAMP STYLE WILL VARY WITH FIXTURE OPTIONS.



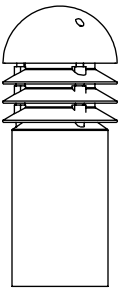
This fixture is intended for installation in accordance with the National Electrical Code and local code specifications. Failure to adhere to these codes and instructions may result in serious injury and/or damage to the ballast and void the warranty. These instructions do not purport to cover all details or variations in equipment, nor to provide for every possible contingency related to installation, operation, maintenance, or mounting situation. Should specific problems occur that are not addressed by these instructions, contact your Sales Representative or distributor for assistance. Retain these instructions for future reference.

STANDARD  
FIXTURE  
STYLES

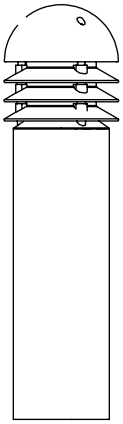
30"  
HID,  
FLUOR.,  
& INC.

21"  
HID,  
FLUOR.,  
& INC.

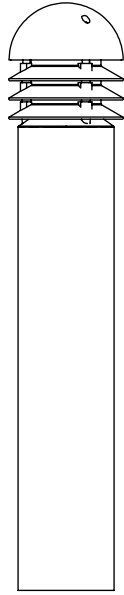
14"  
INC.  
ONLY



DB14



DB21



DB30

NOTE : FIXTURE STYLE AND BALLAST TYPE  
WILL VARY WITH FIXTURE OPTIONS.  
PICTURED TO THE RIGHT : DB17 HID.

HEAD MOUNTING  
SCREWS, (3X)

HEAD  
ASSEMBLY

LAMP

GLOBE

TUBE

BALLAST  
ASSEMBLY

QUICK-  
CONNECT

CONDUIT STUB  
(BY OTHERS)

BASE  
PLATE

MOUNTING  
SCREWS, (3X)

LEVELING NUTS (3X)

ANCHOR RODS (3X)  
SET IN POURED  
CONCRETE FOOTER

