

PART NO: 32000875

EH	C	06-117	KAR	7/5/06
BJB	D	08-039	JGB	7/9/08
WHD	E	09-065	ALD	7/14/09
APPR	REV	ISO DOC	BY	DATE

THIS PAGE IS ONLY A COVER SHEET

**SEE THE FOLLOWING PAGES FOR
ACTUAL INSTRUCTION SHEET**

PART NO: 32000875



100 Craftway, PO Box 128
Littlestown, PA 17340-0128
Phone: 717-359-7131
Fax: 717-359-9515
www.hadco.com

UNLESS OTHERWISE SPECIFIED:
*ALL DIMENSIONS ARE IN INCHES.
*ALL THREADS ARE UNC-2B OR UNF-2B
AFTER COATING.
*ALL THREADS ARE TO BE VERIFIED
WITH A THREAD GAGE.

CONFIDENTIAL:

This drawing is confidential and proprietary to HADCO®, a Philips group brand (HADCO) and may not be reproduced without the express written consent of HADCO. Any use hereof or of any of the information or detail herein shall be for the sole benefit of HADCO.
© 2009 HADCO®, a Philips group brand

DRAWN BY: K. A. RENNER DATE: 7/15/97

CHECKED BY: B. DORON DATE: 7/14/09

APPR BY: E. HADDAD DATE: 7/15/97

EF-04-01-11 Rev.08 SCALE 1:1 SHEET 1 OF 3

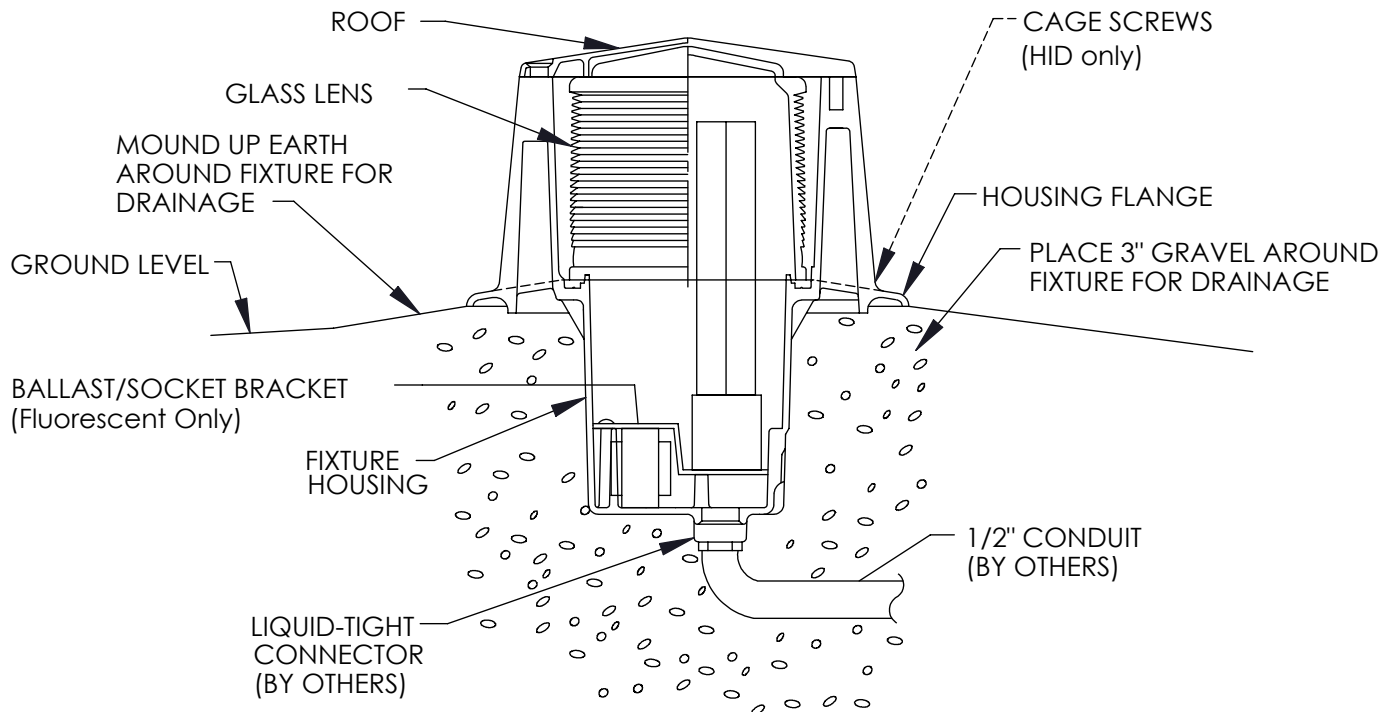
TITLE:

INSTRUCTION SHEET FOR INGROUND
BEACONS 1010/1012/1019

DWG NO: 32000875 SIZE: A

MATERIAL:
8.5 X 11.0 WHITE BOND PAPER, PRINTED
BOTH SIDES, BLACK INK

* DO NOT SCALE THIS DRAWING *

**INSTALLATION INSTRUCTIONS:
FOR INGROUND BEACONS
1010, 1012, 1019****INSTALLATION INSTRUCTIONS**

Excavate soil for fixture placement and conduit runs. Contour the hole to the shape of the fixture housing, allowing an additional 3" min. around and under the housing for placement of granular material. Choose the appropriate following instructions for your fixture to wire or relamp.

All HID Fixtures:

Remove (4) cage screws, and lift fixture/ballast assembly up and out of housing. Connect conduit to fixture using following instructions. Wire fixture according to NEC and local electrical codes. Replace fixture/ballast assembly and (4) cage screws. Remove roof screws, roof, and lens. Install specified lamp. Replace lens, roof, and screws.

All FLUORESCENT, & Composite INCANDESCENT Fixtures:

Remove roof screws, roof, and lens. Remove (2) screws from socket bracket, and pull socket/ballast assembly out of fixture. Connect conduit to fixtures using following instructions. Wire fixture according to NEC and local electrical codes. Replace socket/ballast assembly and (2) screws. Install specified lamp. Replace lens, roof, and roof screws.

Aluminum and Bronze INCANDESCENT Fixtures:

Remove (3) roof screws, roof, and lens. Remove the socket. Connect conduit to fixture using the following instructions. Wire fixture according to NEC and local electrical codes. Replace the socket and install the specified lamp. Replace the lens, roof, and roof screws.



This fixture is intended for installation in accordance with the National Electrical Code and local code specifications. Failure to adhere to these codes and instructions may result in serious injury and/or damage to the ballast and void the warranty. These instructions do not purport to cover all details or variations in equipment, nor to provide for every possible contingency related to installation, operation, maintenance, or mounting situation. Should specific problems occur that are not addressed by these instructions, contact your Sales Representative or distributor for assistance. Retain these instructions for future reference.

CONDUIT CONNECTION

Connect conduit fitting(s) to the housing using a thread sealant, and tighten to 16 ft-lbs max. using a torque wrench. Improper torque procedure may cause damage to the fixture housing and void the warranty. To prevent water entry into the fixture, conduit entries must be sealed and potted. HADCO recommends potting the wiring splice compartment with two part epoxy (#10000049, available from HADCO) or equivalent.

IMPORTANT!

All gasket seating surfaces must be clean and free of debris before attempting to replace the cage, lens, or roof. If debris in gasket areas or screw holes prevents the proper sealing of gaskets, it must be blown clear, or holes may be cleared with a tap drill. When replacing the roof, use an alternating torque sequence of 20-30 inch-lbs.

When backfilling, housing flange should be just above ground level as shown in the illustration. Fixture housing should be surrounded by a 3" minimum layer of sand or gravel to insure proper drainage. For concrete pour installations, the housing is to be placed on a 4" min. bed of gravel with soil below. It is recommended that fixtures not be placed in low locations where water could accumulate and stand for long periods of time. When installing fixtures, hilling up earth around the fixture will promote good water run-off and prevent debris accumulation.

CAUTION!

Always turn power OFF before installing or servicing a fixture.

Fixtures must not be installed in insulating materials such as vermiculite or bark, etc. for the full depth of the fixtures. Installation in these materials may cause the fixture to overheat and void the warranty. Surface use of these materials is acceptable.

Fixtures must be regularly maintained and cleared of leaves, mulch, and other debris to avoid the risk of fire.

