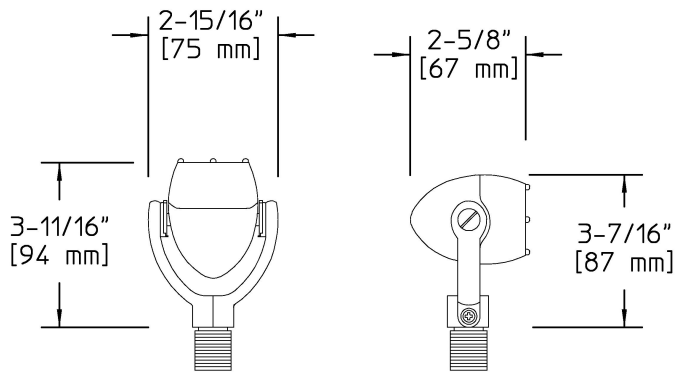


Brass Bullyte (EL1) Specification Sheet

Project Name:	Location:	MFG: Philips Hadco
Fixture Type:	Catalog No.:	Qty:



Ordering Guide

Example: EL1 N S7

Product Code	EL1	Brass Bullyte
Finish	N	Natural Brass
Mounting	S7	Mounting Stake *1

*1 Mounting stake is optional.

Specifications

HOUSING:

Die-cast brass. Fully-adjustable brass yoke-mounted arm and brass screws. 1/2" NPS male threads to screw onto accessory mounting stake or junction box, sold separately. Gasketing is silicone. Fasteners are 400 series brass.

FINISH:

Natural Brass (N) is as-cast and tumble polished.

OPTICAL ASSEMBLY:

30° aluminum reflector. Clear tempered glass lens.

LAMPING:

10W maximum T3 bi-pin lamp. Lamp is included with fixture. Lower wattage lamps are acceptable.

ELECTRICAL ASSEMBLY:

Bi-pin socket type (G4) with 250° C high temperature teflon coated wire leads. 12 Volt fixture is pre-wired with 3-ft pigtail of 18-2 AWG, 105° C, SPT-1W wire. Low voltage quick connector, catalog #LVC3 included for easy hook-up to the low voltage supply cable, not included. 12 Volt system requires remote transformer, not included.

WARRANTY:

Lifetime limited warranty.

CERTIFICATIONS:

ETL listed to U.S. safety standards for wet locations. cETL listed to Canadian safety standards for wet locations. Manufactured to ISO 9001:2008 Standards.

Width:

2 15/16" (75mm)

Depth:

2 5/8" (67mm)

Max. Weight:

1.5 lb