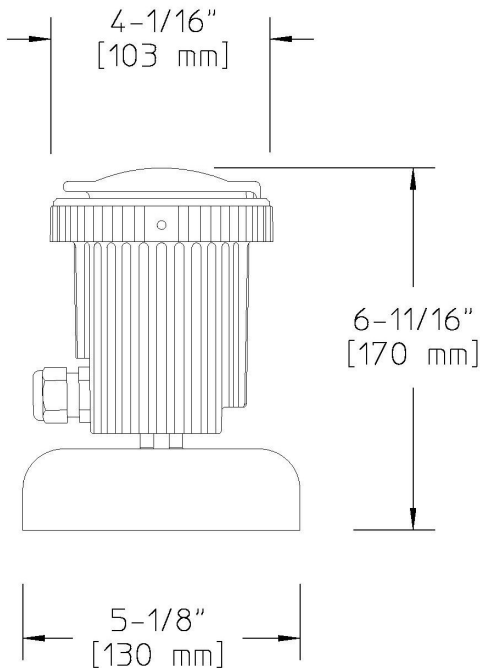


Composite Underwater (UWUL516) Specification Sheet

Project Name:	Location:	MFG: Philips Hadco
Fixture Type:	Catalog No.:	Qty:



Ordering Guide

Example: UWUL516 H

Product Code	UWUL516	Composite Underwater
Finish	H	Bronze

Specifications

HOUSING:

One-piece injection molded ULTEM® High Performance Polymer composite. Fasteners are 300 series stainless steel. Lens ring is a Single-piece injection molded ULTEM® High Performance Polymer with gasketed lens. Twist-off operation for ease of maintenance.

OPTICAL ASSEMBLY:

Clear tempered glass lens.

LAMPING:

50W maximum MR16 bi-pin lamp. Lower wattage lamps are acceptable. Lamp is not included.

ELECTRICAL ASSEMBLY:

Standard 10 ft. 18-2, 105° C, STWA water-resistant cord. Fixture is prewired and potted to prevent water entry. Bi-pin socket type (GU5.3) with 250° C high temperature teflon coated wire leads. 12 Volt system requires remote transformer, not included.

MOUNTING:

Weighted concrete with swivel to allow up to 90° aiming.

WARRANTY:

Three-year limited warranty.

CERTIFICATIONS:

ETL listed to U.S. safety standards for wet locations. cETL listed to Canadian safety standards for wet locations. Manufactured to ISO 9001:2008 Standards.

Height :

6 11/16" (170mm)

Width:

5 1/8" (130mm)

Max. Weight:

5.04 lb.