

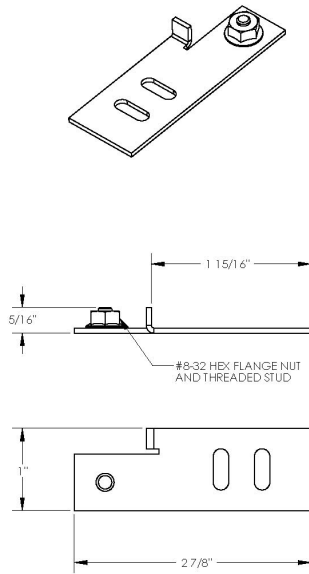
Linelyte Mounting Plate (MPLLL) Specification Sheet

Project Name:	Location:	MFG: Philips Hadco
Fixture Type:	Catalog No.:	Qty:

Ordering Guide

Example: MPLLL

Product Code	MPLLL	Linelyte Mounting Plate
--------------	-------	-------------------------



Specifications

FINISH:

Stainless Steel has satin matte finish.

MOUNTING:

Brackets attach to Linelyter with two hex nuts (included).

Bracket is inserted between two blocks or bricks, held in place by the top block.