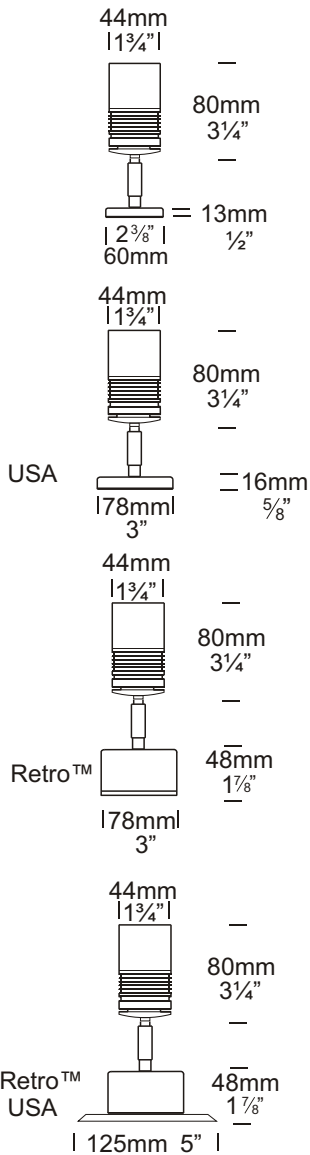


Euro Wall Spot

Cat. No. EWS

Cat. No. EWS/R



The Euro Wall Spot is for situations where the luminaire needs to be discreet. The smaller sized MR11 lamp is utilised to achieve this. The spotlight can be aimed in any direction. This luminaire has a fully adjustable arm allowing 360 degree rotation and 0 - 90 degree elevation with a built-in glare guard. The Euro Wall Spot has been designed to be mounted on walls and provide directional light for pathways and structural elements of a building.

The Retro™ is a 110/240-12 ac mains option suited to an installation where mounting a transformer is a problem, e.g. a brick wall where there is only the cable protruding out of the wall and it is not an option to recess the transformer or when replacing an existing light fitting. The base size increases in size to accommodate the encapsulated IP66 dimmable transformer.

Ordering Information

Luminaire Type	Material	Accessories
EWS - Euro Wall Spot	COP - Copper SS - 316 Stainless Steel	CJK150 - Cable Joint Kit LENSEURF - Frost Lens /R - Retro™ Transformer 110/240-12 volt WBAP - Wall Box Adaptor Plate (12 volt Luminaire)
<p>Ordering Example: EWS SS - Euro Twin Wall Spot in 316 Stainless Steel EWS/R COP - Euro Twin Wall Spot Retro™ in Copper</p> <p>CJK150 - Cable Joint Kit (Accessories ordered separately)</p>		



HUNZA™ PURE OUTDOOR LIGHTING

HUNZA FACTORY
130 Felton Mathew Ave
Glen Innes
Auckland 1072
New Zealand

Ph: 64-9-528 9471
Fax: 64-9-528 9361
hunza@hunza.co.nz
www.hunza.co.nz

INTERNATIONAL CONTACTS:
www.hunza.co.nz/contacts.php

Specifications may change without notice.
Manufactured in New Zealand.
© 2011 Hunza Holdings Ltd.

Ver 1.4

Luminaire Construction

CNC machined from one of the following metals:

Body:

Copper 45.4mm (1¾") rod.

Base:

Copper hand spun 2mm (3/16")

Body:

316 Stainless steel 45.4mm (1¾") rod.

Base:

Investment cast and CNC machined.

Mounting

12 volt: the luminaire is mounted to the wall using two 316 stainless screws through a shallow base 16mm (5/8") in depth. A Wall Box Adaptor Plate is available as an accessory to fit 3.0 and 4.0 junction box for USA/Canada.

Retro™ luminaire (110/240-12 volt): a mounting plate is fixed to the wall using two screws and then the luminaire is fitted to the mounting plate.

Features

Lens:

6mm (¼") clear flush fit shatter resistant glass with Hex Cell Louvre for glare control.

Lifetime Warranty.

Gaskets:

Silicone, iron impregnated 220°C (428°F).

Lamp Holder:

GU4 - 350°C (662°F) ceramic multi contact lamp holder with 180°C (356°F) silicone cables.

Accessories:

Cable Joint Kit (Cat. CJK150)

Not approved for USA /Canada.

Frost Lens (Cat. LENSEURF).

Retro™ transformer 110/240-12 volt (Cat. /R).

Wall Box Adaptor Plate for 12volt luminaires (Cat. WBAP).

Swivel:

Copper luminaires - 360° rotation and 0 - 90° elevation, solid brass with anti rust spring.

Stainless Steel luminaires - 360° rotation and 0 - 90° elevation, full stainless steel construction.

Standards

IP66 AS/NZS 61046 UL1838



Luminaire Weight

12 volt

Cop .700kg (1lb 8oz)

SS .655 (1lb 7oz)

Retro™

Cop 1.120kg (2lb 7oz)

SS 1.150kg (2lb 8oz)

Power Supply

HUNZA™ Inground or Wall Mount Transformer: not included.

USA and Canada:

HUNZA™ Wall Mount Transformer: not included.

RETRO™

HUNZA™ 110/240-12 volt ac potted electronic transformer built into the Retro™ base. Dimmable with a suitable dimmer.

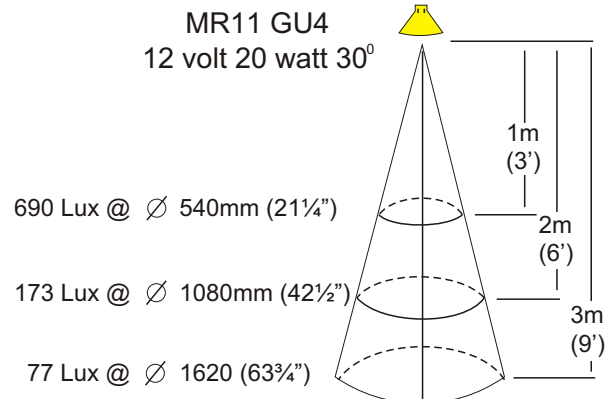
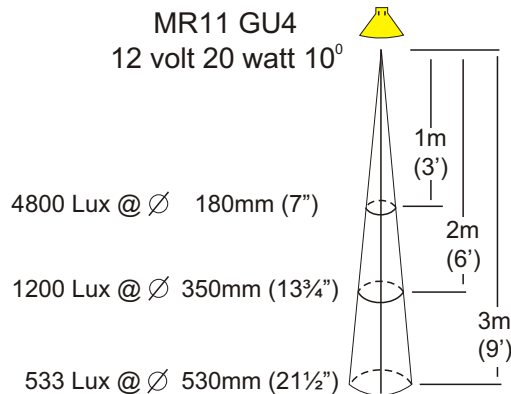
* Note see page 9.4 for details.

Lamp Type

MR11 GU4 - 20 watt lamp max.

USA and Canada:

MR11 GU4 - 10 watt lamp max.



HUNZA™ PURE
OUTDOOR
LIGHTING

HUNZA FACTORY
130 Felton Mathew Ave
Glen Innes
Auckland 1072
New Zealand

Ph: 64-9-528 9471
Fax: 64-9-528 9361
hunza@hunza.co.nz
www.hunza.co.nz

INTERNATIONAL CONTACTS:
www.hunza.co.nz/contacts.php

Specifications may change without notice.
Manufactured in New Zealand.
© 2011 Hunza Holdings Ltd.

Ver 1.4