

JUNO

5" IC 900 LUMEN LED DOWNLIGHT NEW CONSTRUCTION

Project: _____

Fixture Type: _____

Location: _____

Contact/Phone: _____

IC920LEDG4 RECESSED HOUSING

**OPEN TRIMS****PRODUCT DESCRIPTION**

Dedicated LED, Air-Loc® sealed new construction housing with integral light engine • Shallow housing allows for fit in 2 x 6 construction • Can be completely covered with insulation • Fully sealed housing stops infiltration and exfiltration of air, reducing heating and air cooling costs without the use of additional gaskets • LED housing is designed to provide 50,000 hours of life and is compatible with many standard Juno trims • 5 year limited warranty on LED components.

ENVIRONMENTALLY FRIENDLY, ENERGY EFFICIENT

- No harmful ultraviolet or infrared wavelengths
- No lead or mercury
- Comparable light output to 75W PAR30 incandescent

PRODUCT SPECIFICATIONS

LED Light Engine LED array integrated to thermally conductive housing provides uninterrupted heat transfer to ensure long life of the LED

- Replaceable light engine mounts directly to housing and incorporates the latest generation, high lumen output LED array • LEDs are binned within a 3-step MacAdam Ellipse exceeding ENERGY STAR® requirements for superior fixture to fixture color uniformity • 2700K, 3000K, 3500K, or 4100K color temperatures available • 90 CRI minimum.

Optical System Computer-optimized reflector design with high reflectance white finish coupled with a high transmission diffusing lens conceals the LEDs and produces uniform aperture luminance • Deep regression of lens produces a low glare, efficient system that produces 900 lumens typical with select trims • Wide flood distribution shipped as standard with optional optic accessories available and sold separately.

Aesthetic Trim Selections Compatible with wide selection of existing Juno trims • Shadow free, knife edge design blends seamlessly into ceiling.

LED Driver Choice of dedicated 120 volt driver or universal voltage driver that accommodates input voltages from 120-277 volts AC at 50/60Hz • Power factor > 0.9 at 120V input • 120 volt only driver is dimmable with the use of most incandescent, magnetic low voltage and electronic low voltage wall box dimmers • Universal voltage driver is dimmable with the use of most 0-10V wall box dimmers • For a list of compatible dimmers, see [JUNOICLED-DIM](#) • Mounted between the j-box and housing for easy access and cool operation.

Life Rated for 50,000 hours at 70% lumen maintenance.

Labels ENERGY STAR® Qualified when used with select baffle and cone trims • Certified to the high efficacy requirements of California T24 with select trims • UL listed for U.S. and Canada through-branch wiring, damp locations • Union made • UL and cUL.

Testing All reports are based on published industry procedures; field performance may differ from laboratory performance.

Product specifications subject to change without notice.

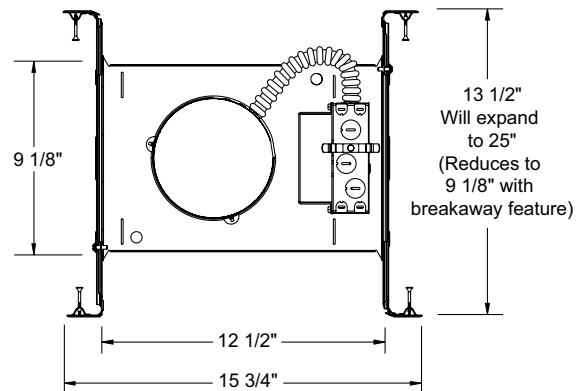
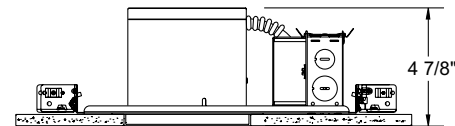
HOUSING FEATURES

Housing Designed for use in IC (insulated ceiling) or non-IC construction • Aluminum housing sealed for Air-Loc® compliance • Housing is vertically adjustable to accommodate up to a 2" ceiling thickness.

Junction Box Pre-wired junction box provided with (5) 1/2" and (1) 3/4" knockouts, (4) knockouts for 12/2 or 14/2 NM cable and ground wire • UL listed and cUL listed for through-branch wiring, maximum 8 #12 branch circuit conductors • Junction box provided with removable access plates • Knockouts equipped with pryout slots • Quick connect electrical connectors supplied as standard for fast, secure installation.

Mounting Frame 22-gauge die-formed galvanized steel mounting frame • Rough-in section (junction box, mounting frame, housing and bar hangers) fully assembled for ease of installation.

Real Nail 3 Bar Hangers Telescoping Real Nail® 3 system permits quick placement of housing anywhere within 24" O.C. joists or suspended ceilings • Includes removable nail for repositioning of fixture in wood joist construction • Integral T-bar notch and clip for suspended ceilings • Design covered under US Patent D552,969.

DIMENSIONS

5 5/8" CEILING CUTOUT

ELECTRICAL DATA**Dedicated 120V Only Driver Option**

120V	
Input Power	15.7W (+/-5%)
Input Current	0.13A
Frequency	50/60Hz
EMI/RFI	FCC Title 47 CFR, Part 15 Class B (residential)
Minimum starting temp	-25°C

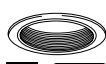

ELECTRICAL DATA**Universal Voltage**

	120V	277V
Input Power	16.7W (+/-5%)	16.5W (+/-5%)
Input Current	0.14A	0.06A
Frequency	50/60Hz	50/60Hz
EMI/RFI	FCC Title 47 CFR, Part 15 Class A (commercial)	FCC Title 47 CFR, Part 15 Class A (commercial)
Minimum starting temp	-40°C	-40°C

5" IC 900 LUMEN LED DOWNLIGHT NEW CONSTRUCTION

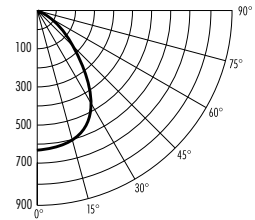
IC920LEDG4 RECESSED HOUSING OPEN TRIMS

ORDERING INFORMATION: Housing, trim and accessories each ordered separately.

Example: IC920LEDG4-3K-1			Example: 205W-WH		
Housing	Color Temperature	Input Voltage	Trim/Description		
IC920LEDG4	27K 2700K 3K 3000K 35K 3500K 41K 4100K	I Dedicated 120V Only (Forward Phase + ELV dimmable) U Universal Voltage, 120-277V (0-10V dimmable)		205W-WH³ White Baffle 205B-WH^{1,2} Black Baffle 205B-SC^{1,2} Black Baffle 205B-ABZ^{1,2} Black Baffle	¹ Not ENERGY STAR® Qualified ² Not T24 certified ³ Universal Voltage: Not T24 certified ⁴ Universal Voltage: T24 @ 3K, 35K, 41K only ⁵ Universal Voltage: T24 @ 35K, 41K only ⁶ 120V: T24 @ 41K only
ACCESSORIES				204C-WH⁴ Cone in Clear Alzak® 204G-WH⁵ Cone in Gold Alzak® 204B-WH^{1,3,4} Cone in Black Alzak® 204PT-SC⁵ Cone in Pewter Alzak® 204W-WH³ Cone in Gloss White 204HZ-WH³ Cone in Haze 204WHZ-WH³ Cone in Wheat Haze 204WHZ-ABZ³ Cone in Wheat Haze	
Catalog No. Description			Trim Size: 6 1/4" O.D. Trim Finish: ABZ - Classic Aged Bronze, SC - Satin Chrome, WH - White. Alzak is a registered trademark of Alcoa Corp. Note: In Canada when insulation is present, Type IC fixtures must be used.		
LEDOPTICG3-M	Medium Flood Optic (50°)				
LEDOPTICG3-N	Narrow Flood Optic (37°)				
LEDOPTICG3-S	Spot Optic (10°)				
To order, specify catalog number.					

PHOTOMETRIC REPORT

Test Report #: PT02141404R
Catalog No: IC920LEDG4-35K
with 205W-WH Trim
and standard wide flood optic
Luminaire Spacing Criterion: 1.10
Luminaire LPW: 60



CANDLEPOWER DISTRIBUTION (Candelas)

Degrees Vertical	0°
0	641
5	637
15	606
25	520
35	347
45	150
55	84
65	48
75	29
85	6
90	0

Multiplier: 27K - 0.90
3K - 0.97
41K - 1.04

AVERAGE INITIAL FOOTCANDLES

Multiple Units (Square Array, 60'x60' room)
Ceiling 80% Wall 50% Floor 20%

Spacing	RCR1	RCR3	RCR5
4.0'	65	53	45
5.0'	42	34	29
6.0'	29	24	20
7.0'	23	19	16
8.0'	18	15	13
9.0'	14	12	10
10.0'	10	8	7

ZONAL LUMEN SUMMARY

Zone	Lumens	%Lamp	%Fixture
0-30°	468	N/A	48.6
0-40°	681	N/A	70.7
0-60°	878	N/A	91.1
0-90°	963	N/A	100.0

INITIAL FOOTCANDLES (One Unit, 16W, 72° Beam)

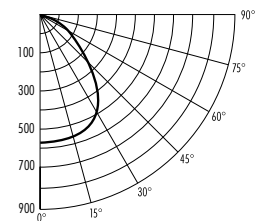
Distance to Illuminated Plane (Feet)	Footcandles Beam Center	Beam Diameter
4	40.1	5.8'
6	17.8	8.7'
8	10.0	11.6'
10	6.4	14.5'

LUMINANCE (Average cd/m²)

Degrees	Average Luminance
45	20179
55	13879
65	10823
75	10498
85	6580

PHOTOMETRIC REPORT

Test Report #: 25981R
Catalog No: IC920LEDG4-35K
with 204C-WH Trim
and standard wide flood optic
Luminaire Spacing Criterion: 1.26
Luminaire LPW: 68



CANDLEPOWER DISTRIBUTION (Candelas)

Degrees Vertical	0°
0	589
5	585
15	564
25	532
35	436
45	236
55	122
65	58
75	10
85	0
90	0

Multiplier: 27K - 0.90
3K - 0.97
41K - 1.04

AVERAGE INITIAL FOOTCANDLES

Multiple Units (Square Array, 60'x60' room)
Ceiling 80% Wall 50% Floor 20%

Spacing	RCR1	RCR3	RCR5
4.0'	74	60	50
5.0'	47	39	32
6.0'	33	27	22
7.0'	27	22	18
8.0'	21	17	14
9.0'	16	13	11
10.0'	12	10	8

ZONAL LUMEN SUMMARY

Zone	Lumens	%Lamp	%Fixture
0-30°	460	N/A	42.0
0-40°	727	N/A	66.4
0-60°	1022	N/A	93.3
0-90°	1095	N/A	100.0

INITIAL FOOTCANDLES (One Unit, 16W, 83.8° Beam)

Distance to Illuminated Plane (Feet)	Footcandles Beam Center	Beam Diameter
4	36.8	7.2'
6	16.4	10.8'
8	9.2	14.4'
10	5.9	17.9'

LUMINANCE (Average cd/m²)

Degrees	Average Luminance
45	32540
55	20652
65	13415
75	3863
85	0

Fixtures tested to IES recommended standard for solid state lighting per LM-79-08. Photometric performance on a single unit represents a baseline of performance for the fixture. Results may vary in the field.

