

**JUNO**®

# 6" IC NEW CONSTRUCTION HOUSING

## IC23-LEDT24



COMPATIBLE WITH

J6RL & J6RLE 600, 900 LUMEN SERIES,  
J6RLWD & J6RLEWD SERIES,  
6RLD SERIES

Project: \_\_\_\_\_

Fixture Type: \_\_\_\_\_

Location: \_\_\_\_\_

Contact/Phone: \_\_\_\_\_

### PRODUCT DESCRIPTION

IC Air-Loc® New Construction Housing for use with Juno retrofit LED trim modules • Energy efficient, sealed housing • Can be completely covered with insulation • Fully sealed housing stops exfiltration of air, reducing heating and air cooling costs without the use of additional gaskets.

### PRODUCT SPECIFICATIONS

**Electrical Connections** Features non-screw base 120V plug-in connector • Compatible with Juno retrofit LED trim modules • Meets high efficacy requirements of California T24

**Labels** U.L. listed for U.S. and Canada for through-branch wiring and damp locations

**Testing** All reports are based on published industry procedures; field performance may differ from laboratory performance.

Product specifications subject to change without notice.

### INSTALLATION

**Real Nail 3 Bar Hangers** Telescoping Real Nail® 3 system covered under Patents US5,505,419 and D552,969 permits quick placement of housing anywhere within 24" O.C. joists or suspended ceilings • Integral T-bar notch and clip secures housing in suspended ceiling grid – no accessory clips required • 24" expansion stop allows quick placement of fixture in standard grid spacing • Bars scored in two locations for fast, clean breaking, allowing housing installation in tight applications • Bars captive to mounting frame • Edge-mounted for extra strength • Captive bugle-headed ring shank nail for quick one-step installation and easy removal with claw hammer for fixture relocation • Quick-Loc slot (location identified on the mounting frame) and oversized locking set screw lock fixture in position • Bar hanger foot contoured to align to bottom of construction joist • Alternate mounting holes included.

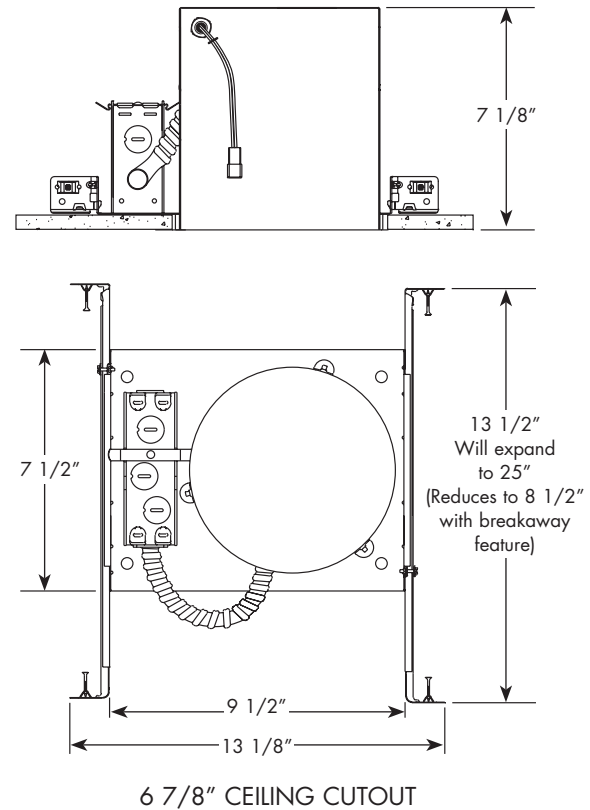
**Junction Box** Pre-wired junction box provided with (5) 1/2" and (1) 3/4" knockouts, (4) Non-metallic sheathed cable connectors and ground wire, U.L. and cUL listed for through-branch wiring, maximum 8 No. 12 AWG 90° C branch circuit conductors (4 in, 4 out) • Junction box provided with removable access plates • Knockouts equipped with pryout slots • Push-in electrical connectors supplied as standard for fast, secure installation.

**Mounting Frame** 22-gauge die-formed galvanized steel mounting frame • Rough-in section (junction box, mounting frame, housing and bar hangers) fully assembled for ease of installation • Sight lines embossed on mounting frame to allow for easy viewing when aligning fixtures.

**Housing** IC aluminum housing, sealed for Air-Loc Compliance • Housing is vertically adjustable to accommodate up to a 1" ceiling thickness.



### DIMENSIONS



### PRODUCT CODES

Catalog Number	Input Voltage
IC23-LEDT24	120V

# 6" IC NEW CONSTRUCTION HOUSING

## IC23-LEDT24

COMPATIBLE WITH  
J6RL & J6RLE 600, 900 LUMEN SERIES,  
J6RLWD & J6RLEWD SERIES,  
6RLD SERIES

### COMPATIBLE LED MODULES (To order, specify catalog number)

Catalog Number	Description	Catalog Number	Description
<b>6RLD-927-6-WWH</b>	Juno Basics LED Retrofit Trim, 600 lumen, 2700K, White Baffle	<b>J6RLG3-35K-9-WWH</b>	LED Retrofit Downlight Module, 900 lumen, 3500K, White Baffle
<b>6RLD-930-6-WWH</b>	Juno Basics LED Retrofit Trim, 600 lumen, 3000K, White Baffle	<b>J6RLG3-35K-9-BWH</b>	LED Retrofit Downlight Module, 900 lumen, 3500K, Black Baffle
<b>J6RLG3-27K-6-WWH</b>	LED Retrofit Downlight Module, 600 lumen, 2700K, White Baffle	<b>J6RLG3-35K-9-CLW</b>	LED Retrofit Downlight Module, 900 lumen, 3500K, Clear Cone
<b>J6RLG3-27K-6-BWH</b>	LED Retrofit Downlight Module, 600 lumen, 2700K, Black Baffle	<b>J6RLG3-35K-9-WHW</b>	LED Retrofit Downlight Module, 900 lumen, 3500K, White Cone
<b>J6RLG3-27K-6-CLW</b>	LED Retrofit Downlight Module, 600 lumen, 2700K, Clear Cone	<b>J6RLG3-35K-9-HZW</b>	LED Retrofit Downlight Module, 900 lumen, 3500K, Haze Cone
<b>J6RLG3-27K-6-WHW</b>	LED Retrofit Downlight Module, 600 lumen, 2700K, White Cone	<b>J6RLG3-35K-9-WZW</b>	LED Retrofit Downlight Module, 900 lumen, 3500K, Wheat Haze Cone
<b>J6RLG3-27K-6-HZW</b>	LED Retrofit Downlight Module, 600 lumen, 2700K, Haze Cone	<b>J6RLG3-41K-9-WWH</b>	LED Retrofit Downlight Module, 900 lumen, 4100K, White Baffle
<b>J6RLG3-27K-6-WZW</b>	LED Retrofit Downlight Module, 600 lumen, 2700K, Wheat Haze Cone	<b>J6RLG3-41K-9-BWH</b>	LED Retrofit Downlight Module, 900 lumen, 4100K, Black Baffle
<b>J6RLG3-3K-6-WWH</b>	LED Retrofit Downlight Module, 600 lumen, 3000K, White Baffle	<b>J6RLG3-41K-9-CLW</b>	LED Retrofit Downlight Module, 900 lumen, 4100K, Clear Cone
<b>J6RLG3-3K-6-BWH</b>	LED Retrofit Downlight Module, 600 lumen, 3000K, Black Baffle	<b>J6RLG3-41K-9-WHW</b>	LED Retrofit Downlight Module, 900 lumen, 4100K, White Cone
<b>J6RLG3-3K-6-CLW</b>	LED Retrofit Downlight Module, 600 lumen, 3000K, Clear Cone	<b>J6RLG3-41K-9-HZW</b>	LED Retrofit Downlight Module, 900 lumen, 4100K, Haze Cone
<b>J6RLG3-3K-6-WHW</b>	LED Retrofit Downlight Module, 600 lumen, 3000K, White Cone	<b>J6RLG3-41K-9-WZW</b>	LED Retrofit Downlight Module, 900 lumen, 4100K, Wheat Haze Cone
<b>J6RLG3-3K-6-HZW</b>	LED Retrofit Downlight Module, 600 lumen, 3000K, Haze Cone	<b>J6RLEG3-27K-6-WH</b>	LED Retrofit Eyeball Module, 600 lumen, 2700K, White Trim
<b>J6RLG3-3K-6-WZW</b>	LED Retrofit Downlight Module, 600 lumen, 3000K, Wheat Haze Cone	<b>J6RLEG3-3K-6-WH</b>	LED Retrofit Eyeball Module, 600 lumen, 3000K, White Trim
<b>J6RLG3-35K-6-WWH</b>	LED Retrofit Downlight Module, 600 lumen, 3500K, White Baffle	<b>J6RLEG3-35K-6-WH</b>	LED Retrofit Eyeball Module, 600 lumen, 3500K, White Trim
<b>J6RLG3-35K-6-BWH</b>	LED Retrofit Downlight Module, 600 lumen, 3500K, Black Baffle	<b>J6RLEG3-41K-6-WH</b>	LED Retrofit Eyeball Module, 600 lumen, 4100K, White Trim
<b>J6RLG3-35K-6-CLW</b>	LED Retrofit Downlight Module, 600 lumen, 3500K, Clear Cone	<b>J6RLEG3-27K-9-WH</b>	LED Retrofit Eyeball Module, 900 lumen, 2700K, White Trim
<b>J6RLG3-35K-6-WHW</b>	LED Retrofit Downlight Module, 600 lumen, 3500K, White Cone	<b>J6RLEG3-3K-9-WH</b>	LED Retrofit Eyeball Module, 900 lumen, 3000K, White Trim
<b>J6RLG3-35K-6-HZW</b>	LED Retrofit Downlight Module, 600 lumen, 3500K, Haze Cone	<b>J6RLEG3-35K-9-WH</b>	LED Retrofit Eyeball Module, 900 lumen, 3500K, White Trim
<b>J6RLG3-35K-6-WZW</b>	LED Retrofit Downlight Module, 600 lumen, 3500K, Wheat Haze Cone	<b>J6RLEG3-41K-9-WH</b>	LED Retrofit Eyeball Module, 900 lumen, 4100K, White Trim
<b>J6RLG3-41K-6-WWH</b>	LED Retrofit Downlight Module, 600 lumen, 4100K, White Baffle	<b>J6RLWDG3-3K-6-WWH,</b> <b>J6RLWDG4-3K-6-WWH</b>	LED Retrofit WarmDim™ Downlight Module, 600 lumen, 3000K, White Baffle
<b>J6RLG3-41K-6-BWH</b>	LED Retrofit Downlight Module, 600 lumen, 4100K, Black Baffle	<b>J6RLWDG3-3K-6-BWH,</b> <b>J6RLWDG4-3K-6-BWH</b>	LED Retrofit WarmDim® Downlight Module, 600 lumen, 3000K, Black Baffle
<b>J6RLG3-41K-6-CLW</b>	LED Retrofit Downlight Module, 600 lumen, 4100K, Clear Cone	<b>J6RLWDG3-3K-6-CLW,</b> <b>J6RLWDG4-3K-6-CLW</b>	LED Retrofit WarmDim® Downlight Module, 600 lumen, 3000K, Clear Cone
<b>J6RLG3-41K-6-WHW</b>	LED Retrofit Downlight Module, 600 lumen, 4100K, White Cone	<b>J6RLWDG3-3K-6-WWH,</b> <b>J6RLWDG4-3K-6-WWH</b>	LED Retrofit WarmDim® Downlight Module, 600 lumen, 3000K, White Cone
<b>J6RLG3-41K-6-HZW</b>	LED Retrofit Downlight Module, 600 lumen, 4100K, Haze Cone	<b>J6RLWDG3-3K-6-HZW,</b> <b>J6RLWDG4-3K-6-HZW</b>	LED Retrofit WarmDim® Downlight Module, 600 lumen, 3000K, Haze Cone
<b>J6RLG3-41K-6-WZW</b>	LED Retrofit Downlight Module, 600 lumen, 4100K, Wheat Haze Cone	<b>J6RLWDG3-3K-6-WZW,</b> <b>J6RLWDG4-3K-6-WZW</b>	LED Retrofit WarmDim® Downlight Module, 600 lumen, 3000K, Wheat Haze Cone
<b>J6RLG3-27K-9-WWH</b>	LED Retrofit Downlight Module, 900 lumen, 2700K, White Baffle	<b>J6RLEWDG3-3K-6-WH,</b> <b>J6RLEWDG4-3K-6-WH</b>	LED Retrofit WarmDim® Eyeball Module, 600 lumen, 3000K, White Trim
<b>J6RLG3-27K-9-BWH</b>	LED Retrofit Downlight Module, 900 lumen, 2700K, Black Baffle		
<b>J6RLG3-27K-9-CLW</b>	LED Retrofit Downlight Module, 900 lumen, 2700K, Clear Cone		
<b>J6RLG3-27K-9-WHW</b>	LED Retrofit Downlight Module, 900 lumen, 2700K, White Cone		
<b>J6RLG3-27K-9-HZW</b>	LED Retrofit Downlight Module, 900 lumen, 2700K, Haze Cone		
<b>J6RLG3-27K-9-WZW</b>	LED Retrofit Downlight Module, 900 lumen, 2700K, Wheat Haze Cone		
<b>J6RLG3-3K-9-WWH</b>	LED Retrofit Downlight Module, 900 lumen, 3000K, White Baffle		
<b>J6RLG3-3K-9-BWH</b>	LED Retrofit Downlight Module, 900 lumen, 3000K, Black Baffle		
<b>J6RLG3-3K-9-CLW</b>	LED Retrofit Downlight Module, 900 lumen, 3000K, Clear Cone		
<b>J6RLG3-3K-9-WHW</b>	LED Retrofit Downlight Module, 900 lumen, 3000K, White Cone		
<b>J6RLG3-3K-9-HZW</b>	LED Retrofit Downlight Module, 900 lumen, 3000K, Haze Cone		
<b>J6RLG3-3K-9-WZW</b>	LED Retrofit Downlight Module, 900 lumen, 3000K, Wheat Haze Cone		



1300 S. Wolf Road • Des Plaines, IL 60018 • Phone (847) 827-9880 • Fax (847) 827-2925  
220 Chrysler Drive • Brampton, Ontario • Canada L6S 6B6 • Phone (905) 792-7335 • Fax (905) 792-0064  
Visit us at [www.junolightinggroup.com](http://www.junolightinggroup.com)

Printed in U.S.A. ©2014 Juno Lighting, LLC.