



TRAC-MASTER®

Avant Garde

MINI-PAR SERIES

T420, T421, T423, T425 and T427

Project: _____

Fixture Type: _____

Location: _____

Contact/Phone: _____

PRODUCT DESCRIPTION

Designed especially for halogen PAR lamps. The Mini-PAR's compact shape and slotted yoke make it ideal for today's high styled applications.

Construction Drawn steel housing with die-formed steel yokes.

Lampholder Medium base porcelain with nickel plated copper screw shell.

Aiming 90° vertical aiming capability and 358° rotation

- Two locking screws provided.

Adapter Copper alloy contacts provide precise spring action - no arcing and will not take a set • True, positive electrical ground • On/off switch included

- Patented embossed polarity arrows on bottom of adapter
- Spring-loaded positive latch with embossed polarity arrows secures trac light to trac
- "Pull-up" contact to up position for two-circuit application.

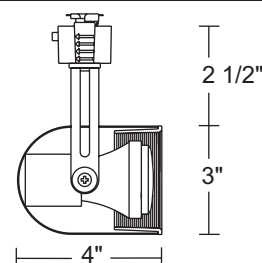
Labels UL listed, CSA certified.

Product specifications subject to change without notice.



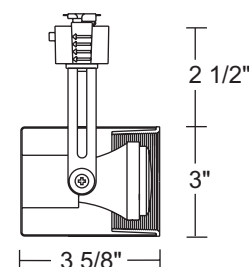
Line Voltage PAR16

Catalog Number	Finish	Baffle	Lamp
T420B-WH	White	Black	45-60W PAR16
T420B-BL	Black w/ both Black and Red Adjusting Buttons	Black	45-60W PAR16
T420W-WH	White	White	45-60W PAR16



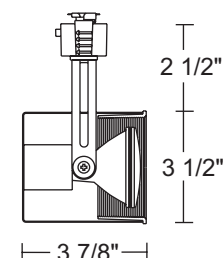
Line Voltage PAR16

Catalog Number	Finish	Baffle	Lamp
T421B-WH	White	Black	45-60W PAR16
T421B-BL	Black w/ both Black and Red Adjusting Buttons	Black	45-60W PAR16
T421B-SC	Satin Chrome w/ Black Adjusting Buttons	Black	45-60W PAR16
T421W-WH	White	White	45-60W PAR16



Line Voltage PAR20

Catalog Number	Finish	Baffle	Lamp
T423B-WH	White	Black	35-50W PAR20
T423B-BL	Black w/ both Black and Red Adjusting Buttons	Black	35-50W PAR20
T423B-SC	Satin Chrome w/ Black Adjusting Buttons	Black	35-50W PAR20
T423W-WH	White	White	35-50W PAR20



ACCESSORIES

Cat. No.	Description	Cat. No.	Description	Cat. No.	Description
T71BL	Black Barn Doors†	T560BL	Black Accessory Holder	T561-6	Color Filters
T569BL	Cube Cell Louver	T5677	Prismatic Spread Lens	T5678	Linear Spread Lens
T5621	Uniformity Lens	T5622	UV Filter	T5618	Color Correction Filter

See specification sheet [D1.2.2](#) for details.

† Barn Doors accept Color Filters, Lenses and Louvers.

TRAC-MASTER®

Avant Garde

MINI-PAR SERIES**T420, T421, T423, T425 and T427****PRODUCT DESCRIPTION**

Designed especially for halogen PAR lamps. The Mini-PAR's compact shape and slotted yoke make it ideal for today's high styled applications.

Construction Drawn steel housing with die-formed steel yokes.

Lampholder Medium base porcelain with nickel plated copper screw shell.

Aiming 90° vertical aiming capability and 358° rotation

- Two locking screws provided.

Adapter Copper alloy contacts provide precise spring action - no arcing and will not take a set • True, positive electrical ground • On/off switch included

- Patented embossed polarity arrows on bottom of adapter
- Spring-loaded positive latch with embossed polarity arrows secures trac light to trac
- "Pull-up" contact to up position for two-circuit application.

Labels UL listed, CSA certified.

Product specifications subject to change without notice.

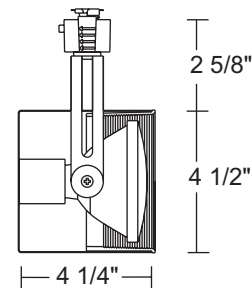
Line Voltage PAR30

Catalog Number	Finish	Baffle	Lamp
T425B-WH	White	Black	50-75W PAR30
T425B-BL	Black w/ both Black and Red Adjusting Buttons	Black	50-75W PAR30
T425B-SC	Satin Chrome w/ Black Adjusting Buttons	Black	50-75W PAR30
T425W-WH	White	White	50-75W PAR30

ACCESSORIES

Cat. No.	Description	Cat. No.	Description	Cat. No.	Description
T72BL	Black Barn Doors†	T570BL	Black Accessory Holder	T571-6	Color Filters
T579BL	Cube Cell Louver	T5777	Prismatic Spread Lens	T5778	Linear Spread Lens
T5721	Uniformity Lens	T5722	UV Filter	T5718	Color Correction Filter

See specification sheet [D1.2.2](#) for details.

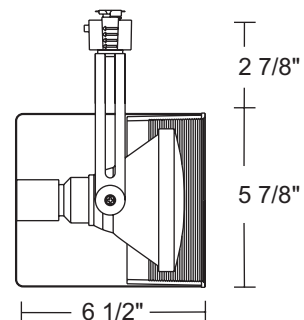
**Line Voltage PAR38**

Catalog Number	Finish	Baffle	Lamp
T427B-BL	Black w/ both Black and Red Adjusting Buttons	Black	45-250W PAR38
T427W-WH	White	White	45-250W PAR38

ACCESSORIES

Cat. No.	Description	Cat. No.	Description	Cat. No.	Description
T73BL	Black Barn Doors†	T73WH	White Barn Doors†	T580BL	Black Accessory Holder
T581-6	Color Filters	T589BL	Cube Cell Louver		

See specification sheet [D1.2.2](#) for details.



† Barn Doors accept Color Filters and Louvers.