



Project: _____

Fixture Type: _____

Location: _____

Contact/Phone: _____

3" ROUND TC FIXTURE

PAR16 INCANDESCENT LAMP

TC18-184B,W

PRODUCT DESCRIPTION

TC Housing designed for use in non-insulated areas • If installed where insulation is present, the insulation must be pulled back 3" from all sides of the TC housing.

PRODUCT SPECIFICATIONS

Lamp Designed for one 60W PAR16 lamp.

Socket Medium base porcelain with nickel-plated copper screw shell.

Baffle White or black, grooved baffle reduces and controls glare.

Trims Available in white baked enamel on steel or polished brass. Note: Polished brass trims available with black baffle only.

Labels UL listed for through-branch wiring, damp locations and IP
 • Product thermally protected against improper use of insulation
 • Union made • UL Listed/CSA certified.

Testing All reports are based on published industry procedures; field performance may differ from laboratory performance.

Product specifications subject to change without notice.

INSTALLATION

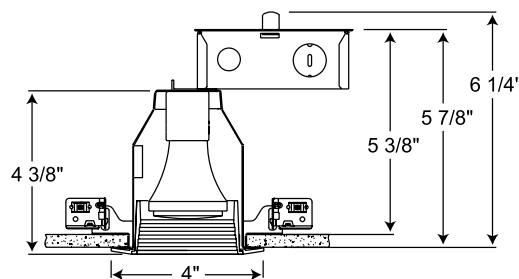
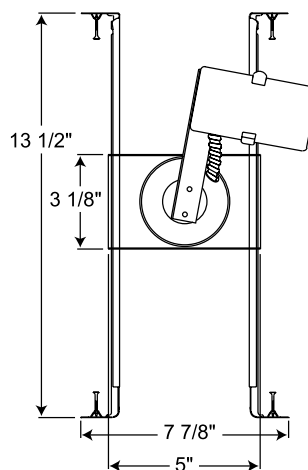
Real Nail 3 Bar Hangers Telescoping, Patented (US Patent D552,969) Real Nail® 3 system permits quick placement of housing anywhere within 24" O.C. joists or suspended ceilings • Integral T-bar notch and clip secures housing in suspended ceiling grid – no accessory clips required • 24" expansion stop allows quick placement of fixture in standard grid spacing • Bars scored in two locations for fast, clean breaking, allowing housing installation in tight applications • Bars captive to mounting frame • Edge-mounted for extra strength • Captive bugle-headed ring shank nail for quick one-step installation and easy removal with claw hammer for fixture relocation • Quick-Loc slot and oversized locking set screw lock fixture in position • Bar hanger foot contoured to align to bottom of construction joist • Alternate mounting holes included.

Note: Unit shipped as a complete fixture with either black or white baffle (housing & trim shipped in same carton).
 (See product codes below)

Junction Box Pre-wired junction box, UL listed/CSA certified for through-branch wiring, maximum 4 No. 12 AWG 90° C branch circuit conductors (2 in, 2 out) • Junction box provided with removable access plate, (5)½" knockouts, (3) Romex connectors and ground wire • Knockouts equipped with pryout slots.

Housing TC housing, 22-gauge black painted steel • Installs into 1" max. ceiling thickness.

DIMENSIONS



3 1/4" CEILING CUTOUT

PRODUCT CODES

Catalog Number	Input Voltage	Lamp Rating (max.)
TC18-184B-WH	120V	60W PAR16
TC18-184W-WH	120V	60W PAR16

3" ROUND TC FIXTURE

PAR16 INCANDESCENT LAMP

TC18-184B,W

TRIMS/LAMPS

Cat. No.	Description	Lamp Rating
TC18-184B-WH	Black Baffle	60W PAR16
TC18-184W-WH	White Baffle	

Trim Size: 4" O.D.
Trim Finish: WH - White