

**JUNO**

# 6" MR16 LOW VOLTAGE HOUSING

50/75W MR16

**TC45**

Project: \_\_\_\_\_

Fixture Type: \_\_\_\_\_

Location: \_\_\_\_\_

Contact/Phone: \_\_\_\_\_

**PRODUCT DESCRIPTION**

TC Housing designed for use in non-insulated areas • If installed where insulation is present, the insulation must be pulled back 3" from all sides of the TC housing.

**PRODUCT SPECIFICATIONS**

**Lamp** Lamp ratings based on trim selected—see reverse.

**Socket** Ceramic Bi-Pin socket with aluminum heat shield.

**Trims** Trim selection shown on reverse.

**Transformer** 120V to 12V 75VA thermally protected magnetic transformer mounted to junction box.

**Dimming** May be dimmed using dimmers specifically designed for Low Voltage magnetic transformers (consult factory or dimmer manufacturer for additional information).

**Labels** UL listed for through-branch wiring, damp locations and IP  
• Product thermally protected against improper use of insulation  
• Union made • UL Listed/CSA certified.

**Testing** All reports are based on published industry procedures; field performance may differ from laboratory performance.

Product specifications subject to change without notice.

**INSTALLATION**

**Real Nail 3 Bar Hangers** Telescoping, Patented (US Patent D552,969) Real Nail 3 system permits quick placement of housing anywhere within 24" O.C. joists or suspended ceilings • Integral T-bar notch and clip secures housing in suspended ceiling grid – no accessory clips required • 24" expansion stop allows quick placement of fixture in standard grid spacing • Bars scored in two locations for fast, clean breaking, allowing housing installation in tight applications • Bars captive to mounting frame • Edge-mounted for extra strength • Captive bugle-headed ring shank nail for quick one-step installation and easy removal with claw hammer for fixture relocation • Quick-Loc slot (location identified on the mounting frame) and oversized locking set screw lock fixture in position • Bar hanger foot contoured to align to bottom of construction joist • Alternate mounting holes included.

**Junction Box** Pre-wired junction box provided with (5) ½" and (1) ¾" knockouts, (4) Non-metallic sheathed cable connectors and ground wire, UL listed/CSA certified for through-branch wiring, maximum 8 No. 12 AWG 90° C branch circuit conductors (4 in, 4 out) • Junction box provided with removable access plates • Knockouts equipped with pryout slots.

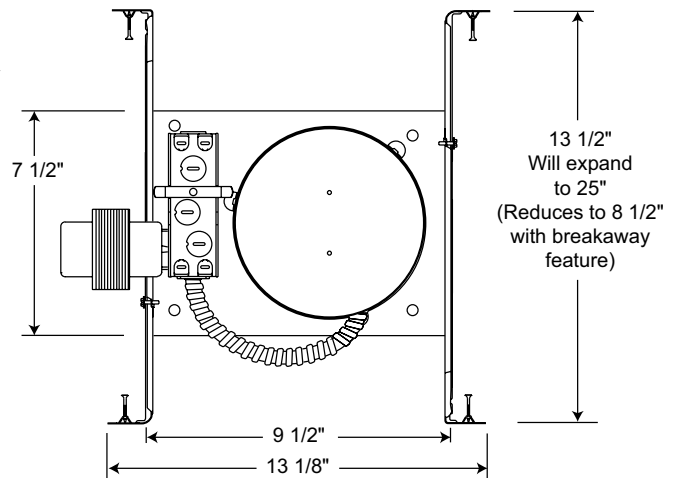
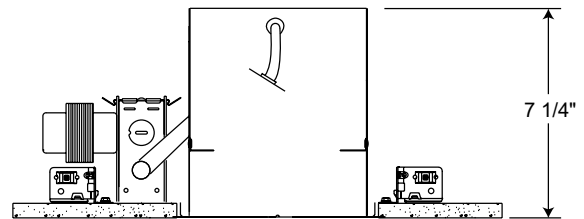
**Mounting Frame** 22-gauge die-formed galvanized steel mounting frame • Rough-in section (junction box, mounting frame, housing transformer and bar hangers) fully assembled for ease of installation • Sight lines embossed on mounting frame to allow for easy viewing when aligning fixtures.

**Housing** TC housing, 22-gauge white painted steel • Housing is vertically adjustable to accommodate up to a 2" ceiling thickness.

**PRODUCT CODES**

Catalog Number	Input Voltage	Lamp Rating (max.)
TC45	120V	12V 75W MR16

REV-5/15




**DIMENSIONS**

6 7/8" CEILING CUTOUT

# 6" MR16 LOW VOLTAGE HOUSING

50/75W MR16

**TC45****TRIMS/LAMPS**

	<b>Cat. No.</b>	<b>Description</b>	<b>Max. Lamp Rating</b>
	<b>454B-WH</b>	Black Phenolic Baffle Up to 35° Vertical Aiming 358° Rotation	75W MR16
	<b>457C-WH</b>	Specular Cone in Clear Alzak® Up to 35° Vertical Aiming 358° Rotation	75W MR16
	<b>458W-WH</b>	White Cylinder, Bezel & Baffle Up to 50° Vertical Aiming 358° Rotation	50W MR16

Trim Size: 7<sup>5</sup>/<sub>8</sub>" O.D.

Trim Finish: WH - White.

Alzak is a registered trademark of Alcoa Corp.

Note: In Canada when insulation is present, Type IC fixtures must be used.

Each trim functions as a downlight or adjustable.