

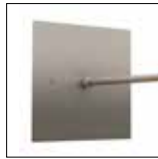
3/8" Feed Through Power Stem



4.6" Round Canopy



2.8" Square Canopy



4.6" Square Canopy

**Description:**

Kurve Display Sign features a lambertian white diffuser that provides uniform light without hotspots. At 7.5 watts per foot, the 24 volt DC channel contains 85+ or 95+ CRI LEDs and mounts 14" from wall. It may be ordered with a 4.6" round or square canopy that fits on a standard 4" square electrical box with round plaster ring; a 2.8" square canopy, or a special feed-thru stem for floating signs. Kurve is powered by a Class 2 remote power supply up to 40 feet away. Available from 12 inches to 120 inches/10 feet. May be ordered in 3, 5, 8 or 10 inch increments. Fixtures include a 5 year warranty.

**Finish:**

Satin Nickel, Chrome, Antique Bronze, Satin Aluminum, White or Satin Black Custom finishes available

**Applications:**

Wall wash and retail stores

**Lamp:**

Version	Watts per Foot	Lumens per Watt per Foot	85+CRI	95+CRI	50,000 Hour Lamp Life
7WDC	7.5	36	•	•	•

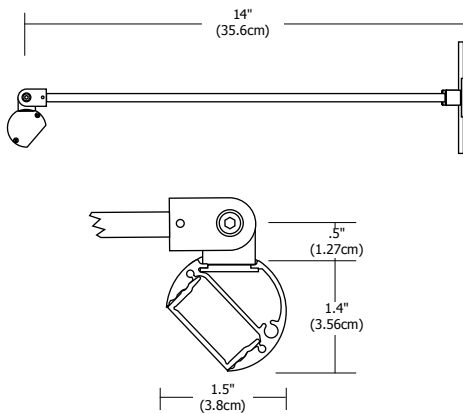
Lumen values are based on the 3000K LED test.

**Power Supply (24VDC):**

- PSB-25W-010-24VDC** 120VAC input, 25 watt output
- PSB-96W-010-24VDC** 120-277VAC input, 96 watt output
- PSB-100W-ELV-24VDC** 120VAC input, 96 watt output
- PSB-2X96W-010-24VDC** 120-277VAC input, 2x96 watt output
- PSB-2X100W-ELV-24VDC** 120VAC input, 2x96 watt output

**Dimming:**

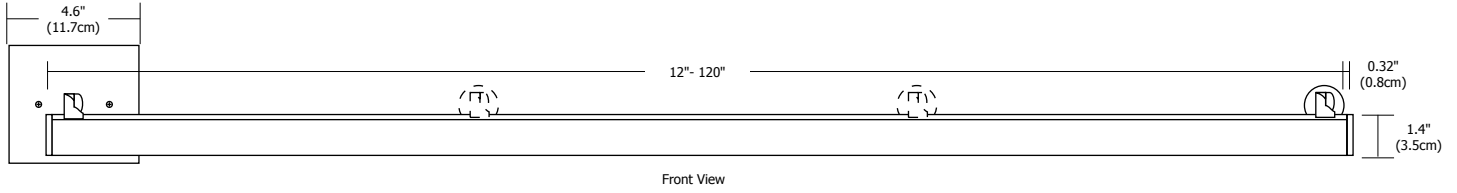
010 power supplies use 0-10V dimmer: Philips Sunrise SR1200ZTUNV. ELV power supplies use ELV dimmer: Legrand, Adorne ADTP703TU; Lutron: Diva DVELV-300P, Skylark SELV-300P, Maestro MAELV-600 and Radio Ra 2



System	Wattage/Voltage	Canopy	Length In Inches	Color Temperature	Finish
<b>KD</b>	<b>7WDC</b>	<b>4RD</b>	<b>120IN</b>	<b>27K</b>	<b>SN</b>
<b>KD</b> Kurve Display	<b>7WDC</b> 7.5 Watt 24 Volt DC	<b>2SQ</b> 2.8" Square <b>4RD</b> 4.6" Round <b>4SQ</b> 4.6" Square <b>FTP</b> Feed-Through Power Stem	<b>12-120</b> Order in 12 inch increments up to 120 inches May be ordered in 3, 5, 8 or 10 inch increments	<b>24K</b> 2400K Amber White <b>27K</b> 2700K Very Warm White <b>30K</b> 3000K Warm White <b>35K</b> 3500K Neutral White <b>40K</b> 4000K Cool White <b>57K</b> 5700K Daylight White	<b>SN</b> Satin Nickel <b>CH</b> Chrome <b>BZ</b> Antique Bronze <b>SA</b> Satin Aluminum <b>BK</b> Satin Black <b>WH</b> White

PROJECT: \_\_\_\_\_ FIXTURE TYPE: \_\_\_\_\_ DATE: \_\_\_\_\_

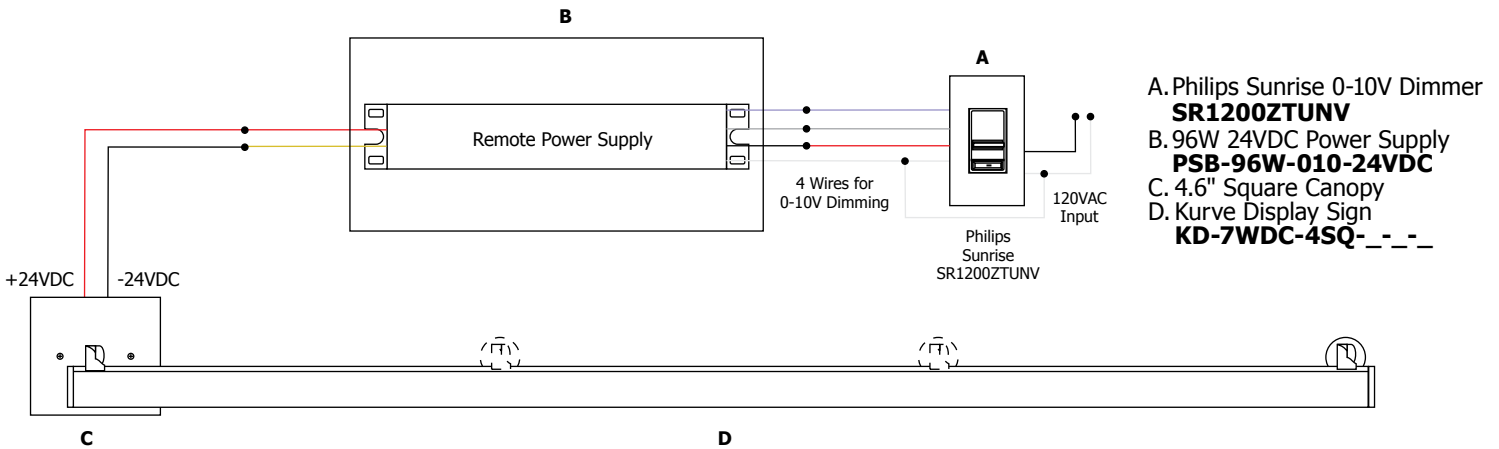
# KURVE DISPLAY SIGN 24VDC SYSTEM, 85 OR 95+CRI



**Application:** 0-10V dimming for Kurve Display Sign

**Power Supply:** Class 2, 24VDC output: 120VAC input, PSB-25W-010-24VDC; 120-277VAC input, PSB-96W-010-24VDC; PSB-2X96W-010-24VDC

**Dimming:** Dimmable with 0-10V dimmer using power supplies above: Philips Sunrise SR1200ZTUNV, 0-10V dimmer recommended.



Fixture Mounted 14 inches from wall

	[Sign Icon]					
1'	91	91	91	91	91	91
2'	52	52	52	52	52	52
3'	28	28	28	28	28	28
4'	22	22	22	22	22	22
5'	14	14	14	14	14	14
6'	11	11	11	11	11	11
7'	9	9	9	9	9	9
8'	5	5	5	5	5	5

PROJECT: \_\_\_\_\_ FIXTURE TYPE: \_\_\_\_\_ DATE: \_\_\_\_\_