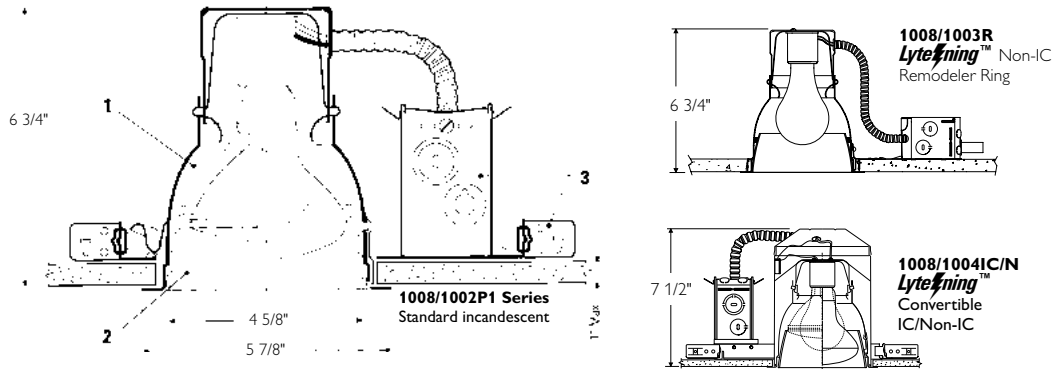


## Lytecaster 5" aperture cone reflector trim

Catalog number:

Notes:

Type:



**Complete fixture consists of reflector trim & frame-in kit. Select each separately.**

Reflector trim	Frame-in kit — See individual frame-in kit specification sheets							
	LED				Incandescent			
	Frame-in kit	Installation type	Lamping	Height	Frame-in kit	Ceiling type	Lamping	Height
<b>1008</b> †								
brushed gold								
<b>1010</b> †								
Brushed clear	<b>1001LED</b>	Non-IC	LED	6 3/4"	<b>1004SIC/N</b>	IC	65W BR30	5 1/2"
<b>1012</b> †	<b>1001LEDEM</b>	Non-IC EM	LED	6 3/4"	<b>1004SICR</b>	IC remodeler	50W PAR30	5 1/2"
Specular gold	<b>1000LEDREM</b>	Non-IC remodeler	LED	6 3/4"				
<b>1013</b> †	<b>L56LED</b>	Non-IC retrofit	LED	6 3/4"				
Specular clear								
<b>1013CD</b> †					<b>1004IC/N</b>	Non-IC	75W PAR30	7 1/2"
Clear diffuse					<b>1004ICR</b>	Non-IC remodeler	85W BR30 60W A19	7 1/2"
<b>1013Bk</b> †								
Specular black					<b>1004SIC/N</b>	Non-IC	75W PAR30	5 1/2"
<b>1013WH</b>					<b>1004SICR</b>	Non-IC remodeler	85W BR30	5 1/2"
Matte white								
	<b>1000P1</b>	Non-IC	75W A19, PAR30L 75W BR30	6 3/4"	<b>1004ICX/N</b>	IC	60W A19 75W PAR30 85W BR30	7 1/4"
	<b>1002P1</b>	Non-IC	75W A19, PAR30L 75W BR30	6 3/4"	<b>1004IC/N</b>	IC	40W A19 50W PAR30 65W BR30	7 1/2"
	<b>1003R</b>	Non-IC remodeler	75W A19, PAR30L 85W BR30	6 3/4"				

† = Add "NM" to sku for natural metal flange

### Features

- Reflector:** Hydroformed aluminum, .040" thick, (18 ga.); Anobrite (anodic-processed) semi-specular finish for permanent reflectivity; matte white or natural metal trim flange.
- Cone:** Aluminum cone painted or anodized finish.
- Frame-in kit:** (1002P1 standard frame shown). Other frames listed above and shown on the right. See frame-in kit specification sheets for more details.

### Options & accessories

**Retaining clips:** 1955 - For installing in existing ceiling

**Extra wide flange trim ring:** 1957 - 7" O.D

**Spread lens:** L56WWLENS - Proprietary spread lens for use with combination of wall washer optics and LED Frame-In Kits.

### Labels

UL (suitable for damp locations), I.B.E.W.

## Lytecaster 5" aperture cone reflector trim

Complete fixture consists of reflector trim & frame-in kit. Select each separately.

Reflector trim	Frame-in kit — See individual frame-in kit specification sheets			
	Fluorescent			
	Frame-in kit	Installation type	Lamping	Height
<b>1008</b> † Brushed gold	<b>1001F13U Series</b>	Uniframe Non-IC	(1) Triple 13W (GX24q-1)	5 7/8"
<b>1010</b> † Brushed clear	<b>1001F18U Series</b>	Uniframe Non-IC	(1) Triple 18W (GX24q-2)	5 7/8"
<b>1012</b> † Specular gold	<b>1004F13 Series</b>	IC	(1) Quad/Triple 13W (GX24q-1)	7 1/2"
<b>1013</b> † Specular clear	<b>1004F18 Series</b>	IC	(1) Triple 18W (GX24q-2)	7 1/2"
<b>1013CD</b> † Clear diffuse	<b>1004F26 Series</b>	IC	(1) Triple 26W (GX24q-3)	7 1/2"
<b>1013BK</b> † Specular black	<b>1001F13ICU/N</b>	Performance IC	(1) Triple 13W (GX24q-1)	7 1/4"
<b>1013WH</b> Matte white	<b>1001F18ICU/N</b>	Performance IC	(1) Triple 18W (GX24q-2)	7 1/4"
	<b>1910XFH1</b>	Conversion kit	(1) Quad 13W (GX23-2)	7 1/2"

† = Add "NM" to sku for natural metal flange



Philips Lightolier  
 e: lol.webmaster@philips.com  
 t: (508) 679-8131  
 w: www.lightolier.com

1008 September 13, 2012

Specifications are subject to change without notice.  
 © Koninklijke Philips Electronics N.V., 2012. All rights reserved.