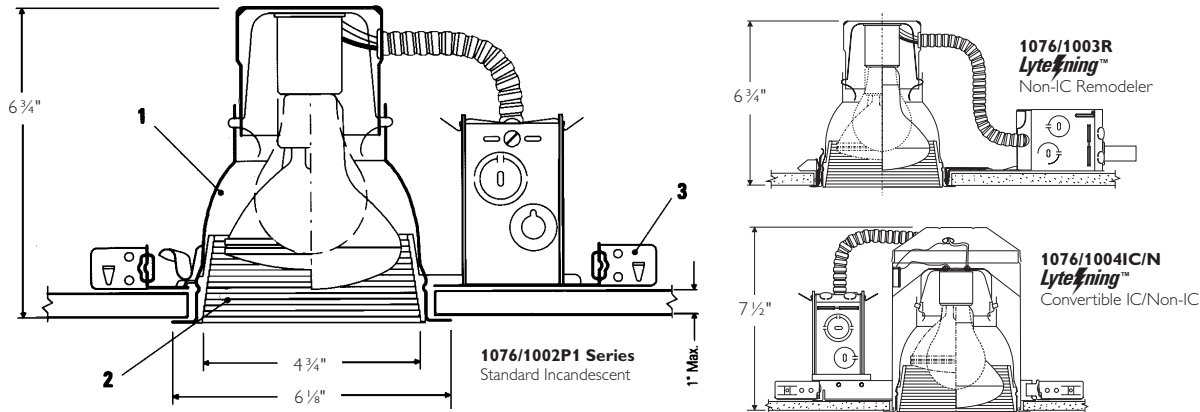


Lytecaster, 5" Aperture, Basic Baffle Reflector Trim

Catalog number:

Notes:

Type:



Complete Fixture consists of Reflector Trim & Frame-In Kit. Select each separately. See Individual Frame-In Kit specification sheets for more information.

Reflector Trim	LED Frame-In Kit				Fluorescent Frame-In Kit			
	Frame-In Kit	Installation Type	Lamping	Height	Frame-In Kit	Installation Type	Lamping	Height
1076 Matte Black	1001LED	Non-IC	LED	6 3/4"	1001F13U Series	UniFrame™ Non-IC	(1) Triple 13W (GX24q-1)	5 7/8"
	1001LEDEM	Non-IC EM	LED	6 3/4"				
	1001LEDREM	Non-IC Remodeler	LED	6 3/4"				
	L56LED	Non-IC Retrofit	LED	6 3/4"				
1076WH Gloss White	Incandescent Frame-In Kit				1001F18U Series	UniFrame™ Non-IC	(1) Triple 18W (GX24q-2)	5 7/8"
	Frame-In Kit	Installation Type	Lamping	Height	1004F13 Series	IC	(1) Quad/Triple 13W (GX24q-2)	7 1/2"
	1000P1 1002P1	Non-IC	60W A19 75W PAR30* 75W BR30	6 3/4"	1004F18** Series	IC	(1) Quad/Triple 18W (GX24q-2)	7 1/2"
	1003R	Non-IC Remodeler	60W A19 75W PAR30* 85W BR30	6 3/4"	1004F26** Series	IC	(1) Quad/Triple 26W (GX24q-2)	7 1/2"
	1000IC 1000AICM	IC IC AirSeal®	40W A19 65W BR30 75W PAR30	7 5/16" 7 5/16"	1001F13ICU/N	Performance IC	(1) Triple 13W (GX24q-1)	7 1/4"
	1004ICX/N	IC AirSeal®	40W A19 75W PAR30* 65W BR30	7 1/4"	1001F18ICU/N	Performance IC	(1) Triple 18W (GX24q-2)	7 1/4"
	1004IC/N 1004ICR	IC IC Remodeler	50W PAR30 60W BR30	7 1/2" 7 1/2"	*(Use Socket Extender with Short Neck) **Lightolier recommends the use of triple tube lamps			
	1004IC/N 1004ICR	Non-IC Non-IC Remodeler	65W BR30 75W PAR30 40W A19	7 1/2" 7 1/2"	All-In-One-Box Product comes with Reflector, Trim and Philips LED BR30 LED Lamps. Frames are sold separately.			
	1004SIC/N 1004SICR	IC IC Remodeler	50W PAR30* 60W BR30	5 1/2" 5 1/2"	1076WHBR30D 1076WHBR30ND			
	1004SIC/N 1004SICR	Non-IC Non-IC Remodeler	75W PAR30* 75W BR30	5 1/2" 5 1/2"	Gloss White Baffle c/w Philips BR30 LED Dim Lamp (to be used with Incandescent Frame-In-Kit only). Gloss White Baffle c/w Philips BR30 LED Non-Dim Lamp (to be used with Incandescent Frame-In-Kit only).			

Lytecaster, 5" Aperture, Basic Baffle Reflector Trim

Features

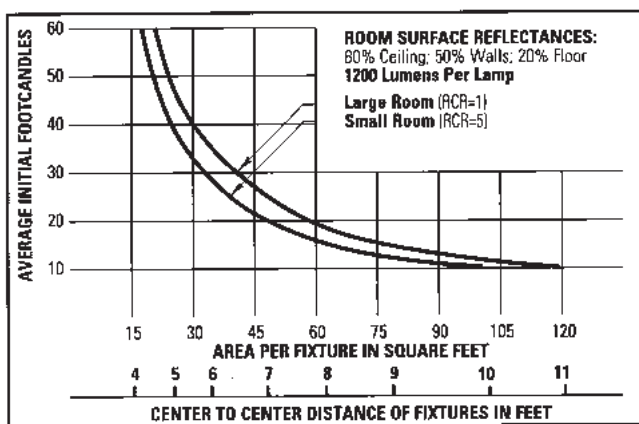
- Reflector:** Hydroformed aluminum, .040" thick (18 ga.): non-yellowing, scratch resistant Perma White finish, 88% reflectance; white trim flange.
- Step Baffle:** Molded high heat plastic with stepped conical surface for low brightness, matte black or gloss white finish.
- Frame-In Kit:** (1002P1 standard frame shown). Other frames listed above and shown on the right. See Frame-In Kit specification sheets for more details.

Options & Accessories

Medium-Base PAR30 Socket Extender:
1968 - For use w/short neck PAR30 lamps in P1 and Lytning housings.

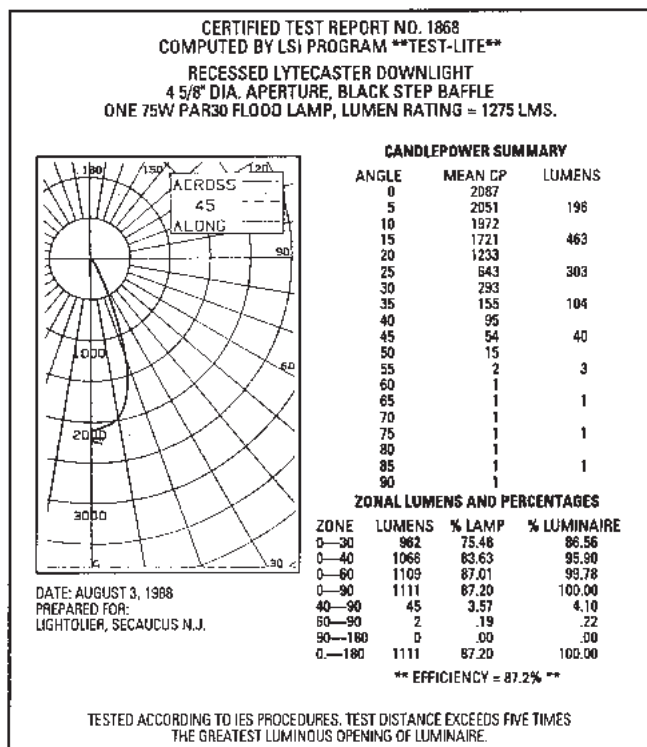
Labels

UL (Suitable for Damp Locations), I.B.E.W.



Use quick calculator chart to determine the spacing of 75 Watt PAR30 FL units (Black) for a desired level of illumination. Conversion Factors: 75W PAR30 FL, White, F.C. x 1.1.

SPACING RATIO = 0.7



Conversion Factor: 75W PAR30 FL; White, C.U. x 1.1 65W BR30 FL; Black, C.U. x .75; White, C.U. x 1.0.

To convert lighting data for a lower wattage incandescent lamp of the same type, multiply the footcandle (or candlepower) values by the ratio of the lumens of the two lamps. The coefficients of utilization remain the same.



Philips Lightolier
e: lol.webmaster@philips.com
t: (508) 679-8131
w: www.lightolier.com

1076 November 6, 2013

Specifications are subject to change without notice.
© Koninklijke Philips Electronics N.V., 2010. All rights reserved.

PHILIPS
LIGHTOLIER