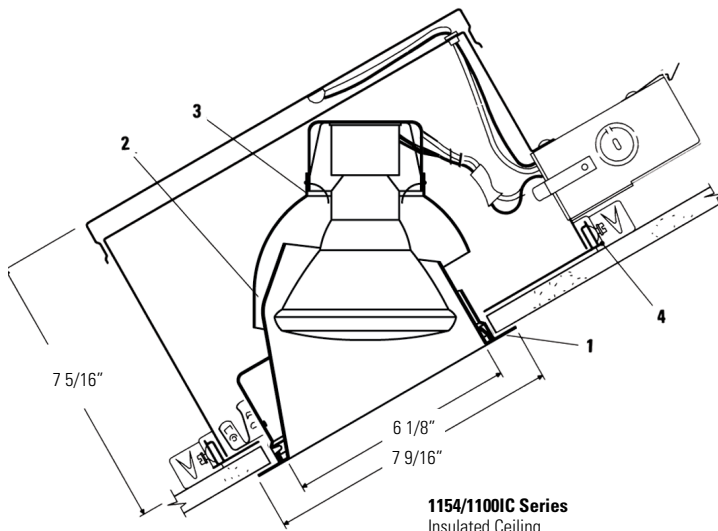


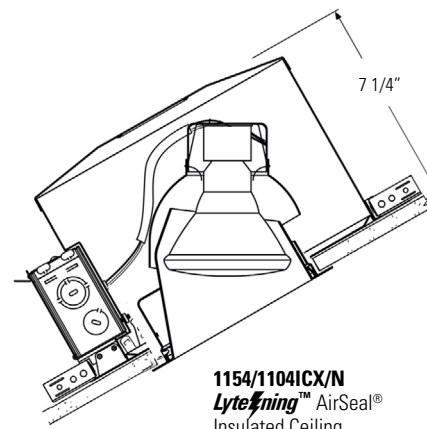
Lytecaster 6 3/4", Complete Slope Ceiling Reflector Trim 14°-45° Angle, 3/12-12/12 Pitch

Project:	Catalog No:	Mfg:
Location:	Fixture Type:	Qty:
Notes:		Lamps:



1100IC Mounting Frame must be installed with the J-Box on the "UPHILL" side.

1154/1100IC Series
Insulated Ceiling



1104ICX/N Mounting Frame must be installed with the J-Box on the "DOWNHILL" side.

1154/1104ICX/N
Lytefning™ AirSeal®
Insulated Ceiling

Reflector Trim		Frame-In Kit - See Individual Frame-In Kit Specification Sheets	
	Frame-In Kit Installation Type Height	1100IC / 1100AICM	1104ICX/N
		IC	IC
		7 - 5/16"	7 - 1/4"
1154*	Black Step Baffle	90W PAR38	90W PAR38
1154WH	White Step Baffle	90W PAR38	90W PAR38
1154CD*	Clear Diffuse Cone	120W PAR38	120W PAR38
1154CL*	Specular Clear	120W PAR38	90W PAR38
1154BK*	Specular Black	90W PAR38	90W PAR38
1154MW	Matte White Cone	90W PAR38	90W PAR38
1154GWB	Gloss White Baffle	90W PAR38	90W PAR38
1154GWC	Gloss White Cone	90W PAR38	90W PAR38

Complete Fixture consists of Frame-In Kit & Reflector Trim. Select each separately.

*Add "NM" to SKU for Natural Metal™ Flange

Features

- Housing:** Hydroformed aluminum, .040" thick; White or Natural Metal™ trim flange.
- Aperture:** Aluminum step baffle, Matte Black, Matte White, Gloss White or Natural Metal™ finish; or hydroformed aluminum cone, specular, Matte White or Gloss White finishes.
For ceiling slopes 14° - 45° angle, 3/12 - 12/12 pitch.
- Lamp Housing:** Hydroformed aluminum, .040" thick.
- Frame-In Kit:** See Frame-In Kit specification sheets for more details.

Labels

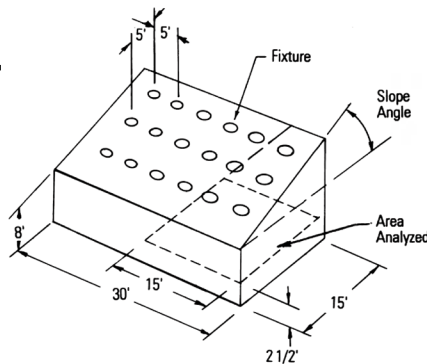
UL (Suitable for Damp Locations), I.B.E.W.

Lytecaster 6 3/4", Complete Slope Ceiling Reflector Trim 14°-45° Angle, 3/12-12/12 Pitch

Footcandles 2 1/2' Above the Floor

Fixture mounted on 5' x 5' centers (horizontally) in 15' x 30' room with sloped ceiling.

Room reflectances: 80% ceiling, 50% walls, 20% floor.



90W PAR38 WFL(25°)				
+	+	+	+	+
33.3	29.5	32.0	28.4	29.5
⊕	+	⊕	+	⊕
51.4	50.7	50.3	49.4	47.4
+	+	+	+	+
55.6	43.5	54.5	41.9	51.6
⊕	+	⊕	+	⊕
68.3	58.0	67.2	56.2	63.8
+	+	+	+	+
53.5	35.2	52.3	33.2	49.4
⊕	+	⊕	+	⊕
93.6	48.3	92.5	46.4	89.9

30° Ceiling Slope

90W PAR38 WFL(60°)				
+	+	+	+	+
23.4	22.9	21.9	21.0	18.4
⊕	+	⊕	+	⊕
31.4	31.6	30.2	29.1	25.5
+	+	+	+	+
36.3	35.2	35.1	32.4	29.6
⊕	+	⊕	+	⊕
40.7	39.8	39.5	37.0	33.8
+	+	+	+	+
42.7	39.8	41.6	37.4	35.4
⊕	+	⊕	+	⊕
44.4	39.6	43.4	37.7	37.5

90W PAR38 NFL (Narrow Flood)				
+	+	+	+	+
22.3	23.7	21.4	22.7	18.7
⊕	+	⊕	+	⊕
31.8	31.3	31.1	30.1	27.1
+	+	+	+	+
39.3	38.8	38.6	37.5	35.3
⊕	+	⊕	+	⊕
44.2	43.6	43.3	42.4	40.5
+	+	+	+	+
40.7	31.1	39.9	29.6	37.6
⊕	+	⊕	+	⊕
73.9	37.8	72.9	36.4	71.0

45° Ceiling Slope

90W PAR38 WFL(Wide Flood)				
+	+	+	+	+
20.7	19.8	19.1	18.0	15.8
⊕	+	⊕	+	⊕
26.2	25.4	24.7	22.9	20.5
+	+	+	+	+
30.3	30.0	28.7	27.1	24.2
⊕	+	⊕	+	⊕
34.9	35.3	33.3	32.1	28.4
+	+	+	+	+
39.7	38.1	38.4	35.0	32.5
⊕	+	⊕	+	⊕
44.6	39.6	43.4	37.1	37.2

Data calculated with GENESYS using bare lamp photometrics. Fixture spacing exceeding 5' may cause uneven lighting under lowest ceiling areas.

To convert lighting data for a lower wattage PAR 38 lamp of the **same type beam spread**, multiply the footcandle (or candlepower) values by the ratio of the lumens of the two lamps. The coefficients of utilization remain the same.



©2015 Koninklijke Philips N.V. All rights reserved.
 Philips reserves the right to make changes in specifications and/or to discontinue any product at any time without notice or obligation and will not be liable for any consequences resulting from the use of this publication.
philips.com/luminaires

Philips Lighting,
 North America Corporation
 200 Franklin Square Drive,
 Somerset, NJ 08873
 Tel. 855-486-2216

Imported by: Philips Lighting,
 A division of Philips Electronics Ltd.
 281 Hillmount Rd, Markham, ON,
 Canada L6C 2S3
 Tel. 800-668-9008