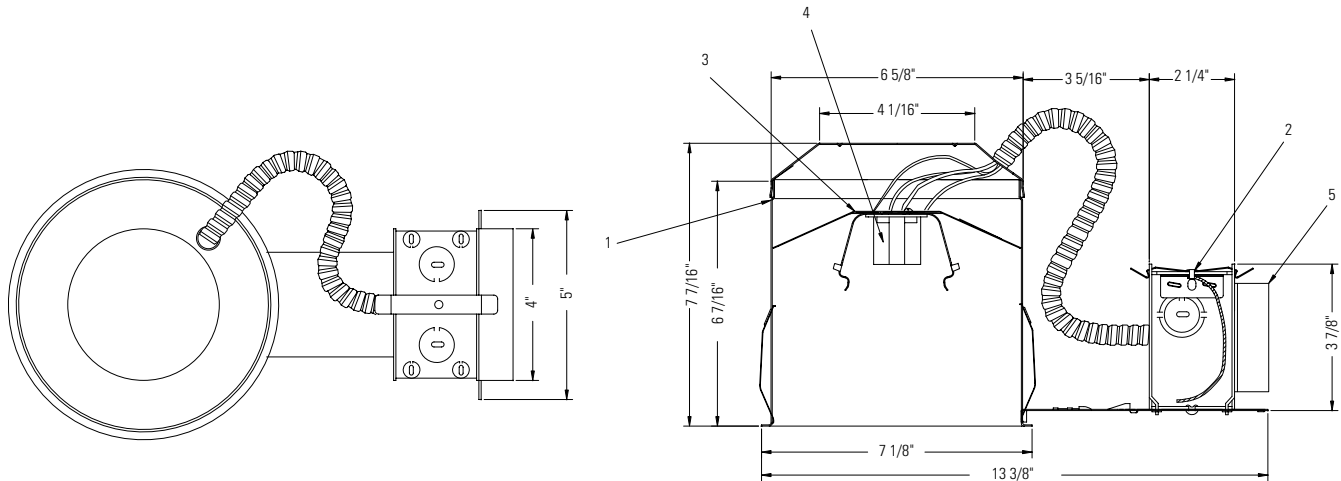


1104F13ESR

LyteCaster CFL 6³/₄", 1 Lt 13W Quad/Triple Tube, IC Remodeler Kit

Project:	Catalog No:	Mfg:
Location:	Fixture Type:	Qty:
Notes:		Lamps:



Ceiling Cutout: 7" diameter

Ordering guide Complete Fixture consists of Reflector Trim & Remodeler Kit. Select each separately.

example: 1104F13ESR + 1143

Remodeler Kit Series			Reflector Trims (See Individual Reflector Trim Specification Sheets)							
Catalog number	Voltage	Lamp	Anodized Open Downlights		Open Downlights			Enclosed Diffusers	Wall Washers	Cross Blade
1104F13ESR LyteCaster CFL 6 ³ / ₄ "	120V	13W Quad or Triple Tube	Reflector	Cone	Satin Cone	Baffles	Basic White	1121 1124 1126 1128** 1134 1177SH 1177LX** 1178SH 1178LX** 1190	1185 1186 1186WH 1135 1135WH	1132**
			1143	1112	1108	1105	1171			
			1144	1112NM	1108NM	1105BNM	1170M1			
			1144CD	1113	1110	1105NM				
				1113BK	1110NM	1105WH				
				1113BKNM		1176				
				1113CD		1176WH				
				1113CDNM		1179M1				
				1113NM		1179WH				
				1113WH						

* Recommend Triple Tube Lamp for Optimal Performance

** Use Triple Tube Lamp Only.

Features

- Housing:** .032" (#20 ga.) UL listed for direct contact with thermal insulation. Allows installation in ceilings up to 2" thick. Can be removed for access to junction box, ballast and ceiling plenum. AirSeal® housing minimizes air leakage to less than 2 CFM at 1.57 PSF (or 75pa), which complies with Model Energy Code (Section 602.3.3) and Washington State Energy Code (Section 502.4) and reduces heat loss and condensation in ceiling.
- Junction Box:** 2" X 4" X 3 1/2" (22 cu. in.) .032" (#22 ga.) galvanized steel. UL listed for branch circuit wiring supplying connected luminaires. Cable clamp permit attachment of non-metallic (#12 or #14 ga.) Romex® cable without tools or additional connectors.
- Socket Housing:** Trim retaining spring secures trim to any height on housing wall.

- Socket:** (4 Pin, GX24q-1) base, molded thermo-plastic. Pre-wired with #18 AWG leads to junction box.
- Ballast:** Electronic 120V, end of life protected, FCC class "B" consumer limits, class "A" sound rating.

Electrical

Input Watts: 16
Amps: .13
Ballast Factor: 1.0
Power Factor: .96
Max THD %: 10
Min Start Temp: 0°F / -18°C

Options and Accessories

AirSeal® Kit: LAS56R (optional)
 (required for AirSeal Installation)

Labels

UL (Type IC Suitable for Damp Locations).
 Complies with Air Leakage Requirements stated in the Model Energy Code and the Washington State Energy Code. Romex is a registered trademark of General Cable Industries Inc.