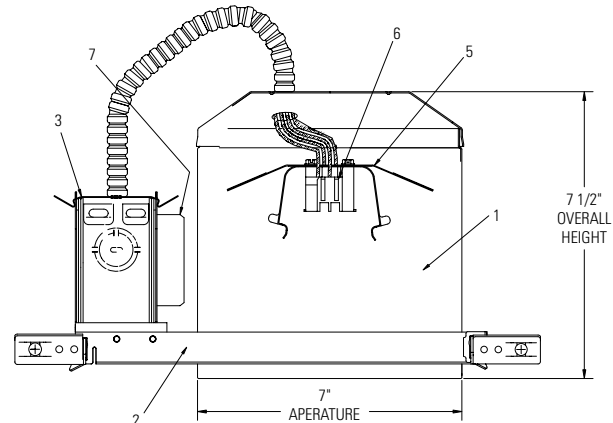
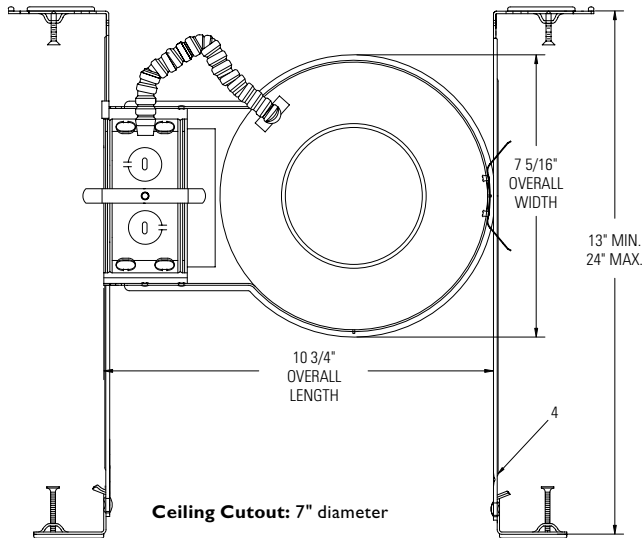


# 1104F18ES

## LyteCaster CFL 6<sup>3</sup>/<sub>4</sub>", 1 Lt 18W Quad/Triple Tube, IC Frame-In Kit

Page 1 of 1

Project:	Catalog No:	Mfg:
Location:	Fixture Type:	Qty:
Notes:		Lamps:



**Ordering guide** Complete Fixture consists of Reflector Trim & Frame-In Kit. Select each separately.

**example:** 1104F18ES + 1143

Frame-In Kit Series			Reflector Trims (See Individual Reflector Trim Specification Sheets)							
Catalog number	Voltage	Lamp	Anodized Open Downlights		Open Downlights			Enclosed Diffusers	Wall Washers	Cross Blade
<b>1104F18ES</b> LyteCaster CFL 6 <sup>3</sup> / <sub>4</sub> "	120V	18W Quad or Triple Tube	Reflector	Cone	Satin Cone	Baffles	Basic White			
<b>1104F18ESN</b> LyteCaster CFL 6 <sup>3</sup> / <sub>4</sub> " (with nails)			<b>1143</b>	<b>1112</b>	<b>1108</b>	<b>1105</b>	<b>1171</b>	<b>1121</b>	<b>1185</b>	<b>1132**</b>
			<b>1144</b>	<b>1112NM</b>	<b>1108NM</b>	<b>1105BNM</b>	<b>1170M1</b>	<b>1124</b>	<b>1186</b>	
			<b>1144CD</b>	<b>1113</b>	<b>1110</b>	<b>1105NM</b>		<b>1126**</b>	<b>1186WH</b>	
				<b>1113BK</b>	<b>1110NM</b>	<b>1105WH</b>		<b>1128**</b>	<b>1135</b>	
				<b>1113BKNM</b>		<b>1176</b>		<b>1134</b>	<b>1135WH</b>	
				<b>1113CD</b>		<b>1176WH</b>		<b>1177SH</b>		
				<b>1113CDNM</b>		<b>1179M1*</b>		<b>1177LX**</b>		
				<b>1113NM</b>		<b>1179WH*</b>		<b>1178SH</b>		
				<b>1113WH</b>				<b>1190**</b>		

\* Recommend Triple Tube Lamp for Optimal Performance

\*\* Use Triple Tube Lamp Only.

### Features

- Housing:** .032" (#20 ga.) UL listed for direct contact with thermal insulation. Allows installation in ceilings up to 2" thick. Can be removed for access to junction box, ballast and ceiling plenum. AirSeal® housing minimizes air leakage to less than 2 CFM at 1.57 PSF (or 75pa), which complies with Model Energy Code (Section 602.3.3) and Washington State Energy Code (Section 502.4) and reduces heat loss and condensation in ceiling.
- Mounting Frame:** .048" (#18 ga.) galvanized steel. Locks into position along length of mounting bars with locking spring and bendable slot. (3) slots 90° apart simplify alignment.
- Junction Box:** 2" X 4" X 3 1/2" (22 cu. in.) .032" (#22 ga.) galvanized steel. UL listed for branch circuit wiring supplying connected luminaires. Cable clamp permit attachment of non-metallic (#12 or #14 ga.) Romex® cable without tools or additional connectors.
- Mounting Bars:** .059" (#16 ga.) galvanized steel. Bars pivot for easy attachment and wire-in below ceiling line. Bars extend to accommodate 16" to 24" O.C. joist spacing. Bars can accommodate 9" O.C. joist spacing after a slight field modification (see Instruction Sheet). Features integral self-tapping phillips screws or nails for secure attachment to wood or metal construction. Attaches to T-bar ceilings without the need of accessories.
- Socket Housing:** Trim retaining spring secures trim to any height on housing wall.
- Socket:** (4 Pin, GX24q-2) base, molded thermoplastic. Pre-wired with #18 AWG leads to junction box.
- Ballast:** Electronic 120V, end of life protected, FCC class "B" consumer limits, class "A" sound rating.

### Electrical

**Input Watts:** 19  
**Amps:** .16  
**Ballast Factor:** 1.0  
**Power Factor:** .97  
**Max THD %:** 10  
**Min Start Temp:** 0°F / -18°C

### Options and Accessories

**AirSeal Kit:** LAS56 (optional)  
 Use only if factory installed tape or knockouts are removed from vertical adjustment slots in housing wall.

### Labels

UL (Type IC Suitable for Damp Locations).  
 Complies with Air Leakage Requirements stated in the Model Energy Code and the Washington State Energy Code. Romex is a registered trademark of General Cable Industries Inc.