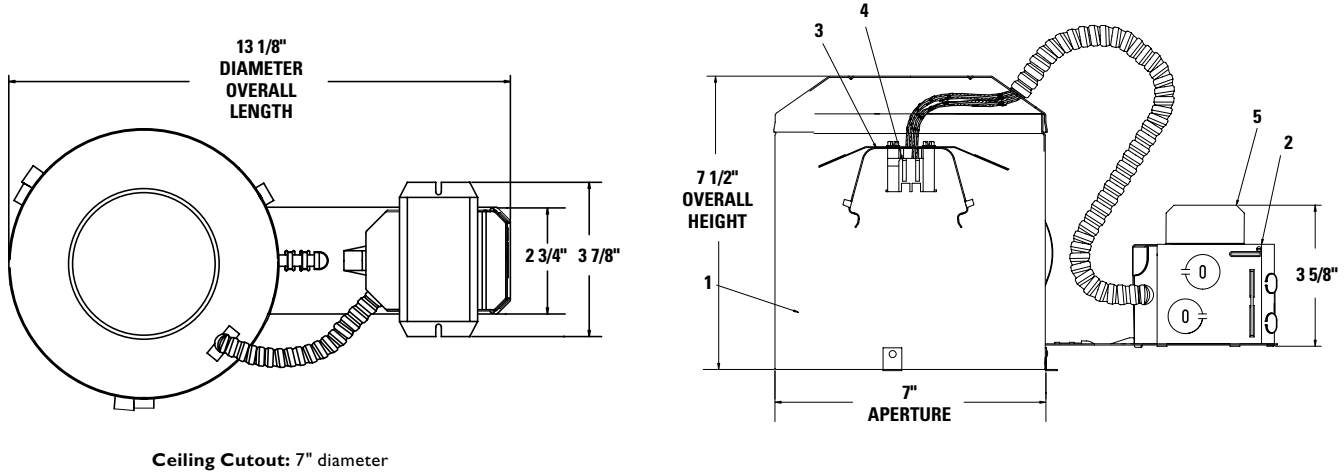


# 1104F18ESR

## LyteCaster CFL 6<sup>3</sup>/<sub>4</sub>", 1 Lt 18W Quad/Triple Tube, IC Remodeler Kit

Page 1 of 1

Project:	Catalog No:	Mfg:
Location:	Fixture Type:	Qty:
Notes:		Lamps:



Ceiling Cutout: 7" diameter

**Ordering guide** Complete Fixture consists of Reflector Trim & Remodeler Kit. Select each separately.

example: 1104F18ESR + 1143

Remodeler Kit Series				Reflector Trims (See Individual Reflector Trim Specification Sheets)							
Catalog number	Voltage	Lamp	Anodized Open Downlights	Open Downlights			Enclosed Diffusers	Wall Washers	Cross Blade		
1104F18ESR	LyteCaster CFL 6 <sup>3</sup> / <sub>4</sub> "	120V	18W Quad or Triple Tube	Reflector	Cone	Satin Cone	Baffles	Basic White			
				1143	1112	1108	1105	1171	1121	1185	1132**
				1144	1112NM	1108NM	1105BNM	1170M1	1124	1186	
				1144CD	1113	1110	1105NM		1126**	1186WH	
					1113BK	1110NM	1105WH		1128**	1135	
					1113BKNM		1176		1134	1135WH	
					1113CD		1176WH				
					1113CDNM		1179M1*				
					1113NM		1179WH*				
					1113WH						

\* Recommend Triple Tube Lamp for Optimal Performance

\*\* Use Triple Tube Lamp Only.

### Features

- Housing:** .032" (#20 ga.) UL listed for direct contact with thermal insulation. Allows installation in ceilings up to 2" thick. Can be removed for access to junction box, ballast and ceiling plenum. AirSeal® housing minimizes air leakage to less than 2 CFM at 1.57 PSF (or 75pa), which complies with Model Energy Code (Section 602.3.3) and Washington State Energy Code (Section 502.4) and reduces heat loss and condensation in ceiling.
- Junction Box:** 2" X 4 1/2" X 3 1/2" (22 cu. in.) .032" (#22 ga.) galvanized steel. UL listed for branch circuit wiring supplying connected luminaires. Cable clamp permit attachment of non-metallic (#12 or #14 ga.) Romex® cable without tools or additional connectors.
- Socket Housing:** Trim retaining spring secures trim to any height on housing wall.
- Socket:** (4 Pin, GX24q-2) base, molded thermo-plastic. Pre-wired with #18 AWG leads to junction box.
- Ballast:** Electronic 120V, end of life protected, FCC class "B" consumer limits, class "A" sound rating.

### Electrical

Input Watts: 19

Amps: .16

Ballast Factor: 1.0

Power Factor: .97

### Options and Accessories

AirSeal Kit: LAS56R

(Required for AirSeal installation.)

### Labels

UL (Type IC Suitable for Damp Locations)

Complies with Air Leakage Requirements stated in the Model Energy Code and the Washington State Energy Code. Romex is a registered trademark of General Cable Industries Inc.