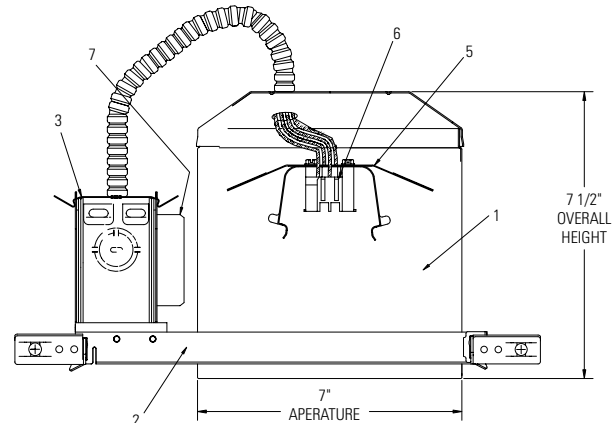
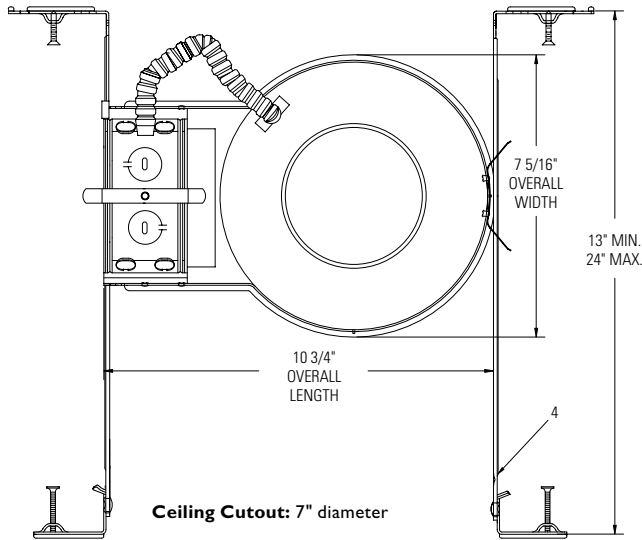


# 1104F2632ES

## LyteCaster CFL 6 3/4", 1 Lt 26/32W Quad/Triple Tube, IC Frame-In Kit

Project:	Catalog No:	Mfg:
Location:	Fixture Type:	Qty:
Notes:		Lamps:



**Ordering guide** Complete Fixture consists of Reflector Trim & Frame-In Kit. Select each separately.

**example:** 1104F2632ES + 1143

Frame-In Kit Series				Reflector Trims (See Individual Reflector Trim Specification Sheets)						
Catalog number		Voltage	Lamp	Anodized Open Downlights		Open Downlights			Enclosed Diffusers	Wall Washers
1104F2632ES	LyteCaster CFL 6 3/4"	120V	26/32W Quad or Triple Tube	Reflector	Cone	Satin Cone	Baffles	Basic White		
1104F2632ESN	LyteCaster CFL 6 3/4" (with nails)			1143*	1112	1108	1105	1171*	1121	1185**
				1144*	1112NM	1108NM	1105BNM	1170M1	1124	
		1144CD*	1113	1110	1105NM		1134			
			1113BK	1110NM	1105WH		1177SH**			
			1113BKNM		1176		1178SH			
			1113CD		1176WH		1190**			
			1113CDNM							
			1113NM							
			1113WH							

\* Recommend Triple Tube Lamp for Optimal Performance

\*\* Use 26W Triple Tube Lamp Only.

### Features

- Housing:** .032" (#20 ga.) UL listed for direct contact with thermal insulation. Allows installation in ceilings up to 2" thick. Can be removed for access to junction box, ballast and ceiling plenum. AirSeal® housing minimizes air leakage to less than 2 CFM at 1.57 PSF (or 75pa), which complies with Model Energy Code (Section 602.3.3) and Washington State Energy Code (Section 502.4) and reduces heat loss and condensation in ceiling.
- Mounting Frame:** .048" (#18 ga.) galvanized steel. Locks into position along length of mounting bars with locking spring and bendable slot. (3) slots 90° apart simplify alignment.
- Junction Box:** 2" X 4" X 3 1/2" (22 cu. in.) .032" (#22 ga.) galvanized steel. UL listed for branch circuit wiring supplying connected luminaires. Cable clamp permit attachment of non-metallic (#12 or #14 ga.) Romex® cable without tools or additional connectors.
- Mounting Bars:** .059" (#16 ga.) galvanized steel. Bars pivot for easy attachment and wire-in below ceiling line. Bars extend to accommodate 16" to 24" O.C. joist spacing. Bars can accommodate 9" O.C. joist spacing after a slight field modification (see Instruction Sheet). Features integral self-tapping phillips screws for secure attachment to wood or metal construction. Attaches to T-bar ceilings without the need of accessories.
- Socket Housing:** Trim retaining spring secures trim to any height on housing wall.
- Socket:** (4 Pin, GX24q-3) base, molded thermo-plastic. Pre-wired with #18 AWG leads to junction box.
- Ballast:** Electronic 120V, end of life protected, FCC class "B" consumer limits, class "A" sound rating.

### Electrical

**Input Watts:** 27  
**Amps:** .47  
**Ballast Factor:** 1.0  
**Power Factor:** .98  
**Max THD %:** 10  
**Min Start Temp:** 0°F / -18°C

### Options and Accessories

**AirSeal Kit:** LAS56 (Optional)

Use only if factory installed tape or knockouts are removed from vertical adjustment slots in housing wall.

### Labels

UL (Type IC Suitable for Damp Locations). Complies with Air Leakage Requirements stated in the Model Energy Code and the Washington State Energy Code. Romex is a registered trademark of General Cable Industries Inc.