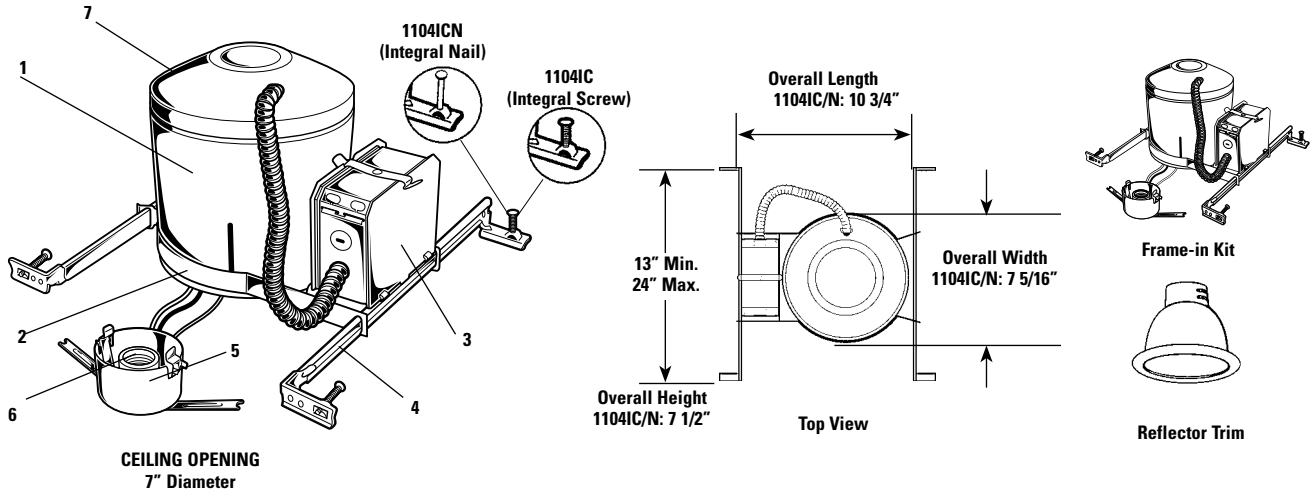


# Lytecaster® Recessed Downlighting **1104IC**

Page 1 of 1

6 3/4" Apertures **LyteLighting®** Incandescent Convertible IC/Non-IC Frame-In Kit



Complete Fixture consists of Reflector Trim & Frame-In Kit. Select each separately.

Frame-In Kit	Reflector Trims — See Individual Reflector Trim Specification Sheets									
	Open Downlight									
	Reflector	Cone	Satin Cone	Cross Blade	Baffles	Basic White	Eyeball	Enclosed Diffusers	Wall Washer	
1104IC										
1104ICQ**										
1104ICN										
1104ICNQ**										
	1143 1144 1144CD	1112† 1113† 1113BK† 1113CD† 1113WH	1108† 1110†	1132	1105 1105WH 1176 1176WH 1179M1 1179WH	1170M1 1171	1182	1121 1124 1126* 1128* 1134* 1177SH* 1178SH* 1177LX 1178LX 1190	1185* 1186* 1186WH*	
								Open Wet		
								1181WH 1181CD		

†Add NM to catalog number for Natural Metal flange and finish.

\* For Non-IC applications only.

\*\*Supplied with integral push-In wire connectors

## Features

- Housing:** .032 (#20 ga.) aluminum. UL listed convertible IC/NON-IC. 2" vertical adjustment in ceiling. Can be removed for access to junction box and ceiling plenum. AirSeal® housing minimizes air leakage to less than 2 CFM at 1.57 PSF (or 75pa), which complies with Model Energy Code (Section 602.3.3) and Washington State Energy Code (Section 502.4) and reduces heat loss and condensation in ceiling.
- Mounting Frame:** .048 (#18 ga.) galvanized steel. Locks into position along length of mounting bars with locking spring and bendable slot. (3) slots 90° apart simplify alignment.
- Junction Box:** 2" X 4" X 3 1/2" (22 cu. in.) .032 (#22 ga.) galvanized steel. UL listed for maximum of 8 (#12 ga.) through branch circuit conductors. Cable clamp permit attachment of non-metallic (#12 or #14 ga.) Romex® cable without tools or additional connectors.
- Mounting Bars:** .059 (#16 ga.) galvanized steel. Bars pivot for easy attachment and wire-in below ceiling line. Bars extend to accommodate 16" to 24" O.C. joist spacing. 1104IC features integral self-tapping phillips screws for secure attachment to wood or metal construction. The 1104ICN features integral nails for secure attachment to wood. Both attach to T-bar ceilings without the need of accessories.
- Socket Housing:** Impact extruded aluminum or galvanized steel. Attached trim retaining spring secures trim to any height on housing wall.
- Socket:** Porcelain medium base: nickel plated screw shell. Pre-wired with #18 ga. SF1 (300 VOLT 200° C) leads to junction box.
- Thermal Protector:** Meets NEC and UL requirements. Located inside housing.

## Options & Accessories

AirSeal® Kit: LAS56

## Options & Accessories (continued)

**Note:** Use only if factory installed tape or knockouts are removed from vertical adjustment slots in housing wall.

## Labels

UL (Type IC/NON-IC Convertible; Suitable for Damp Locations);  
Complies with Air Leakage Requirements stated in the Model Energy Code and the Washington State Energy Code.

AirSeal® is a registered trademark of Lightolier.

Romex® is a registered trademark of General Cable Industries Inc.

Job Information	Type:
<b>Job Name:</b>	
<b>Cat. No.:</b>	
<b>Lamp(s):</b>	
<b>Notes:</b>	

Lightolier a Genlyte company

www.lightolier.com

631 Airport Road, Fall River, MA 02720 • (508) 679-8131 • Fax (508) 674-4710

We reserve the right to change details of design, materials and finish.

© 2011 Genlyte Group LLC • K0314

**LIGHTOLIER®**