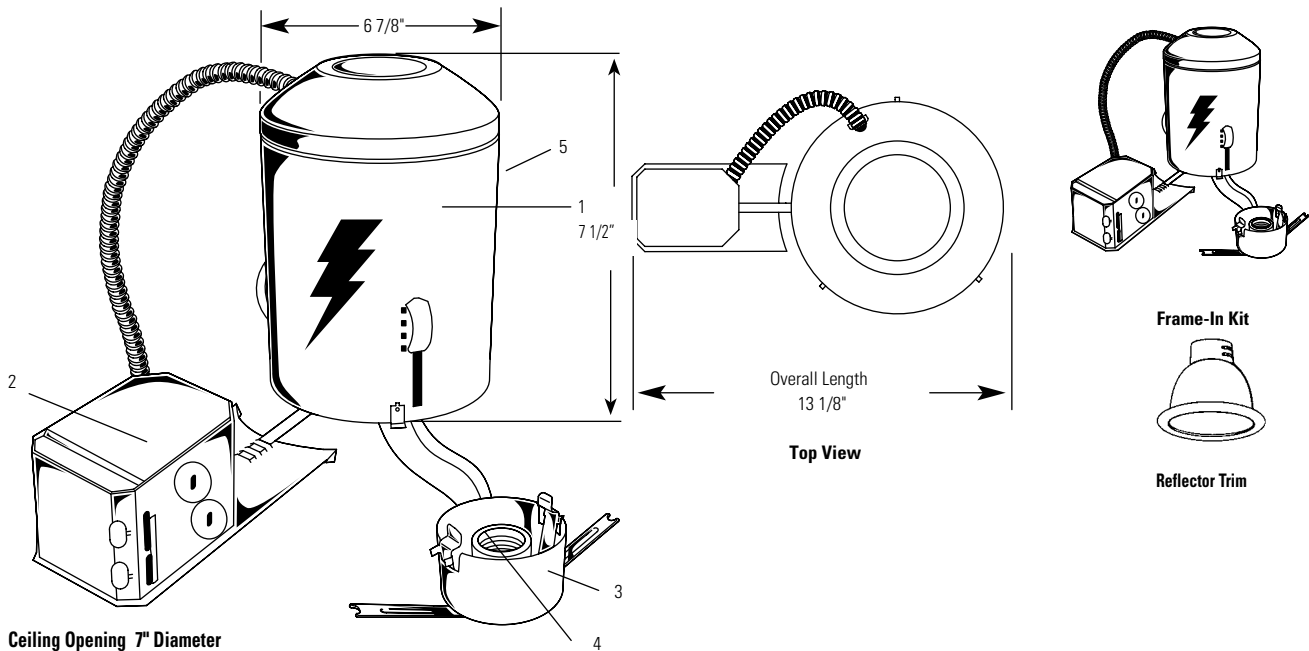


Lytecaster® Recessed Downlighting **1104ICR**

Page 1 of 1

6 3/4" Aperture **Lyte™** Incandescent Convertible IC/Non-IC Remodeler Frame-In Kit



Ceiling Opening 7" Diameter

Complete Fixture consists of Reflector Trim & Frame In Kit. Select each separately

| Frame-In Kit | Reflector Trims — See Individual Reflector Trim Specification Sheets | | | | | | | | |
|--------------|--|---|----------------|---------------|--|----------------|---------|---|---------------------------|
| 1104ICR | Open Downlight | | | | | | Eyeball | Enclosed Diffusers | Wall Washer |
| | Specular Reflector | Specular Cone | Satin Cone | Cross Blade | Baffles | Basic White | | | |
| | 1143 1144 1144CD | 1112† 1113† 1113BK† 1113CD† 1113WH† | 1108† 1110† | 1132 1132A | 1105† 1105WH 1176 1176WH 1176PB 1179M1 1179WH 1105BNM | 1170M1 1171 | 1182 | 1121 1124 1126* 1128* 1134* 1177SH* 1178SH* 1177LX 1178LX 1190 | 1185* 1186* 1186WH* |
| | | | | | | | | Open Wet | |
| | | | | | | | | 1181WH 1181CD | |

†Add NM to catalog number for Natural Metal flange and finish.

* For Non-IC applications only.

Features

- Housing:** .032 (#20 ga.) Aluminum. U.L. listed convertible IC/NON-IC. Integral retaining spring secures housing to ceilings up to 2" thick. Removable for access to junction box and ceiling plenum.
- Junction Box:** 2 1/2" X 2 1/2" X 3 1/2" (21 cu. in.) .032 (#22 ga.) galvanized steel. U.L. listed for 90°C supply wire. Cable clamp permit attachment of non-metallic (#12 or #14 ga.) Romex® cable without tools or additional connectors.
- Socket Housing:** Impact extruded aluminum or galvanized steel. Attached trim retaining spring secures trim to any height on housing wall.
- Socket:** Porcelain medium base; nickel plated screw shell. Pre-wired with #18 ga. SF1 (300 VOLT 200°C) leads to junction box.
- Thermal protector:** Meets NEC and U.L. requirements. Located inside housing.

Options & Accessories

AirSeal® Kit: **LAS56R**
(Required for AirSeal® installation)

Labels

UL (Type IC/NON-IC Convertible, Suitable for Damp Locations).

Romex® is a registered trademark of General Cable Industries Inc.

| Job Information | Type: |
|------------------|-------|
| Job Name: | |
| Cat. No.: | |
| Lamp(s): | |
| Notes: | |

Lightolier a Genlyte company www.lightolier.com
631 Airport Road, Fall River, MA 02720 • (508) 679-8131 • Fax (508) 674-4710
We reserve the right to change details of design, materials and finish.
© 2011 Genlyte Group LLC • J0314

LIGHTOLIER®